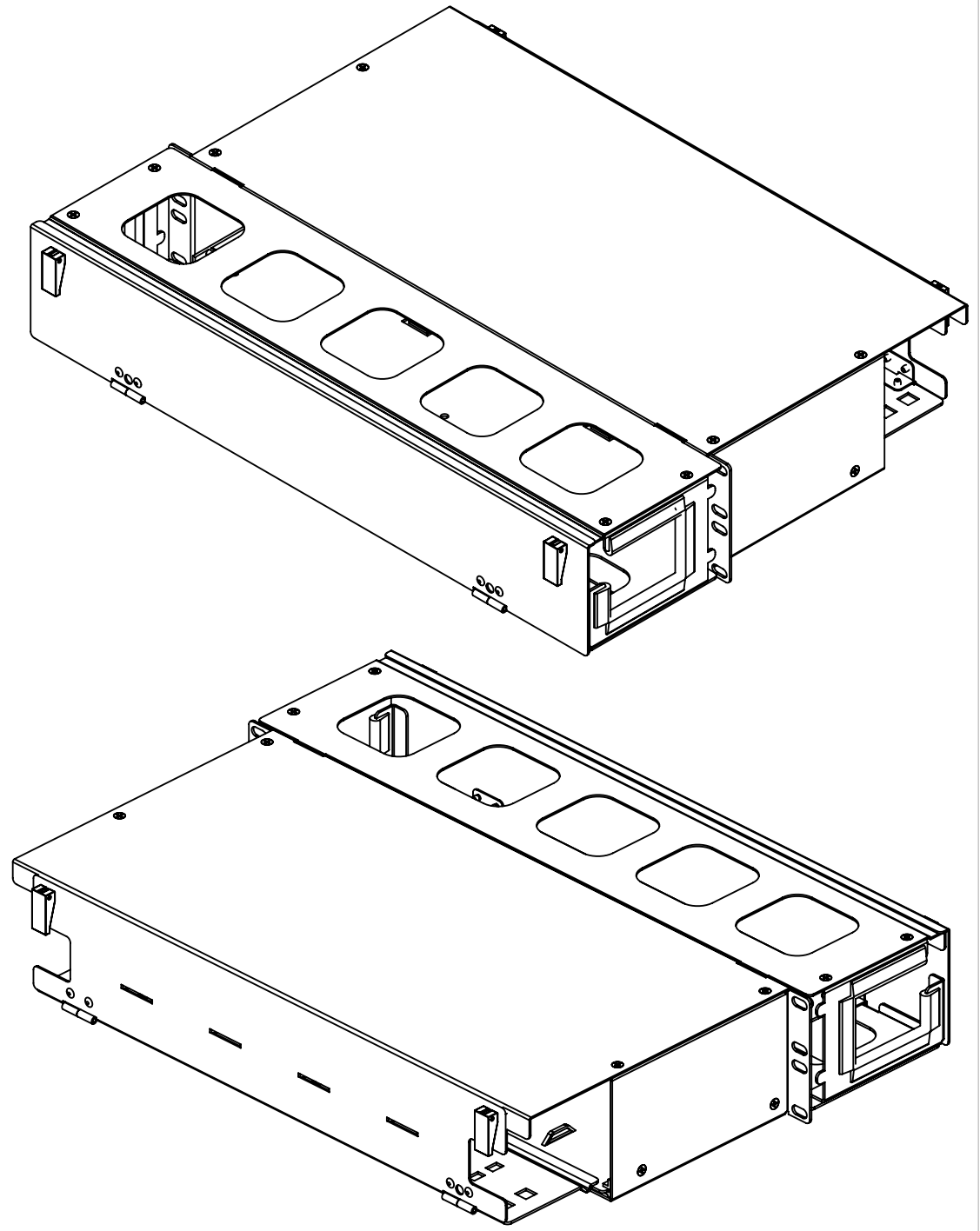
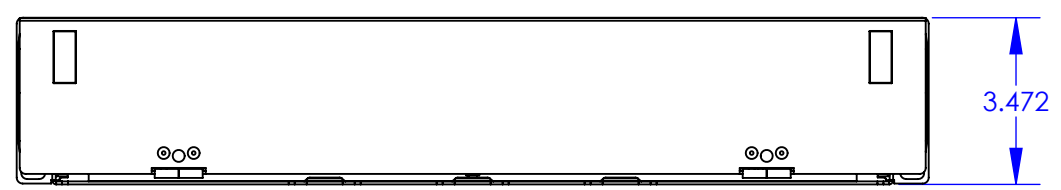
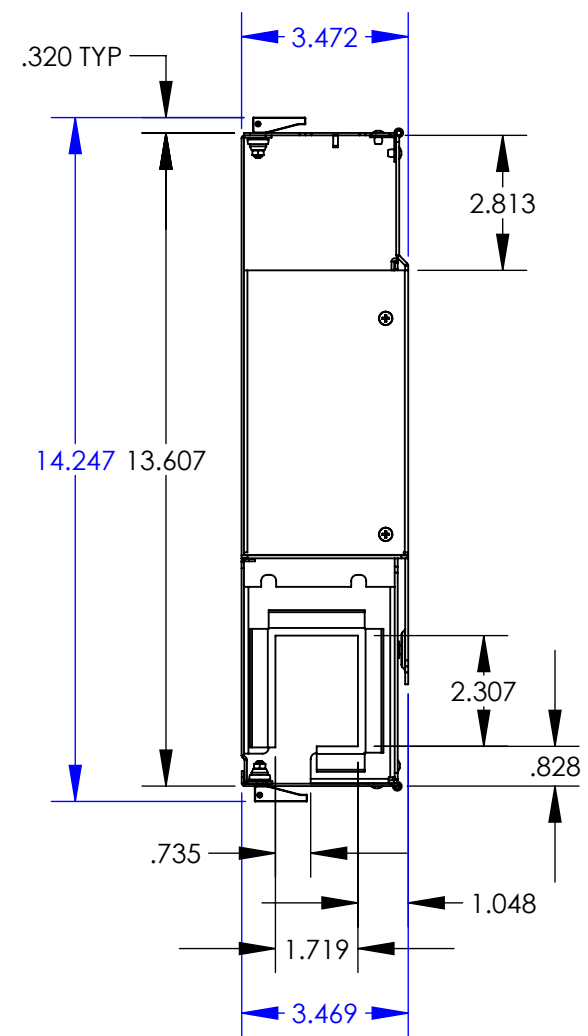
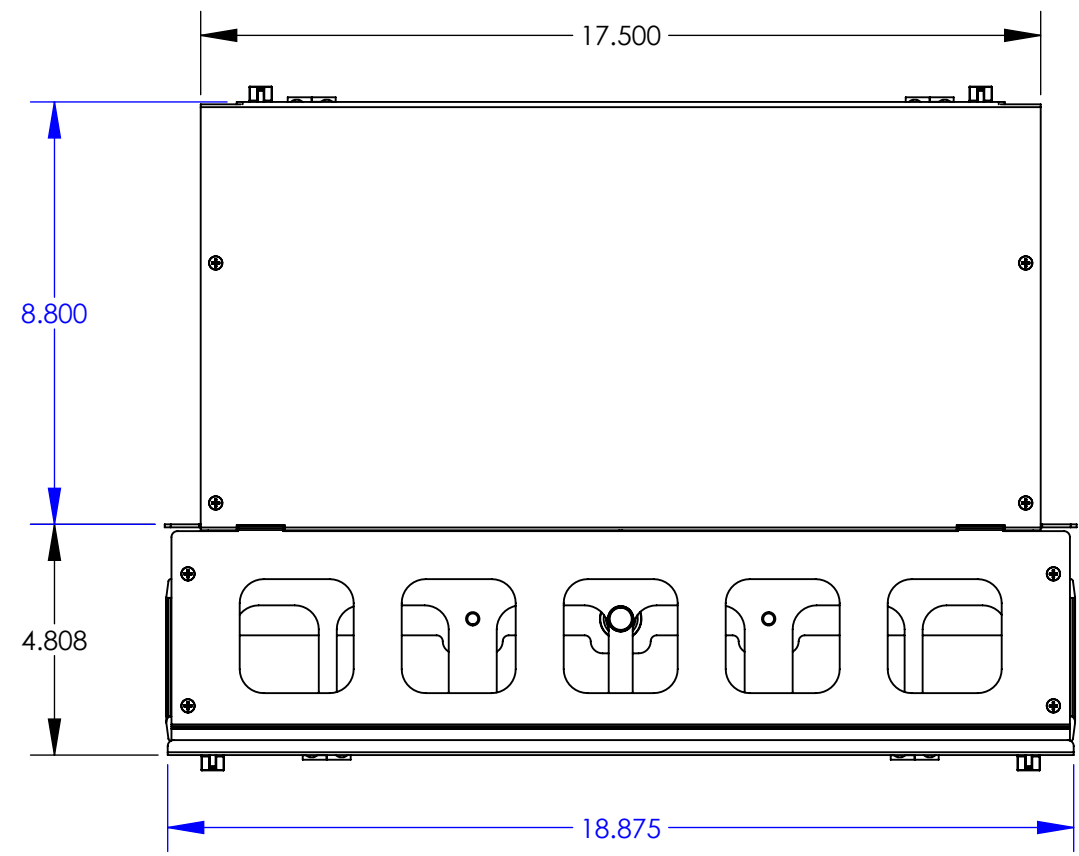
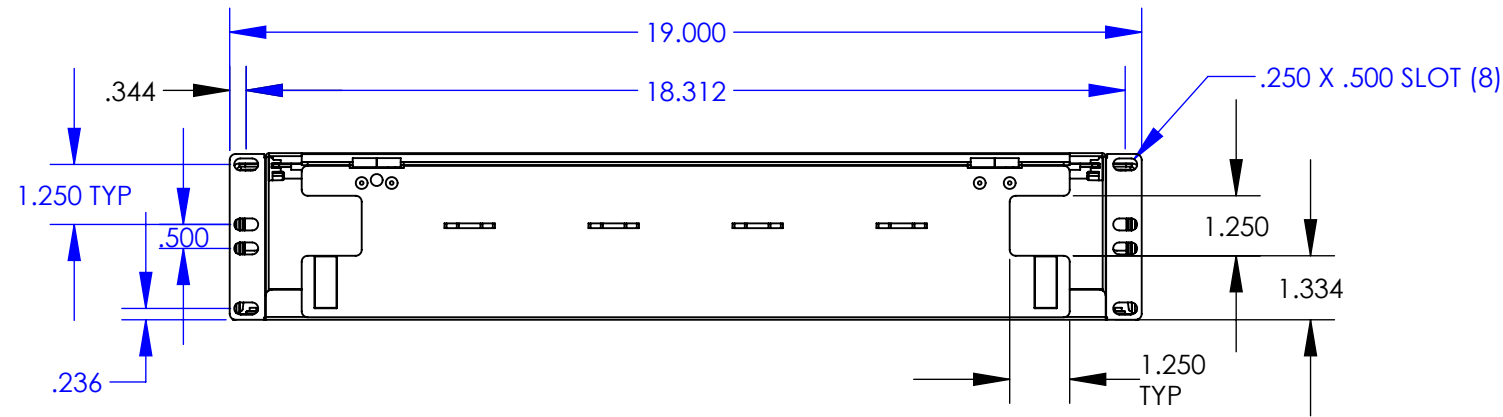


REV.	ECN #	DESCRIPTION OF CHANGE	DATE	BY	MFG ENG
01	N/A	INITIAL RELEASE	08/29/13	SAB	



UNLESS OTHERWISE SPECIFIED  
DIMENSIONS ARE IN INCHES  
TOLERANCES ARE:  
FRACTIONS: DECIMALS: ANGLES:  
±1/32 .XX=±.03 ±1°  
.XXX=±.010

ALL FLATS TO BE ±.005

**NO SHARP EDGES OR  
BURRS ALLOWED**

MATERIAL:  
**SEE B.O.M.**

FINISH:  
**QUAKER-40 BRONZE**

DO NOT SCALE DRAWING

THIS DOCUMENT AND THE INFORMATION  
CONTAINED THEREIN ARE CONFIDENTIAL  
& PROPRIETARY TO MULTILINK AND MAY  
NOT BE COPIED OR DISCLOSED TO OTHERS  
WITHOUT A WRITTEN CONSENT FROM  
MULTILINK. THE INFORMATION IS TO BE  
PROMPTLY RETURNED TO MULTILINK UPON  
REQUEST.

DRAWN BY: **SAB** DATE: **08/29/2013**

CHECKED: DATE:

MFG ENG: DATE:

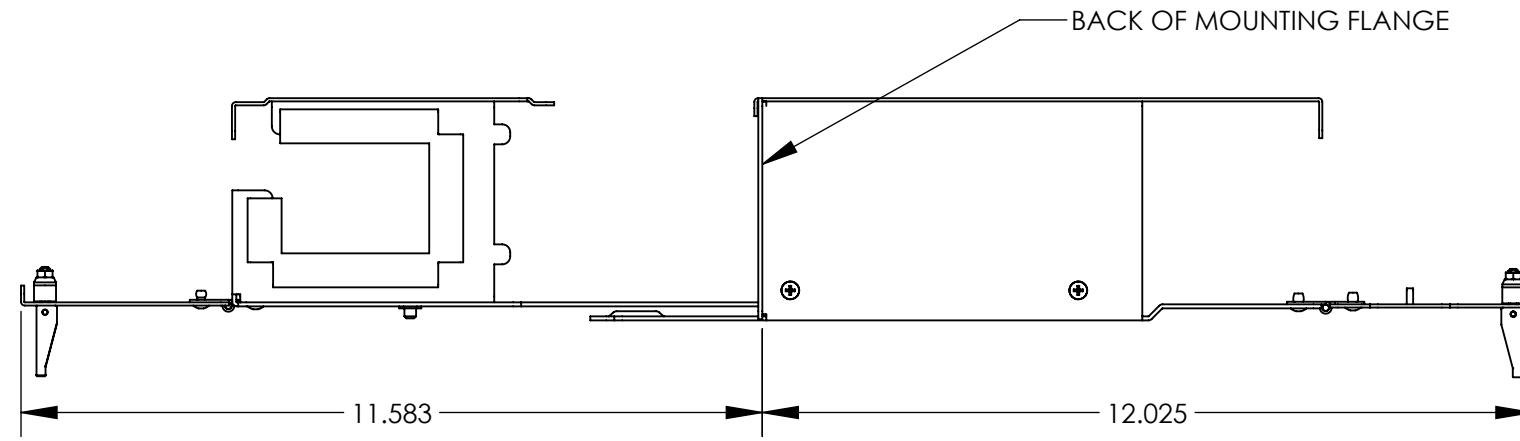
QUALITY ENG: DATE:



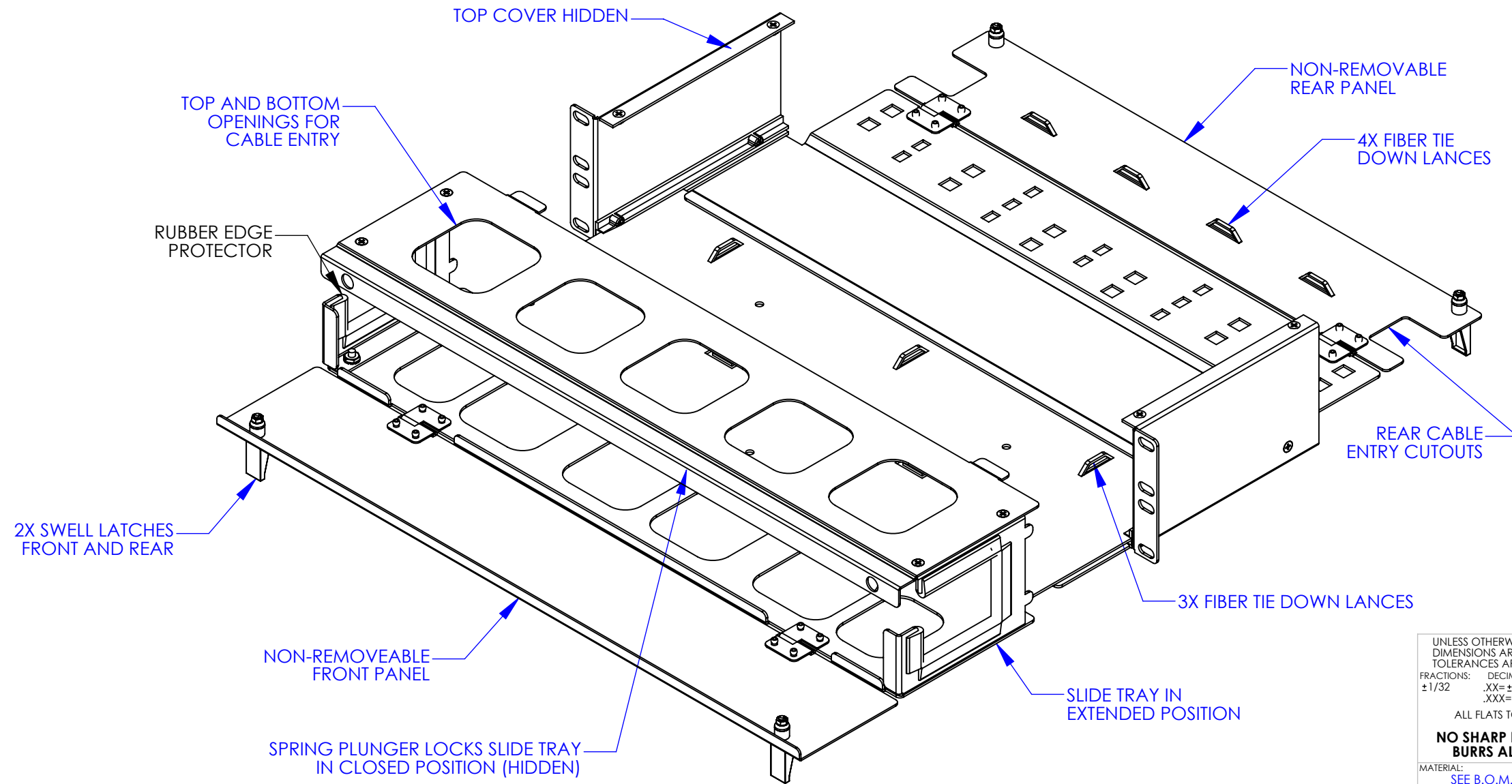
FRM-2RU-XX BRZ  
W/SIGNATURE LOGO

SIZE <b>B</b>	DWG. NO. 045-778-00REF	REV. <b>01</b>
SCALE: 1:4	CAD FILE: 045-778-00REF	SHEET: 1 OF 2

REV.	ECN #	DESCRIPTION OF CHANGE	DATE	BY	MFG ENG
01	N/A	INITIAL RELEASE	08/29/13	SAB	



DOORS OPEN, TRAY EXTENDED



UNLESS OTHERWISE SPECIFIED  
DIMENSIONS ARE IN INCHES  
TOLERANCES ARE:  
FRACTIONS: DECIMALS: ANGLES:  
±1/32 .XX=±.03 ±1°  
.XXX=±.010

ALL FLATS TO BE ±.005

**NO SHARP EDGES OR  
BURRS ALLOWED**

MATERIAL:  
SEE B.O.M.

FINISH:  
QUAKER-40 BRONZE

DO NOT SCALE DRAWING

THIS DOCUMENT AND THE INFORMATION  
CONTAINED THEREIN ARE CONFIDENTIAL  
& PROPRIETARY TO MULTILINK AND MAY  
NOT BE COPIED OR DISCLOSED TO OTHERS  
WITHOUT A WRITTEN CONSENT FROM  
MULTILINK. THE INFORMATION IS TO BE  
PROMPTLY RETURNED TO MULTILINK UPON  
REQUEST.

DRAWN BY: DATE:  
SAB 08/29/2013

CHECKED: DATE:

MFG ENG: DATE:

QUALITY ENG: DATE:

**Multilink**

FRM-2RU-XX BRZ  
W/SIGNATURE LOGO

SIZE DWG. NO. REV.  
B 045-778-00REF 01

SCALE: 1:3 CAD FILE: 045-778-00REF SHEET: 2 OF 2