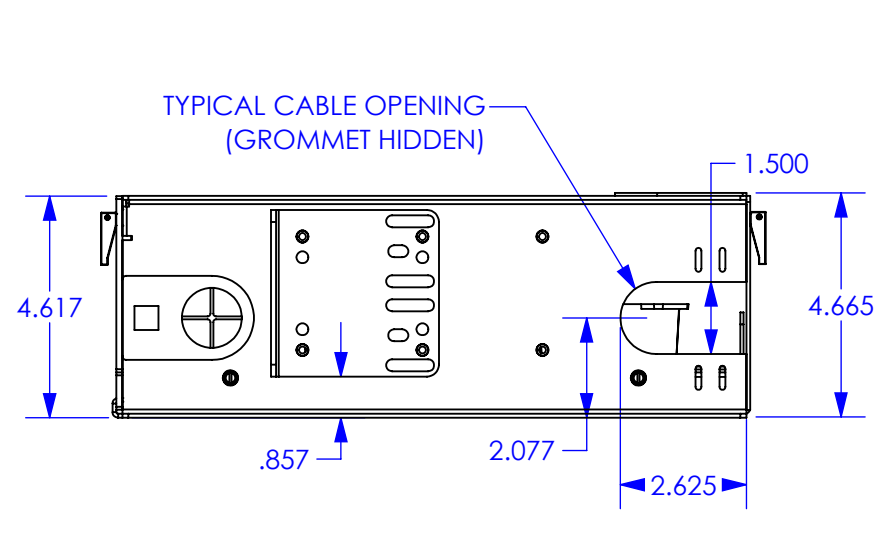
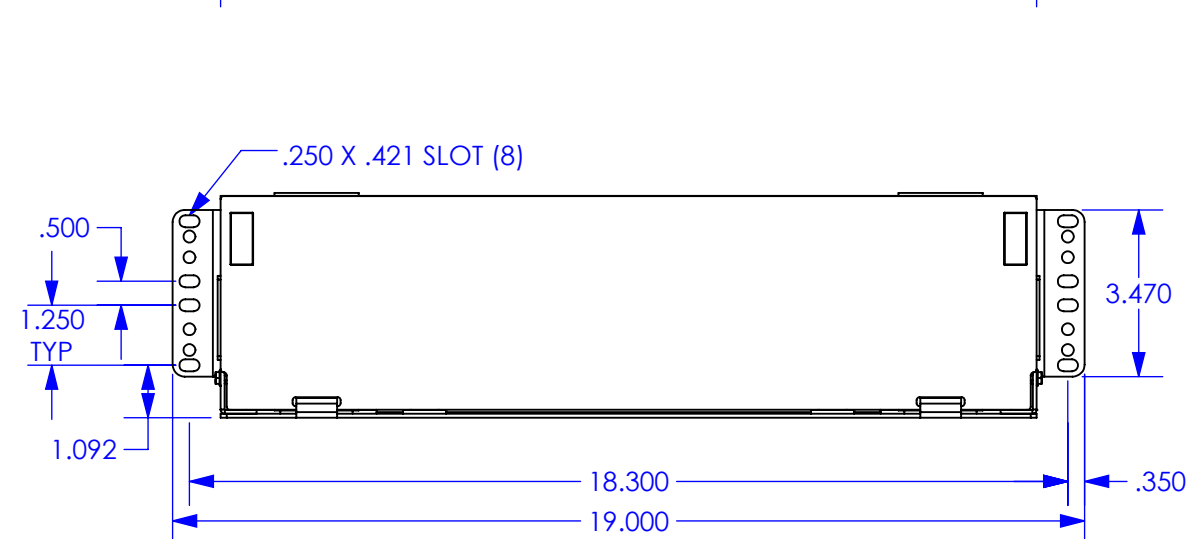
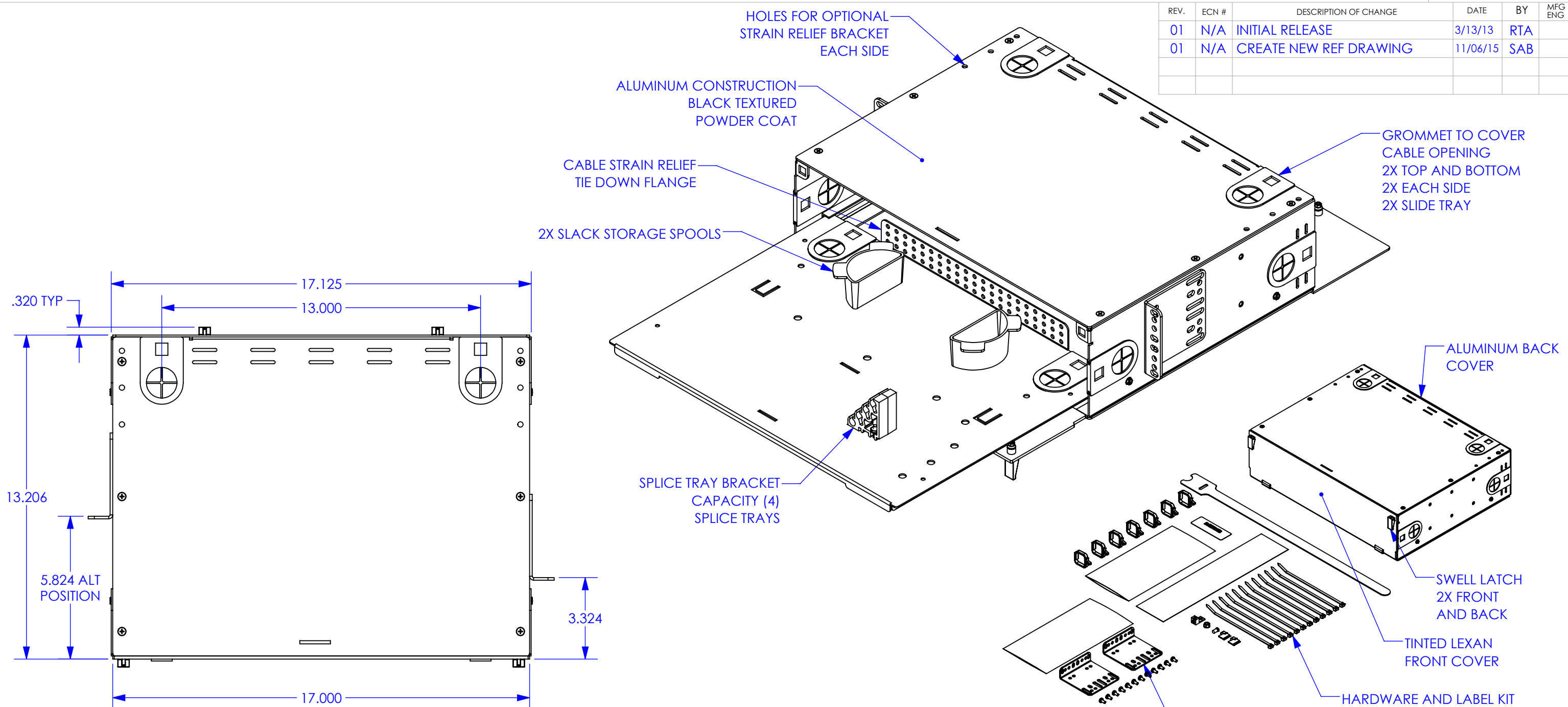


REV.	ECN #	DESCRIPTION OF CHANGE	DATE	BY	MFG ENG
01	N/A	INITIAL RELEASE	3/13/13	RTA	
01	N/A	CREATE NEW REF DRAWING	11/06/15	SAB	



UNLESS OTHERWISE SPECIFIED DIMENSIONS ARE IN INCHES TOLERANCES ARE:  
 FRACTIONS: DECIMALS: ANGLES:  
 ±1/32 .XX±.03 ±1°  
 .XXX±.010  
 ALL FLATS TO BE ±.005  
**NO SHARP EDGES OR BURRS ALLOWED**  
 MATERIAL: SEE B.O.M.  
 FINISH: BLACK TEXTURED  
 DO NOT SCALE DRAWING

THIS DOCUMENT AND THE INFORMATION CONTAINED THEREIN ARE CONFIDENTIAL & PROPRIETARY TO MULTILINK AND MAY NOT BE COPIED OR DISCLOSED TO OTHERS WITHOUT A WRITTEN CONSENT FROM MULTILINK. THE INFORMATION IS TO BE PROMPTLY RETURNED TO MULTILINK UPON REQUEST.  
 DRAWN BY: RTA DATE: 3/13/2013  
 CHECKED: DATE:  
 MFG ENG: DATE:  
 QUALITY ENG: DATE:

**Multilink**

FRM-3RU-SS BK  
 W/O SPLICE TRAY

SIZE **B** DWG. NO. 045-782-10REF REV. 01  
 SCALE: 1:4 CAD FILE: 045-782-10REF SHEET: 1 OF 1