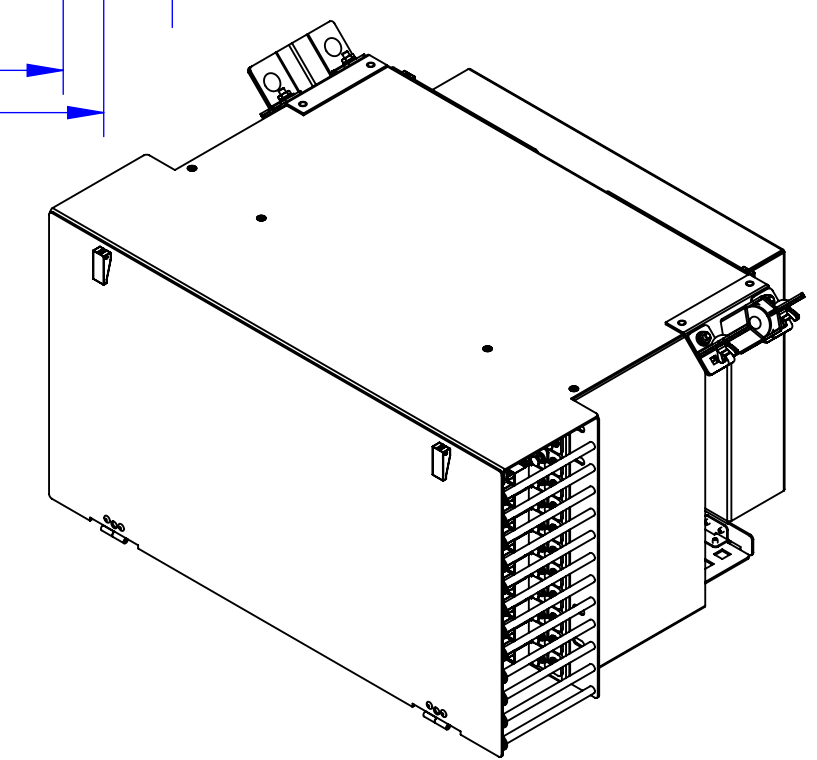
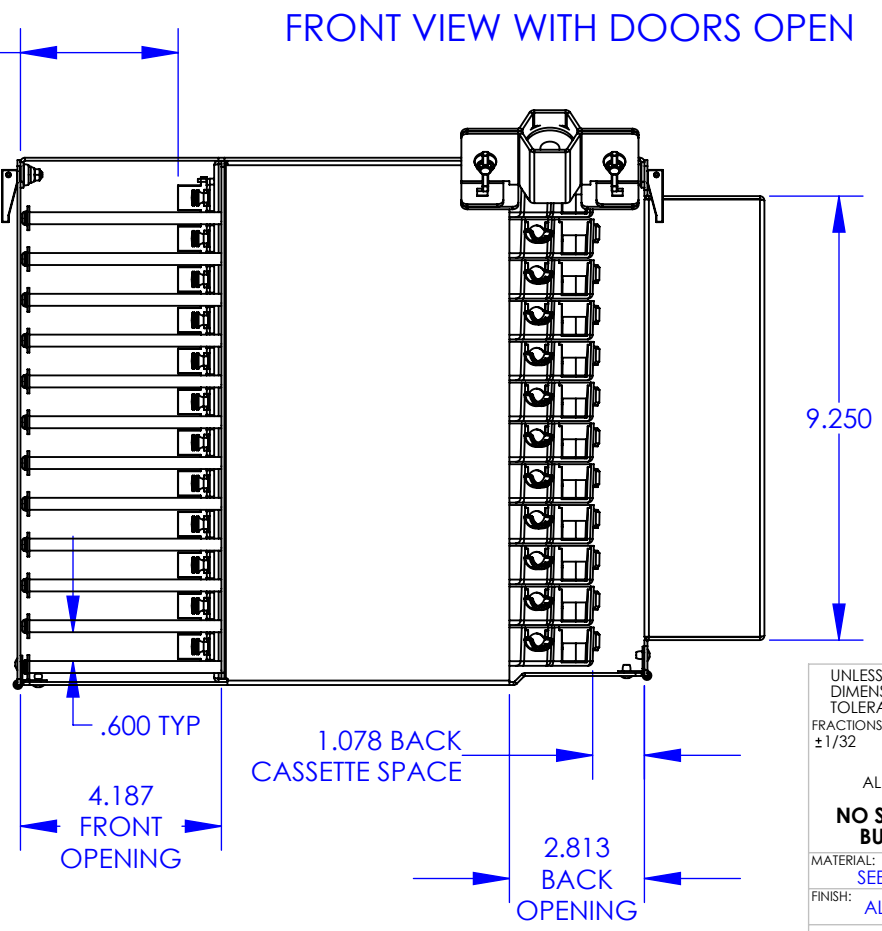
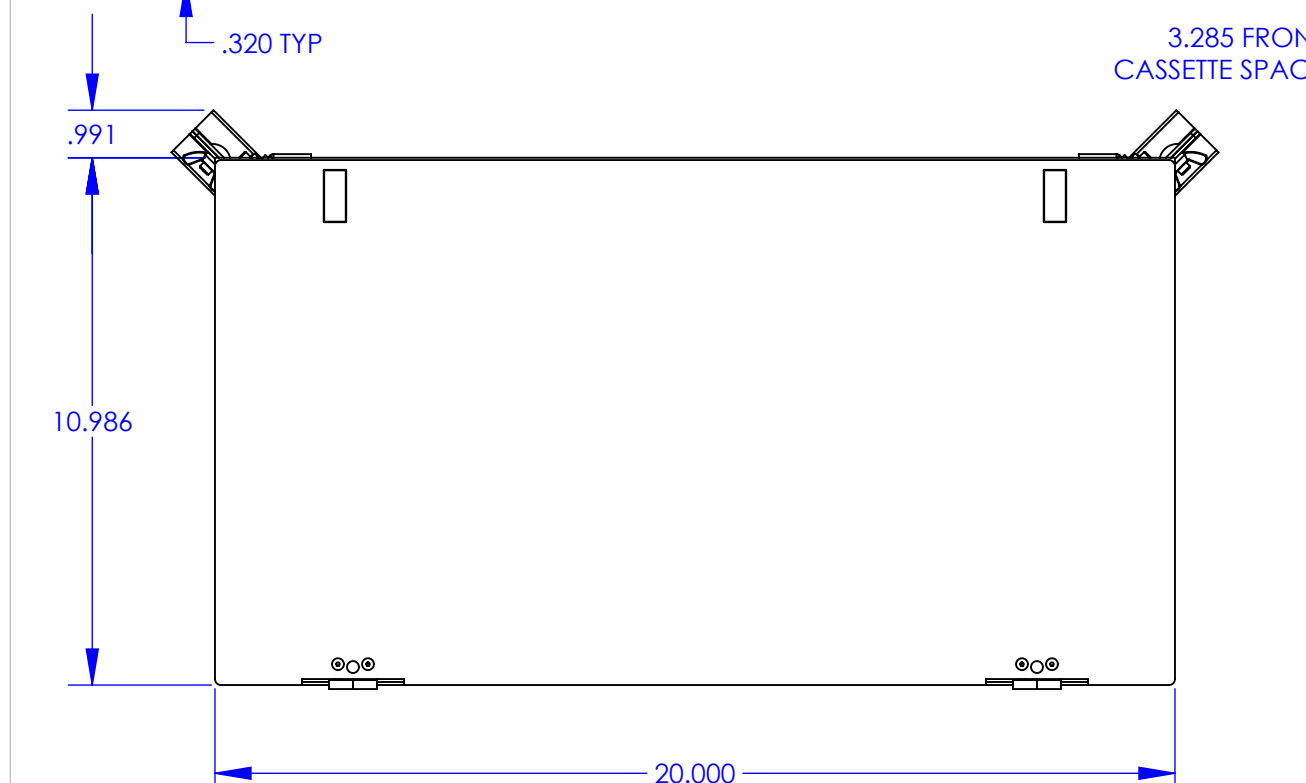
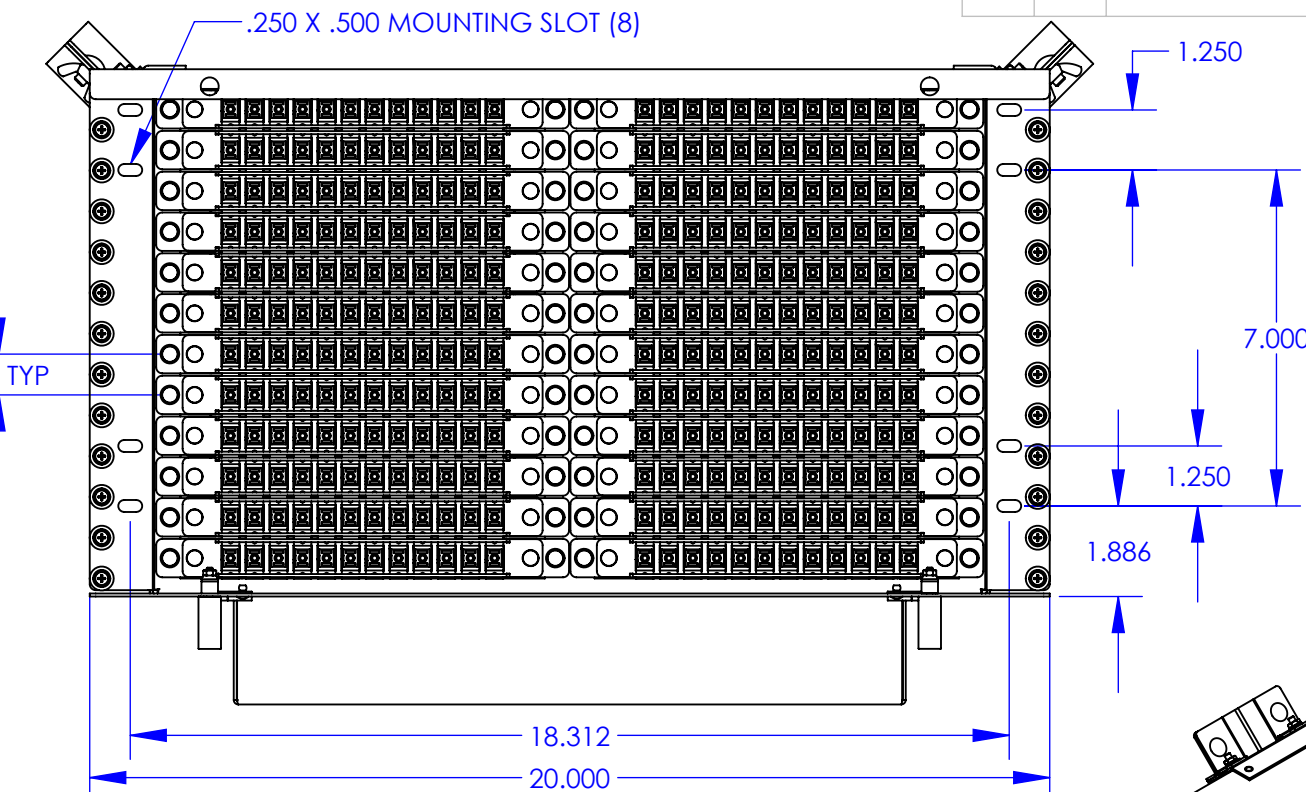
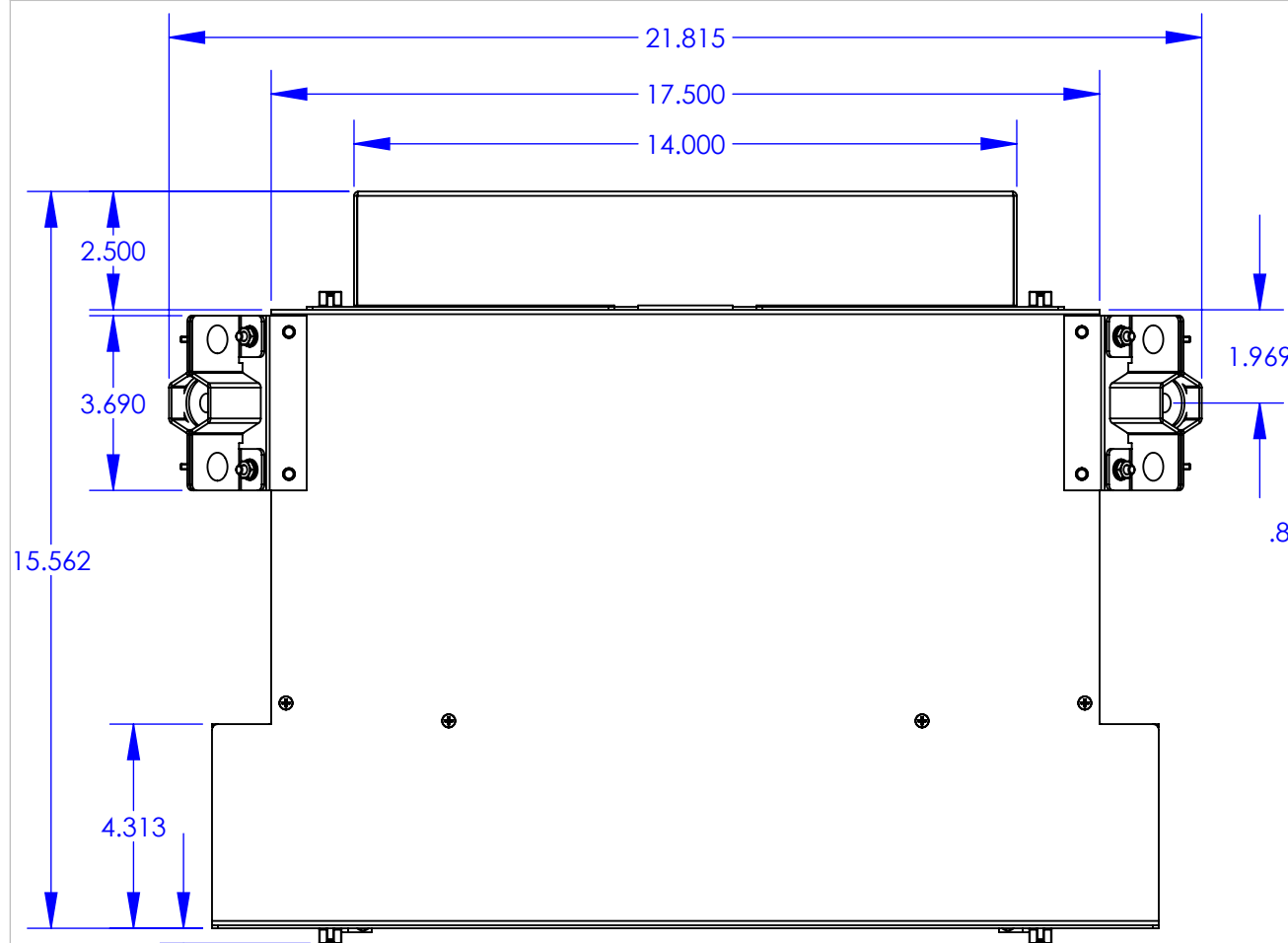


REV.	ECN #	DESCRIPTION OF CHANGE	DATE	BY	MFG ENG
01	N/A	INITIAL RELEASE	11/13/14	SAB	

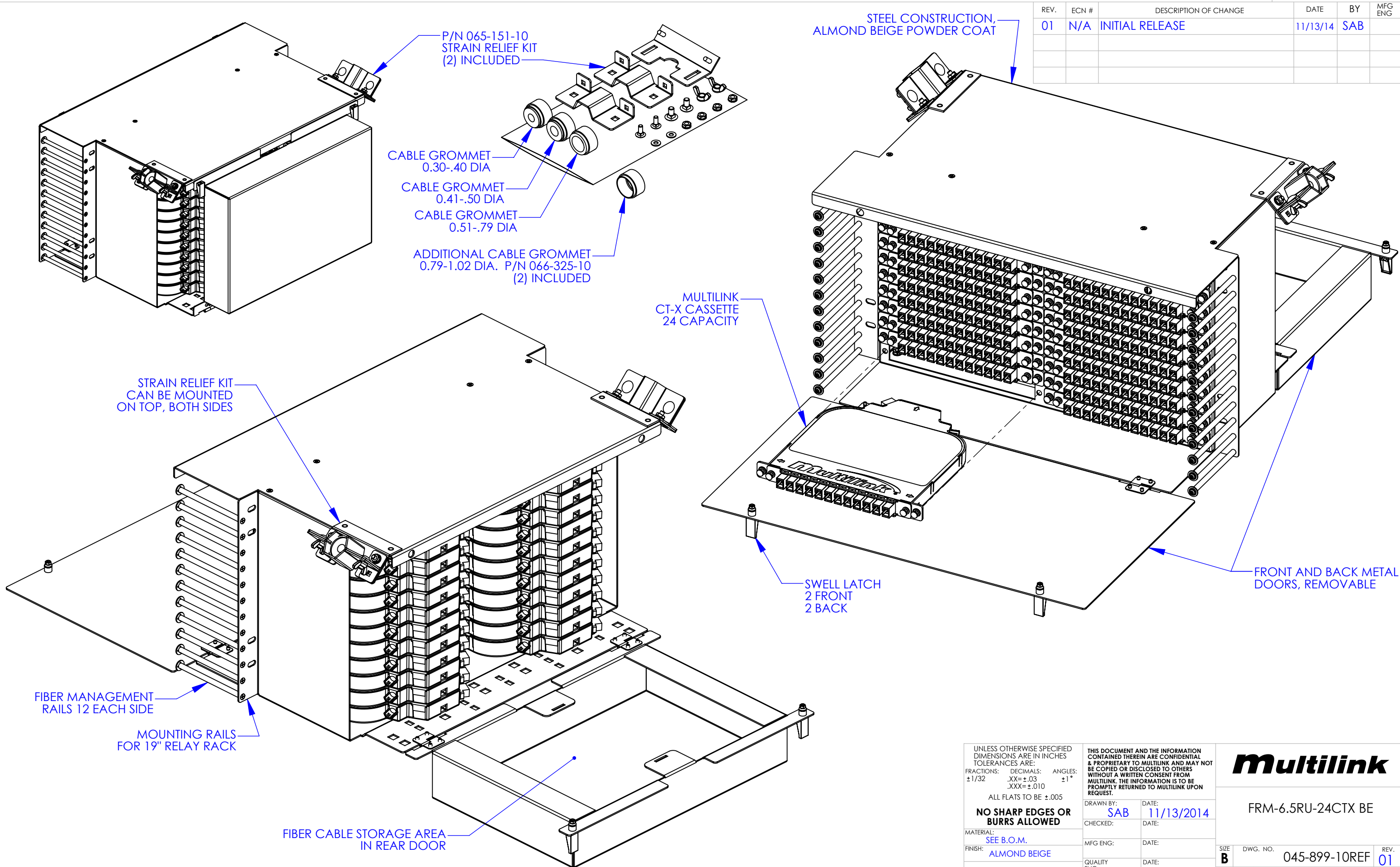


UNLESS OTHERWISE SPECIFIED DIMENSIONS ARE IN INCHES TOLERANCES ARE:  
 FRACTIONS: ±1/32 DECIMALS: .XX=±.03 .XXX=±.010 ANGLES: ±1°  
 ALL FLATS TO BE ±.005  
**NO SHARP EDGES OR BURRS ALLOWED**  
 MATERIAL: SEE B.O.M.  
 FINISH: ALMOND BEIGE  
 DO NOT SCALE DRAWING

THIS DOCUMENT AND THE INFORMATION CONTAINED THEREIN ARE CONFIDENTIAL & PROPRIETARY TO MULTILINK AND MAY NOT BE COPIED OR DISCLOSED TO OTHERS WITHOUT A WRITTEN CONSENT FROM MULTILINK. THE INFORMATION IS TO BE PROMPTLY RETURNED TO MULTILINK UPON REQUEST.  
 DRAWN BY: SAB DATE: 11/13/2014  
 CHECKED: DATE:  
 MFG ENG: DATE:  
 QUALITY ENG: DATE:

**Multilink**  
 FRM-6.5RU-24CTX BE  
 SIZE B DWG. NO. 045-899-10REF REV. 01  
 SCALE: 1:4 CAD FILE: 045-899-10REF SHEET: 1 OF 2

REV.	ECN #	DESCRIPTION OF CHANGE	DATE	BY	MFG ENG
01	N/A	INITIAL RELEASE	11/13/14	SAB	



UNLESS OTHERWISE SPECIFIED DIMENSIONS ARE IN INCHES TOLERANCES ARE:  
 FRACTIONS: ±1/32 DECIMALS: .XX=±.03 .XXX=±.010 ANGLES: ±1°  
 ALL FLATS TO BE ±.005  
**NO SHARP EDGES OR BURRS ALLOWED**  
 MATERIAL: SEE B.O.M.  
 FINISH: ALMOND BEIGE  
 DO NOT SCALE DRAWING

THIS DOCUMENT AND THE INFORMATION CONTAINED THEREIN ARE CONFIDENTIAL & PROPRIETARY TO MULTILINK AND MAY NOT BE COPIED OR DISCLOSED TO OTHERS WITHOUT A WRITTEN CONSENT FROM MULTILINK. THE INFORMATION IS TO BE PROMPTLY RETURNED TO MULTILINK UPON REQUEST.

DRAWN BY: **SAB** DATE: **11/13/2014**  
 CHECKED: DATE:  
 MFG ENG: DATE:  
 QUALITY ENG: DATE:

**Multilink**

FRM-6.5RU-24CTX BE

SIZE **B** DWG. NO. **045-899-10REF** REV. **01**  
 SCALE: 1:4 CAD FILE: 045-899-10REF SHEET: 2 OF 2