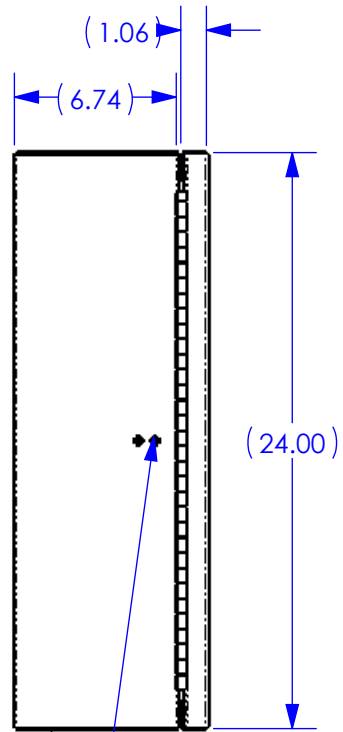
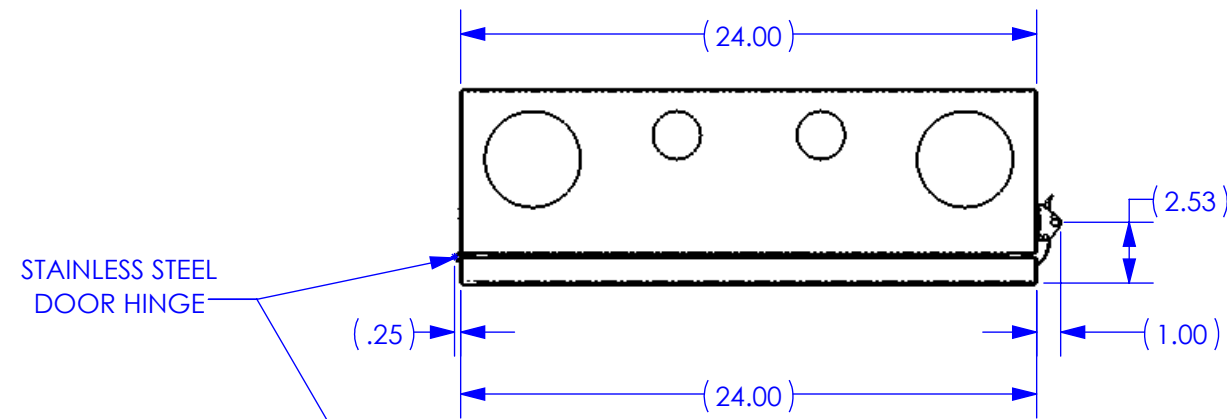
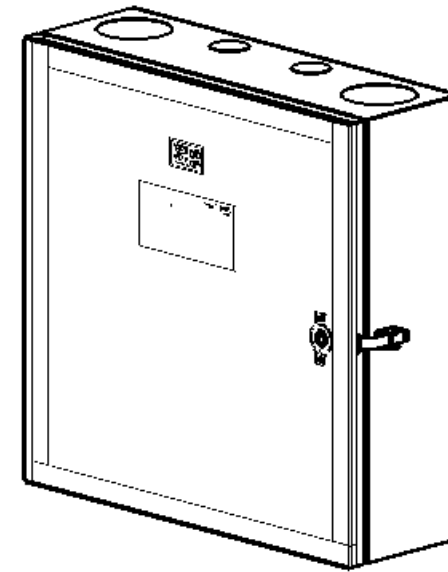
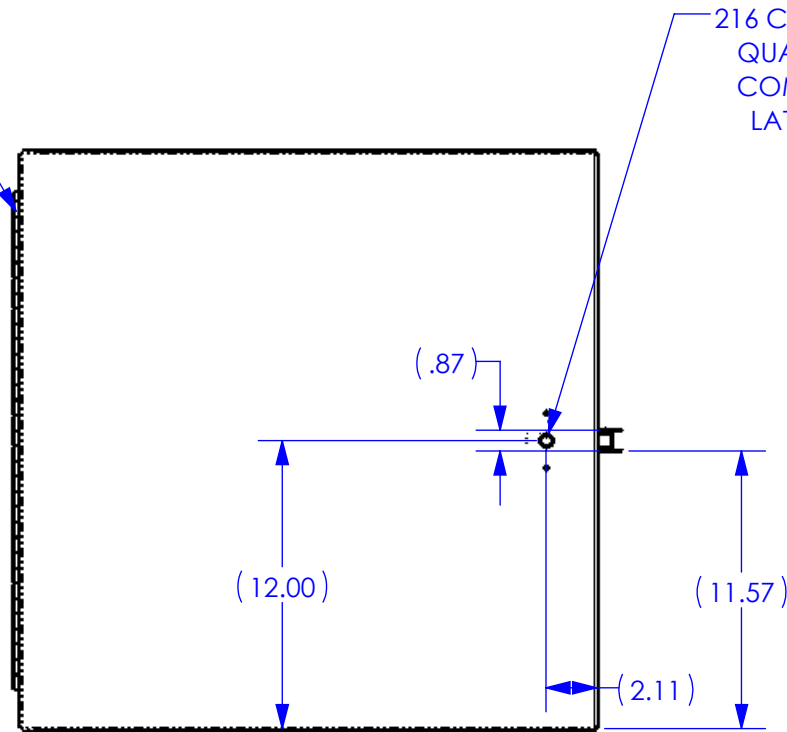


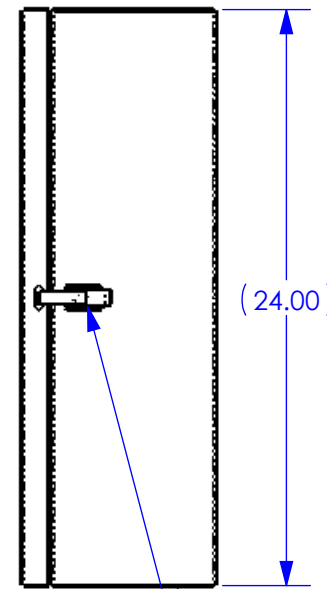
REV.	ECN #	DESCRIPTION OF CHANGE	DATE	BY	MFG ENG
02	2388	ADDED ITEM 12	5/25/11	TT	
03	2424	ADDED UL LABELS	6/27/11	TT	
04	2553	SEE ECN	12/21/11	TT	
05	3065	WAS 035-140-10/NOW 035-151-10	6/19/13	TT	



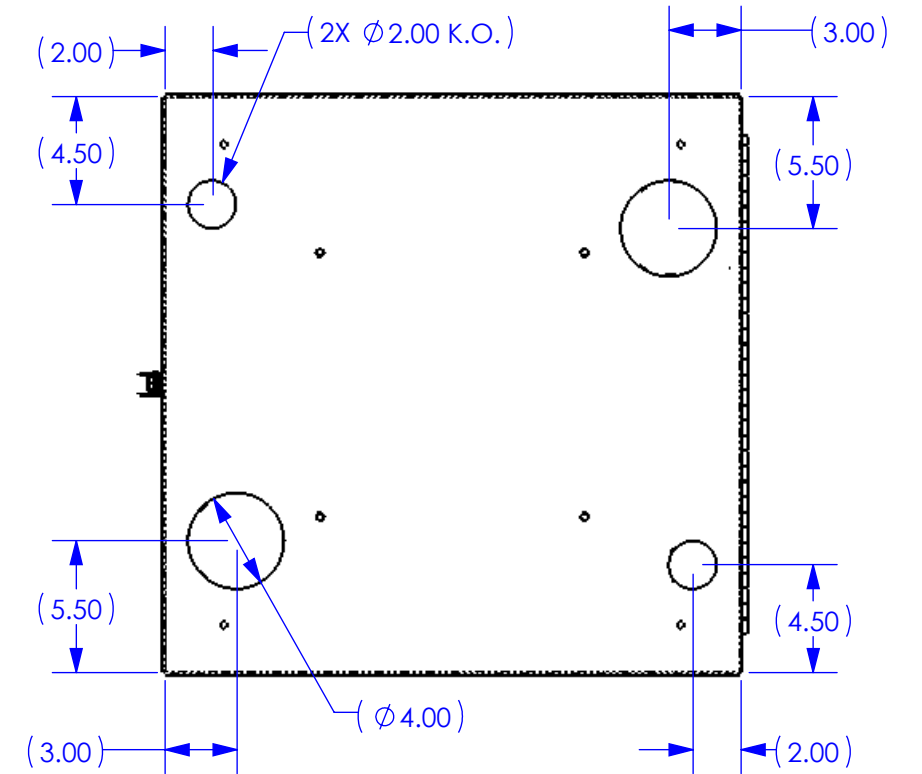
OPTIONAL DRAW LATCH MOUNTING WHEN DOOR IS MOUNTED RIGHT HAND SWING



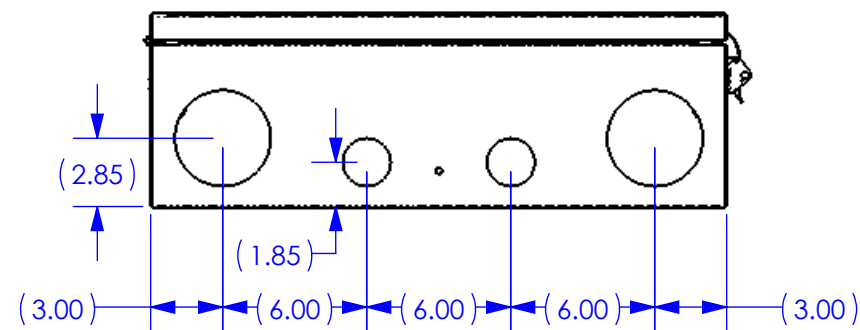
216 CAN WRENCH QUARTER TURN COMPRESSION LATCH LOCK



OVER CENTER DRAW LATCH STAINLESS STEEL W/PADLOCK OPTION



- NOTE:
- ENCLOSURE MATERIAL:
16 GA. / 0.063" GALVANNEALED STEEL
 - ENCLOSURE FINISH:
ALMOND BEIGE POLYESTER POWDER COAT
 - STAINLESS STEEL HARDWARE



UNLESS OTHERWISE SPECIFIED DIMENSIONS ARE IN INCHES TOLERANCES ARE:
 FRACTIONS: ± 1/32
 DECIMALS: .XX = ± .03
 ANGLES: ± 1°
 .XXX = ± .010
 ALL FLATS TO BE ± .005
NO SHARP EDGES OR BURRS ALLOWED
 MATERIAL: 16 GA/0.063 G-NEAL
 FINISH: ASA-70 GRAY
 DO NOT SCALE DRAWING

THIS DOCUMENT AND THE INFORMATION CONTAINED THEREIN ARE CONFIDENTIAL & PROPRIETARY TO MULTILINK AND MAY NOT BE COPIED OR DISCLOSED TO OTHERS WITHOUT A WRITTEN CONSENT FROM MULTILINK. THE INFORMATION IS TO BE PROMPTLY RETURNED TO MULTILINK UPON REQUEST.
 DRAWN BY: TT
 DATE: 4/15/11
 CHECKED: DATE:
 MFG ENG: DATE:
 QUALITY ENG: DATE:

Multilink

RN1HN4-24248-1CV1DL-C-PG-Y-S

SIZE **B** DWG. NO. 050-152-30-REF REV. 05
 SCALE: 1:5 CAD FILE: 050-152-30-REF SHEET: 1 OF 2

