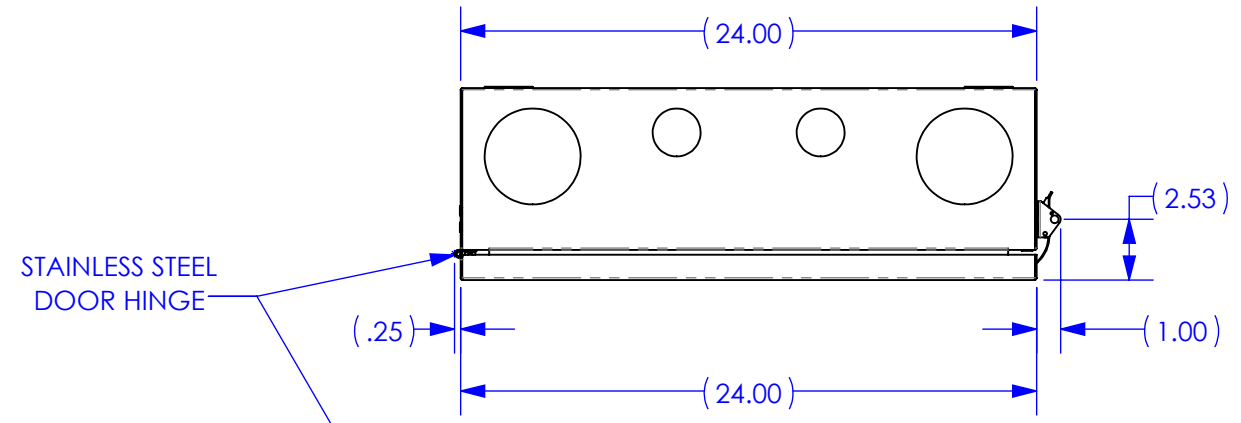
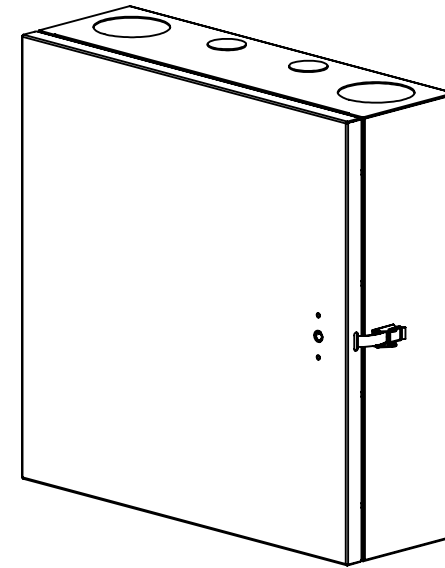
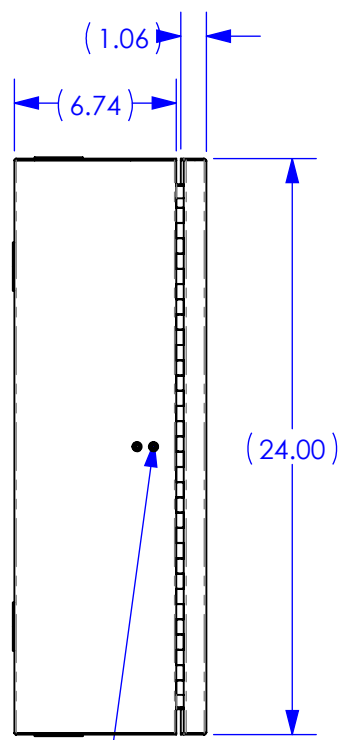


REV.	ECN #	DESCRIPTION OF CHANGE	DATE	BY	MFG ENG
02	2388	ADDED ITEM 12	5/25/11	TT	
03	2424	ADDED UL LABELS	6/27/11	TT	
04	2553	SEE ECN	12/21/11	TT	
05	3065	WAS 035-140-10/NOW 035-151-10	6/19/13	TT	

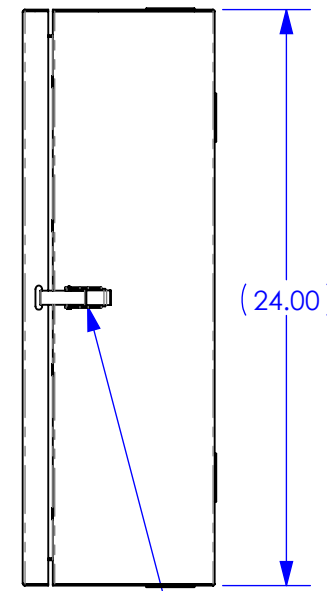
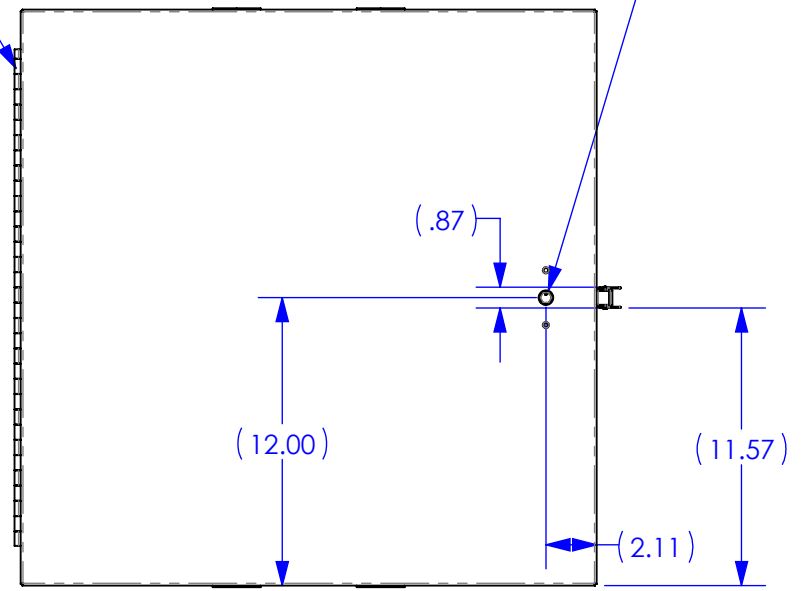


STAINLESS STEEL DOOR HINGE

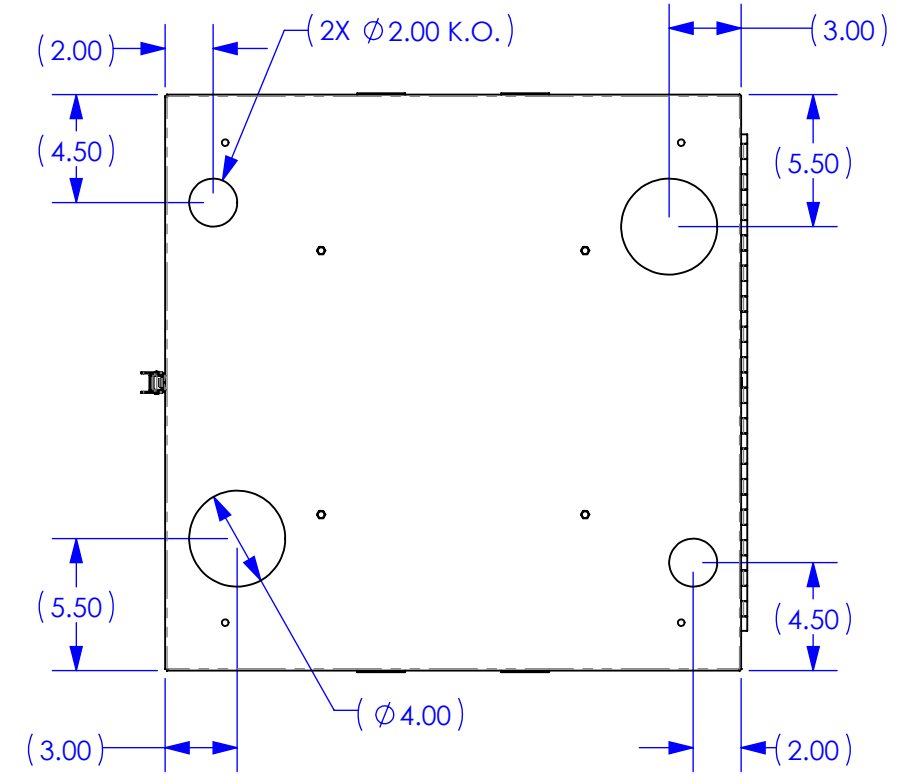
216 CAN WRENCH QUARTER TURN COMPRESSION LATCH LOCK



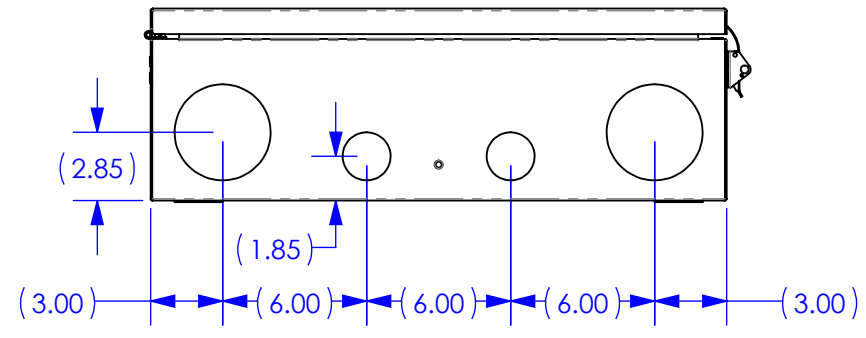
OPTIONAL DRAW LATCH MOUNTING WHEN DOOR IS MOUNTED RIGHT HAND SWING



OVER CENTER DRAW LATCH STAINLESS STEEL W/PADLOCK OPTION



- NOTE:
- ENCLOSURE MATERIAL:
16 GA. / 0.063" GALVANNEALED STEEL
 - ENCLOSURE FINISH:
ALMOND BEIGE POLYESTER POWDER COAT
 - STAINLESS STEEL HARDWARE



UNLESS OTHERWISE SPECIFIED DIMENSIONS ARE IN INCHES TOLERANCES ARE:
FRACTIONS: ± 1/32 DECIMALS: .XX ± .03 .XXX ± .010 ANGLES: ± 1°
ALL FLATS TO BE ± .005
NO SHARP EDGES OR BURRS ALLOWED
MATERIAL: 16 GA/0.063 G-NEAL
FINISH: BEIGE
DO NOT SCALE DRAWING

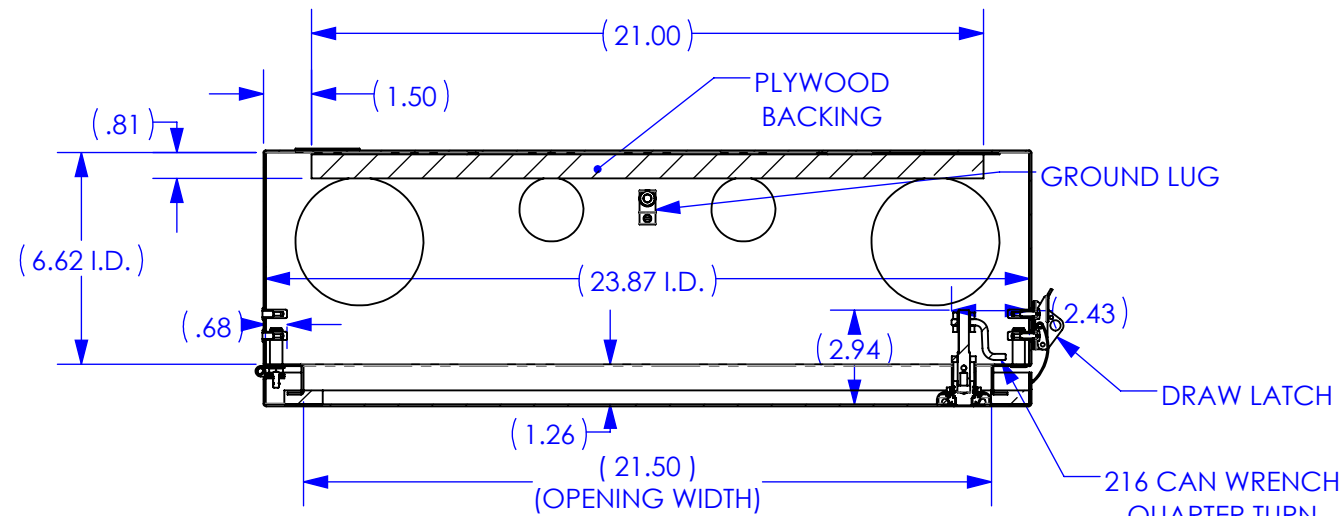
THIS DOCUMENT AND THE INFORMATION CONTAINED THEREIN ARE CONFIDENTIAL & PROPRIETARY TO MULTILINK AND MAY NOT BE COPIED OR DISCLOSED TO OTHERS WITHOUT A WRITTEN CONSENT FROM MULTILINK. THE INFORMATION IS TO BE PROMPTLY RETURNED TO MULTILINK UPON REQUEST.
DRAWN BY: TT DATE: 4/15/11
CHECKED: DATE:
MFG ENG: DATE:
QUALITY ENG: DATE:



RN1HN4-24248-1CV1DL-C-BE-Y-S

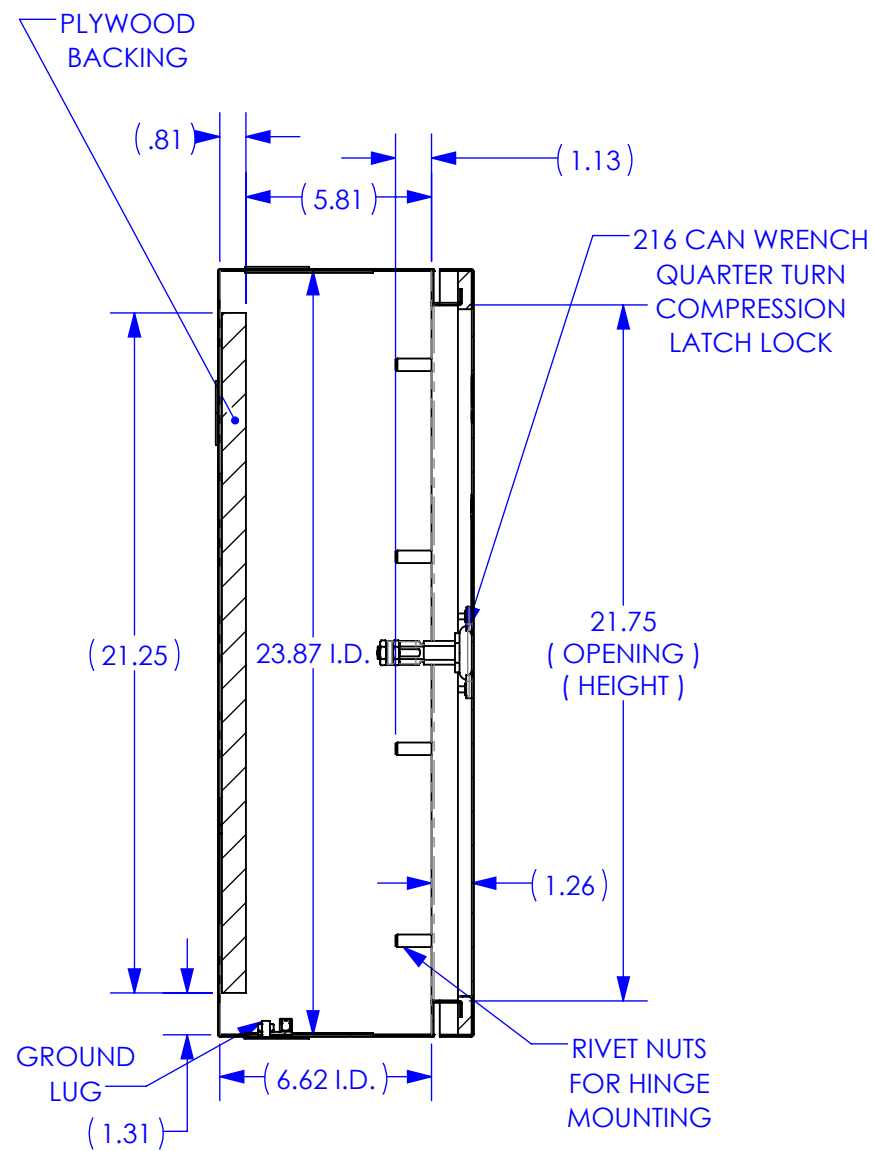
SIZE	DWG. NO.	REV.
B	050-152-31-REF	05
SCALE: 1:5	CAD FILE: 050-152-31-REF	SHEET: 1 OF 2

REV.	ECN #	DESCRIPTION OF CHANGE	DATE	BY	MFG ENG
02	2388	ADDED ITEM 12	5/25/11	TT	
03	2424	ADDED UL LABELS	6/27/11	TT	
04	2553	SEE ECN	12/21/11	TT	
05	3065	WAS 035-140-10/NOW 035-151-10	6/19/13	TT	

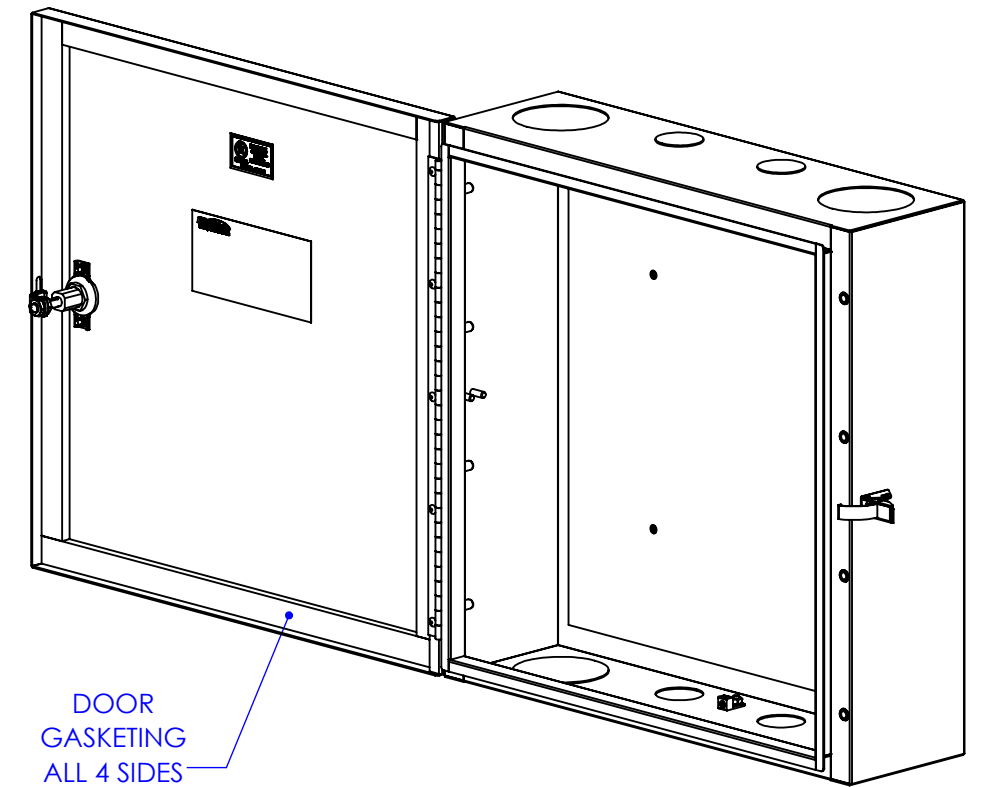
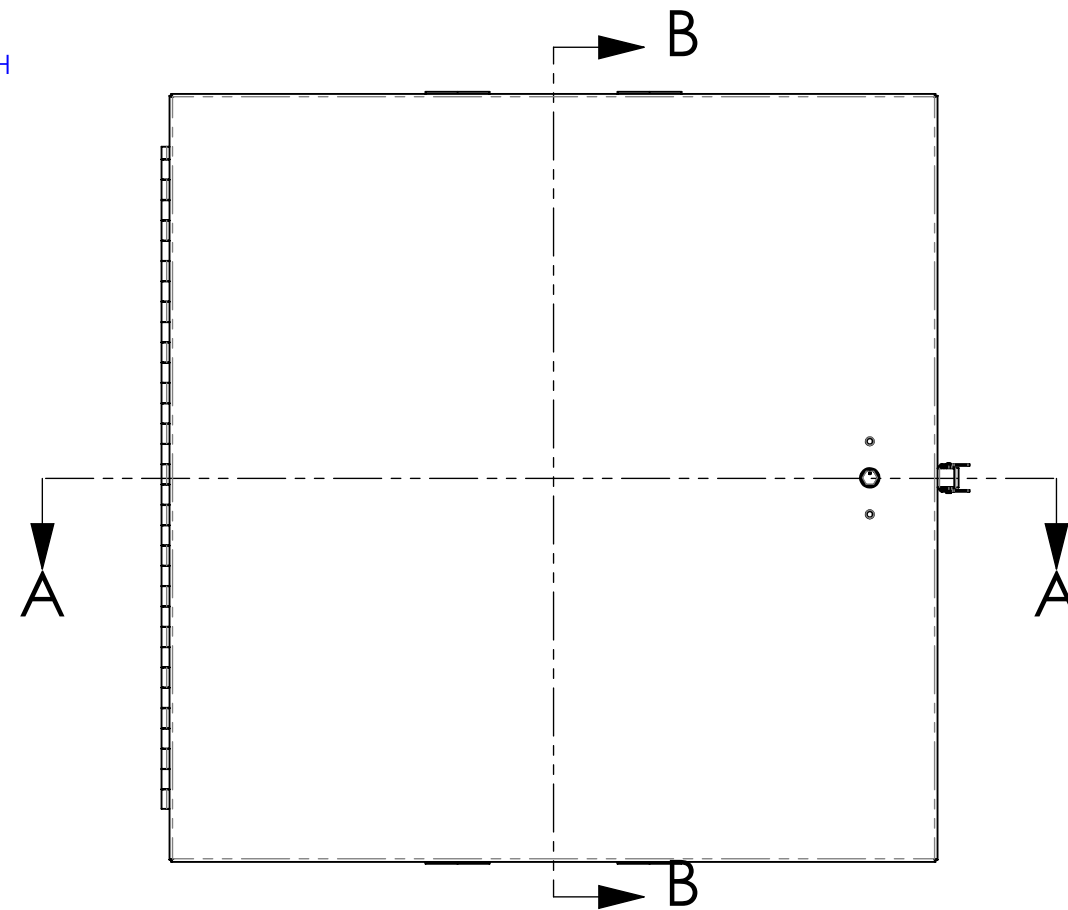


NOTE:

1. UNIT EQUIPPED WITH 3/4" PLYWOOD, GROUND LUG, DRAW LATCH AND WEATHERPROOF GASKETING.
2. THE ENTIRE DOOR ASSEMBLY AND DRAW LATCH IS REVERSIBLE AND CAN BE MOUNTED ON THE RIGHT OR LEFT HAND SIDE OF THE ENCLOSURE.
3. THE MOUNTING BRACKET KIT FOR THE ENCLOSURE IS SOLD SEPARATELY.



SECTION A-A
SCALE 1 : 6



UNLESS OTHERWISE SPECIFIED
DIMENSIONS ARE IN INCHES
TOLERANCES ARE:
FRACTIONS: DECIMALS: ANGLES:
± 1/32 .XX = ± .03 ± 1°
.XXX = ± .010

ALL FLATS TO BE ± .005

**NO SHARP EDGES OR
BURRS ALLOWED**

MATERIAL:
16 GA/0.063 G-NEAL
FINISH:
BEIGE

DO NOT SCALE DRAWING

THIS DOCUMENT AND THE INFORMATION
CONTAINED THEREIN ARE CONFIDENTIAL
& PROPRIETARY TO MULTILINK AND MAY
NOT BE COPIED OR DISCLOSED TO OTHERS
WITHOUT A WRITTEN CONSENT FROM
MULTILINK. THE INFORMATION IS TO BE
PROMPTLY RETURNED TO MULTILINK UPON
REQUEST.

DRAWN BY: TT DATE: 4/15/11
CHECKED: DATE:
MFG ENG: DATE:
QUALITY ENG: DATE:

Multilink

RN1HN4-24248-1CV1DL-
C-BE-Y-S

SIZE **B** DWG. NO. 050-152-31-REF REV. 05
SCALE: 1:5 CAD FILE: 050-152-31-REF SHEET: 2 OF 2

SECTION B-B
SCALE 1 : 6