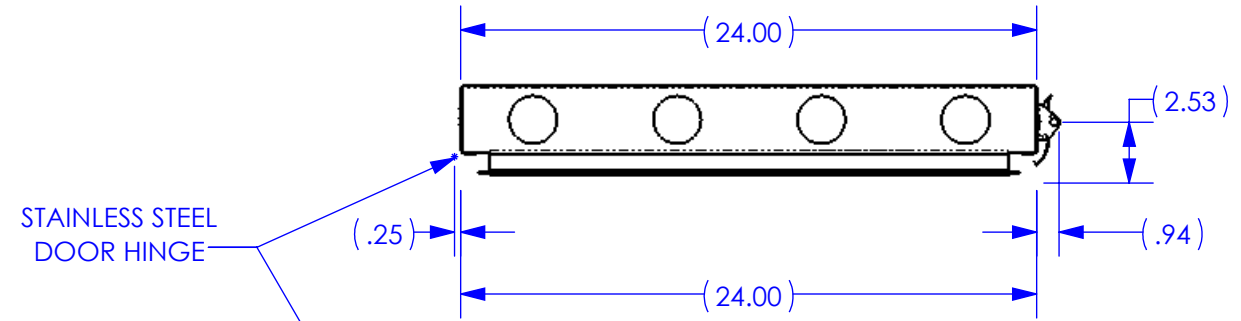
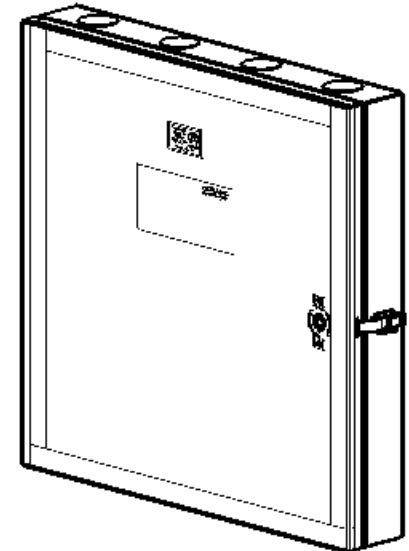
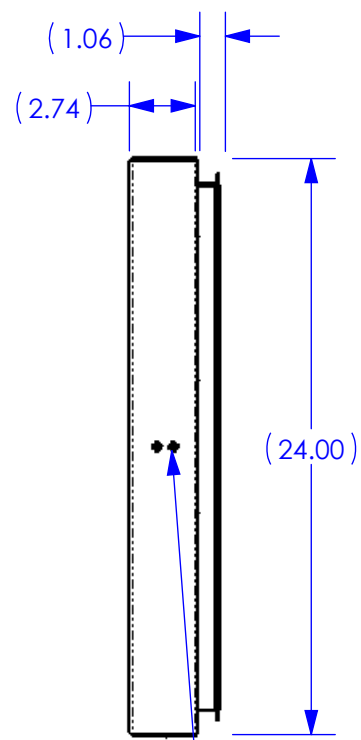


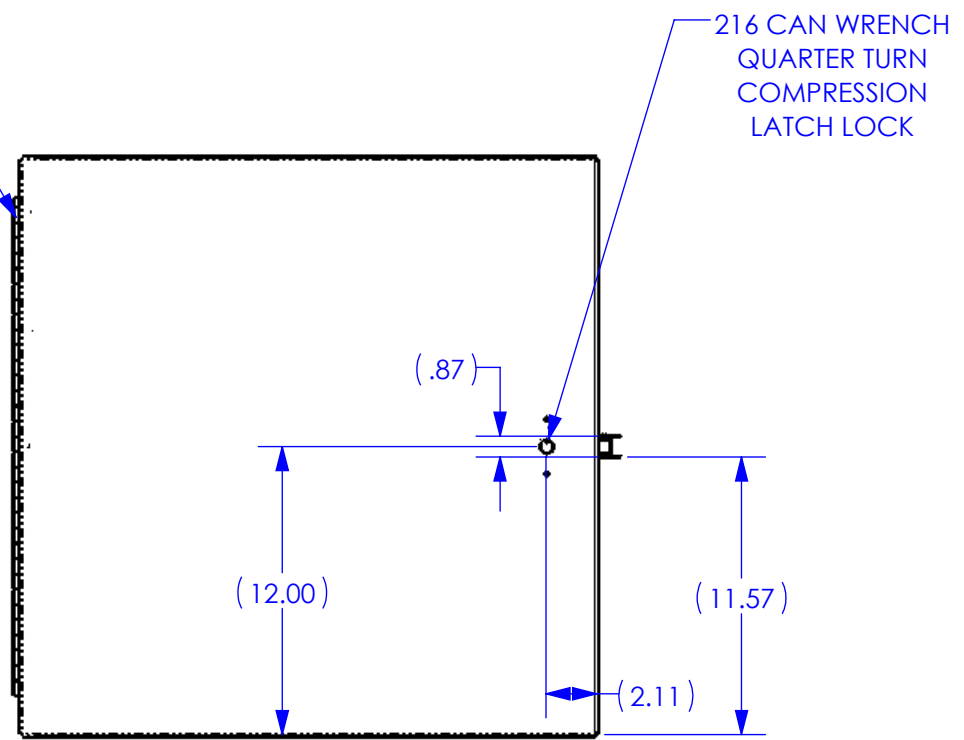
REV.	ECN #	DESCRIPTION OF CHANGE	DATE	BY	MFG ENG
01	N/A	INITIAL RELEASE	5/30/14	TT	



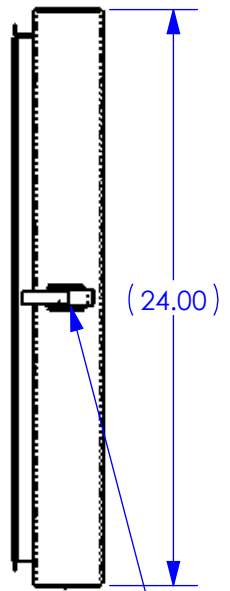
STAINLESS STEEL DOOR HINGE



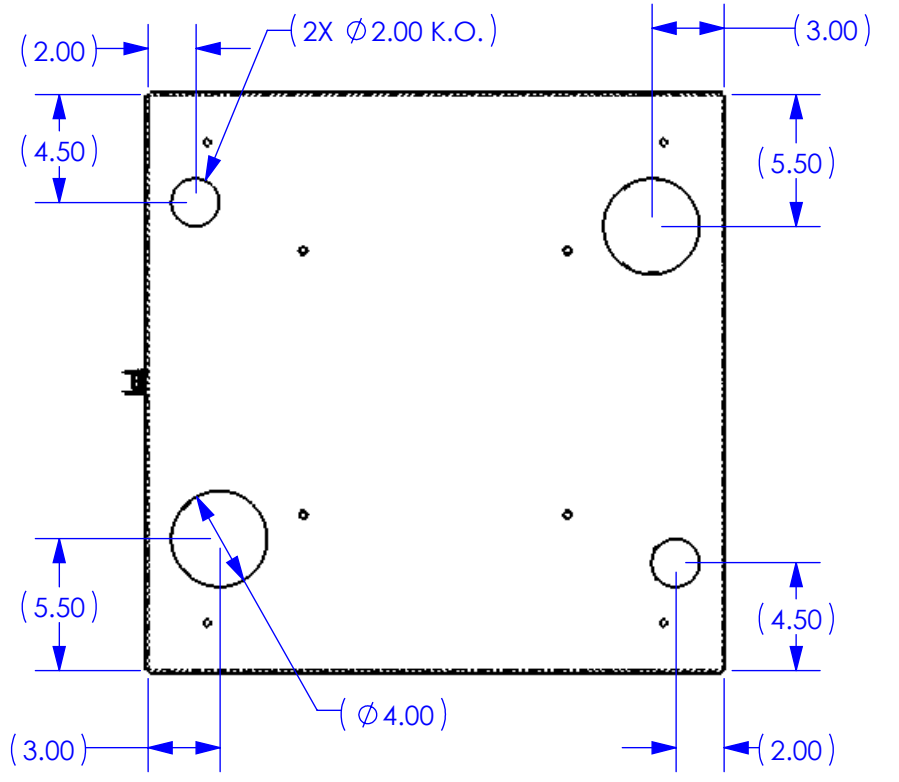
OPTIONAL DRAW LATCH MOUNTING WHEN DOOR IS MOUNTED RIGHT HAND SWING



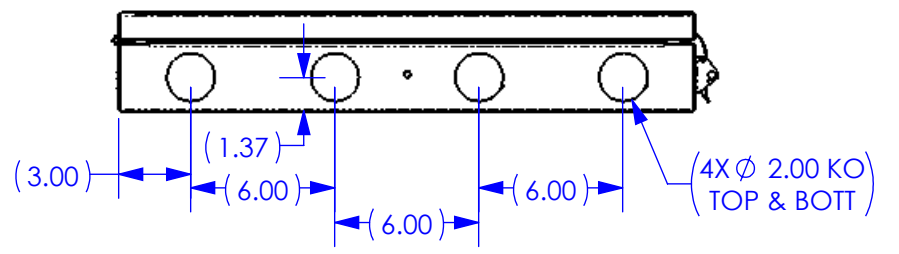
216 CAN WRENCH QUARTER TURN COMPRESSION LATCH LOCK



OVER CENTER DRAW LATCH STAINLESS STEEL W/PADLOCK OPTION



- NOTE:
- ENCLOSURE MATERIAL:  
16 GA. / 0.063" GALVANNEALED STEEL
  - ENCLOSURE FINISH:  
ALMOND BEIGE POLYESTER POWDER COAT
  - STAINLESS STEEL HARDWARE



UNLESS OTHERWISE SPECIFIED DIMENSIONS ARE IN INCHES TOLERANCES ARE:

FRACTIONS: ± 1/32    DECIMALS: .XX = ± .03    ANGLES: ± 1°  
.XXX = ± .010

ALL FLATS TO BE ± .005

**NO SHARP EDGES OR BURRS ALLOWED**

MATERIAL: 16 GA/0.063 G-NEAL  
FINISH: PROTEC GRAY

DO NOT SCALE DRAWING

THIS DOCUMENT AND THE INFORMATION CONTAINED THEREIN ARE CONFIDENTIAL & PROPRIETARY TO MULTILINK AND MAY NOT BE COPIED OR DISCLOSED TO OTHERS WITHOUT A WRITTEN CONSENT FROM MULTILINK. THE INFORMATION IS TO BE PROMPTLY RETURNED TO MULTILINK UPON REQUEST.

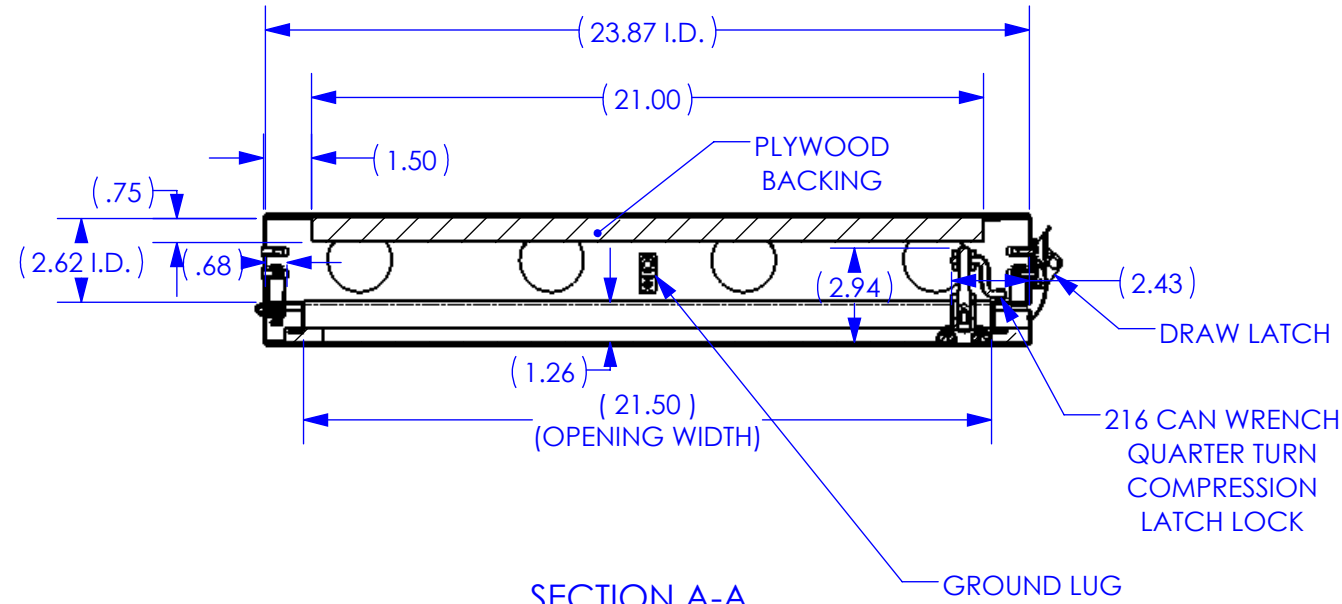
DRAWN BY: TT    DATE: 6/20/11  
CHECKED:    DATE:     
MFG ENG:    DATE:     
QUALITY ENG:    DATE:   

**Multilink**

RN1HN4-24244-1CV1DL-C-PG-Y-S

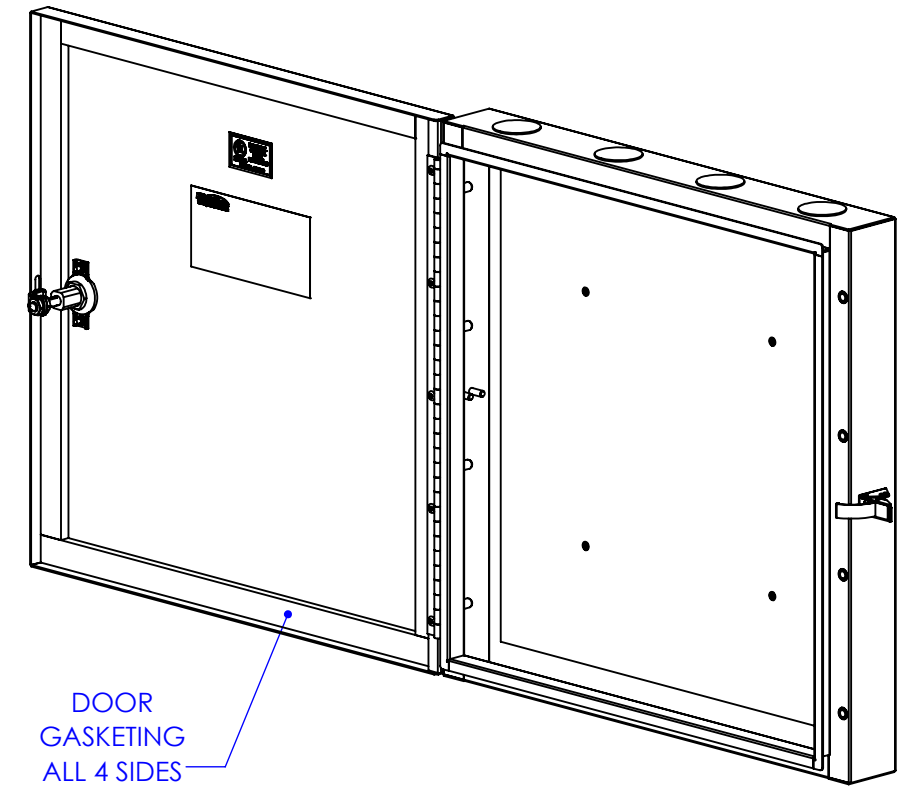
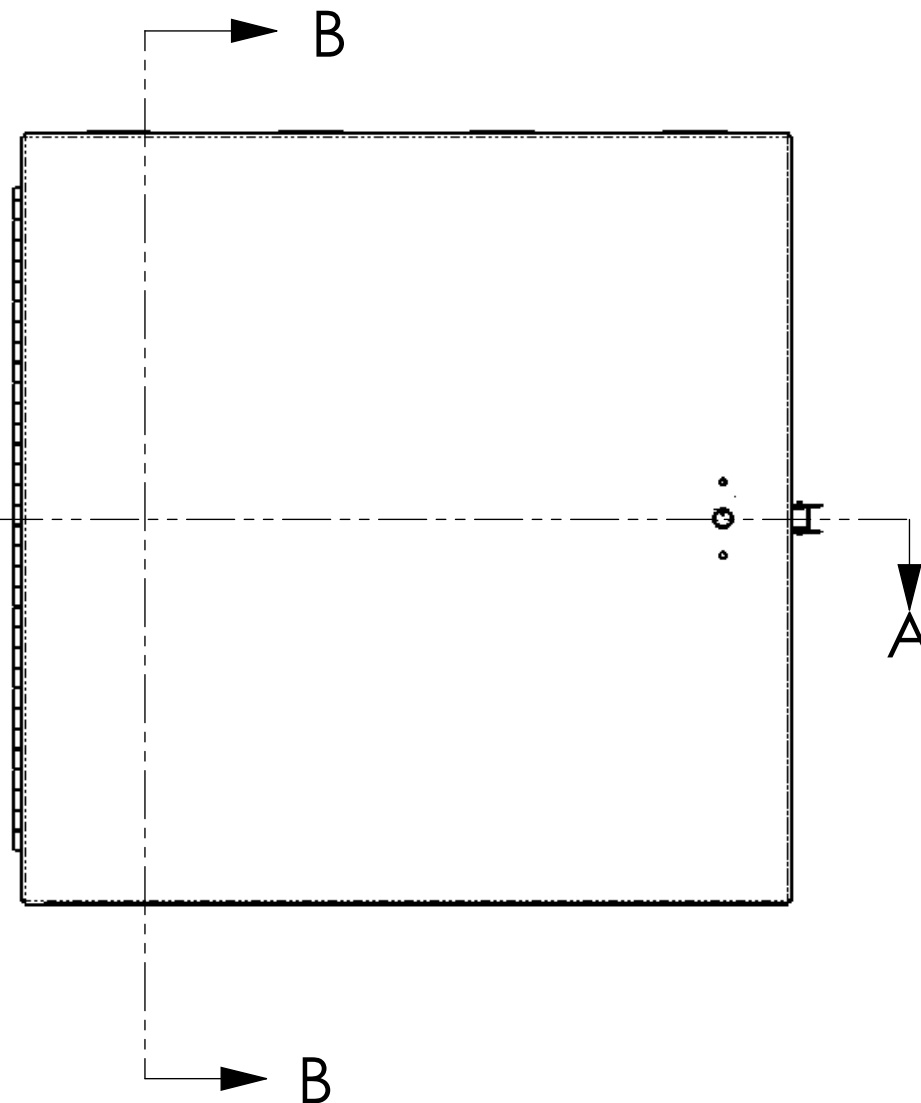
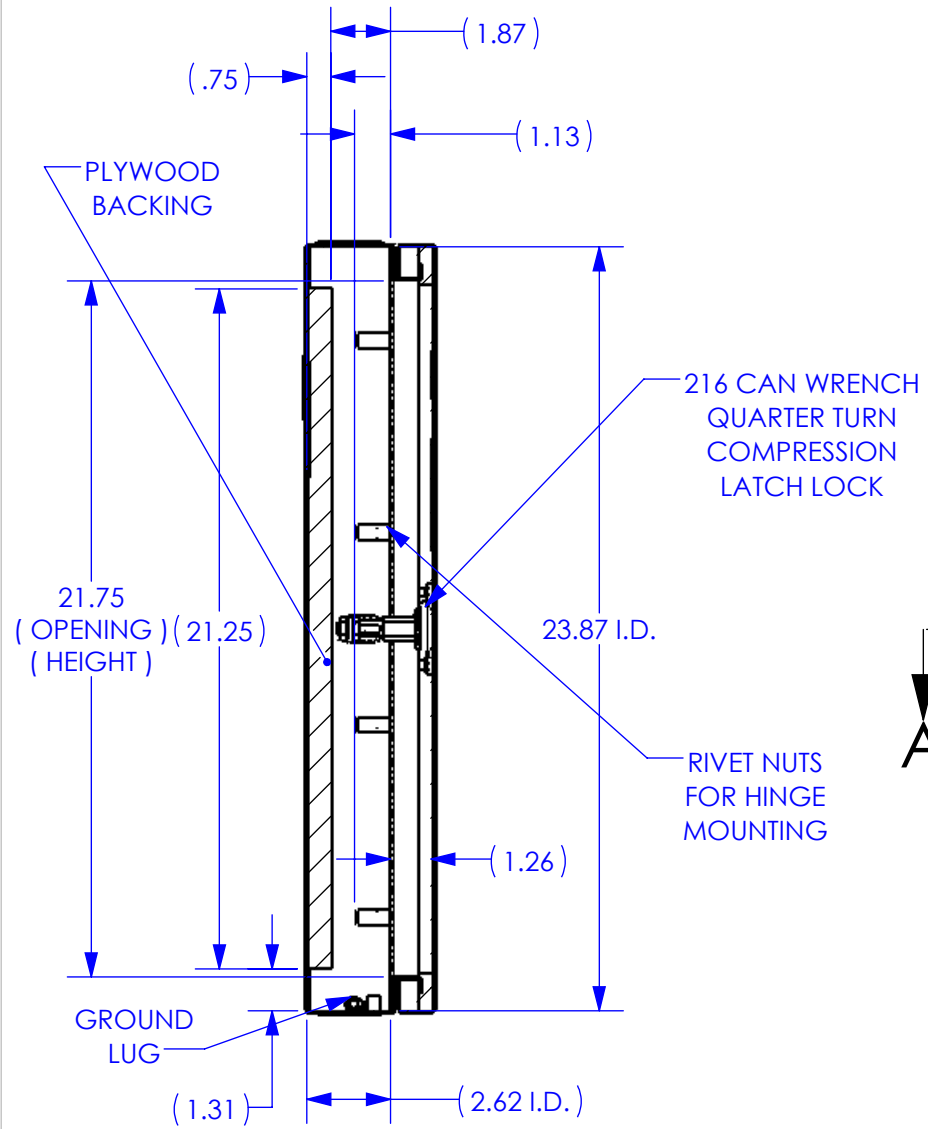
SIZE	DWG. NO.	REV.
<b>B</b>	050-153-30-REF	01
SCALE: 1:5	CAD FILE: 050-153-30-REF	SHEET: 1 OF 2

REV.	ECN #	DESCRIPTION OF CHANGE	DATE	BY	MFG ENG
01	N/A	INITIAL RELEASE	5/30/14	TT	



NOTE:

1. UNIT EQUIPPED WITH 3/4" PLYWOOD, GROUND LUG, DRAW LATCH AND WEATHERPROOF GASKETING.
2. THE ENTIRE DOOR ASSEMBLY AND DRAW LATCH IS REVERSIBLE AND CAN BE MOUNTED ON THE RIGHT OR LEFT HAND SIDE OF THE ENCLOSURE.
3. THE MOUNTING BRACKET KIT FOR THE ENCLOSURE IS SOLD SEPARATELY.



UNLESS OTHERWISE SPECIFIED DIMENSIONS ARE IN INCHES TOLERANCES ARE: FRACTIONS: ±1/32    DECIMALS: .XX=±.03    ANGLES: ±1° .XXX=±.010 ALL FLATS TO BE ±.005		THIS DOCUMENT AND THE INFORMATION CONTAINED THEREIN ARE CONFIDENTIAL & PROPRIETARY TO MULTILINK AND MAY NOT BE COPIED OR DISCLOSED TO OTHERS WITHOUT A WRITTEN CONSENT FROM MULTILINK. THE INFORMATION IS TO BE PROMPTLY RETURNED TO MULTILINK UPON REQUEST.	<b>Multilink</b>
<b>NO SHARP EDGES OR BURRS ALLOWED</b>			
MATERIAL: 16 GA/0.063 G-NEAL PROTEC GRAY	FINISH: DO NOT SCALE DRAWING	DRAWN BY: TT	DATE: 6/20/11
		CHECKED:	DATE:
		MFG ENG:	DATE:
		QUALITY ENG:	DATE:
		SIZE: <b>B</b>	DWG. NO. 050-153-30-REF
		SCALE: 1:5	CAD FILE: 050-153-30-REF
		SHEET: 2	OF 2

SECTION B-B  
SCALE 1 : 6

SECTION A-A  
SCALE 1 : 6