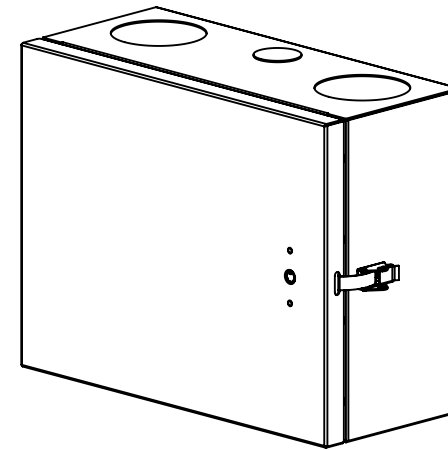
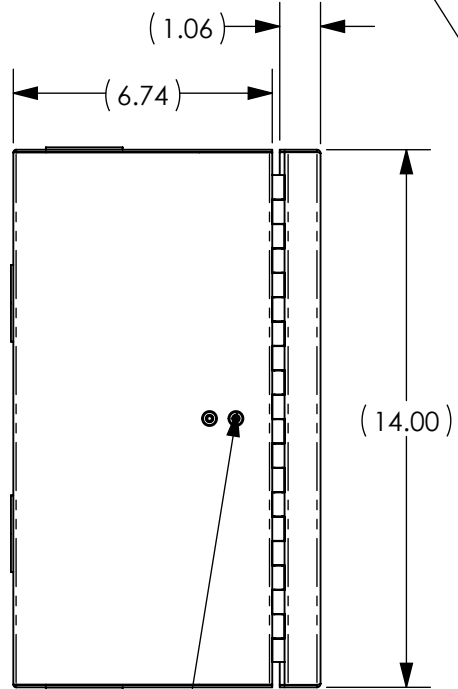
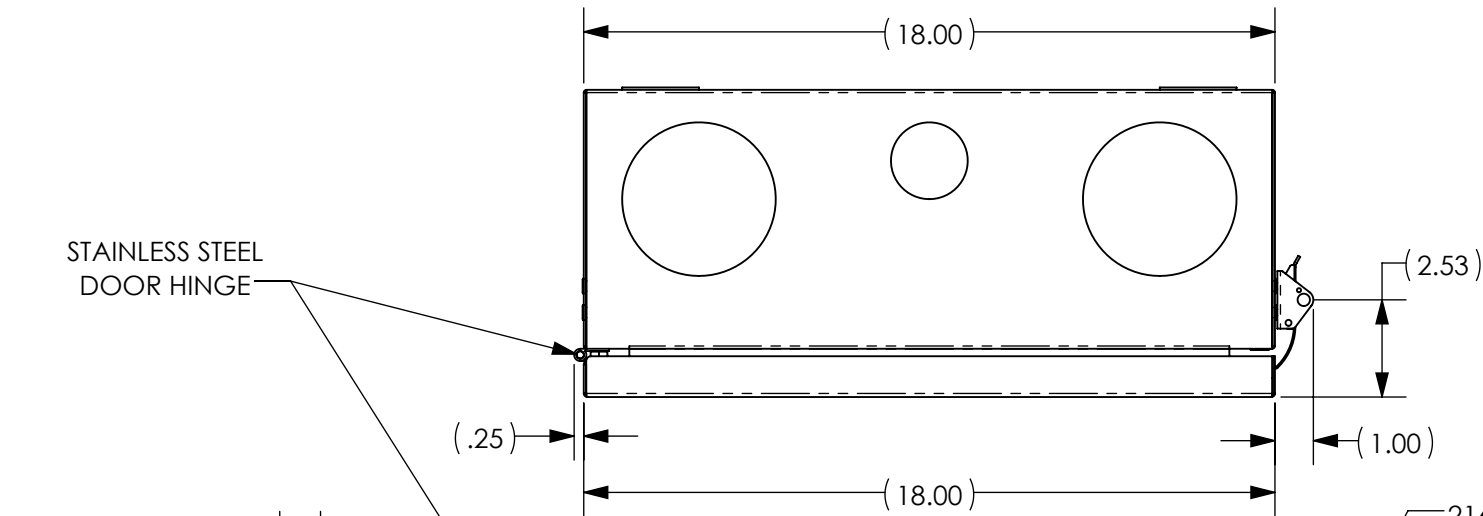


REV.	ECN #	DESCRIPTION OF CHANGE	DATE	BY	MFG ENG
02	2388	ADDED ITEM 12	5/25/11	TT	
03	2424	ADDED UL LABELS	6/27/11	TT	
04	2567	SEE ECN	12/21/11	TT	
05	3065	WAS 035-140-10/NOW 035-151-10	6/19/13	TT	

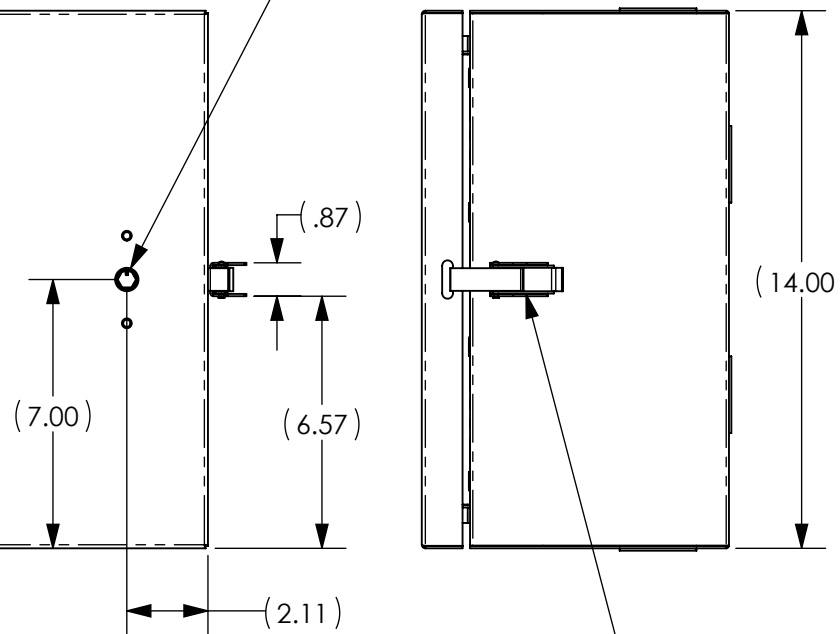


STAINLESS STEEL
DOOR HINGE

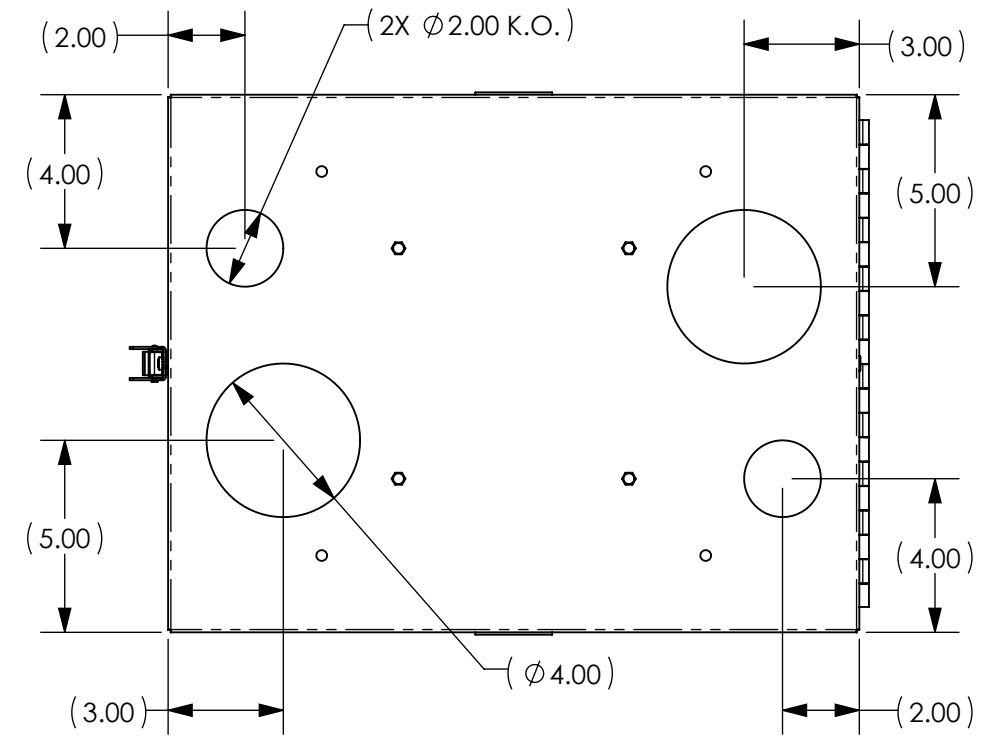


OPTIONAL
DRAW LATCH
MOUNTING WHEN
DOOR IS MOUNTED
RIGHT HAND SWING

216 CAN WRENCH
QUARTER TURN
COMPRESSION
LATCH LOCK

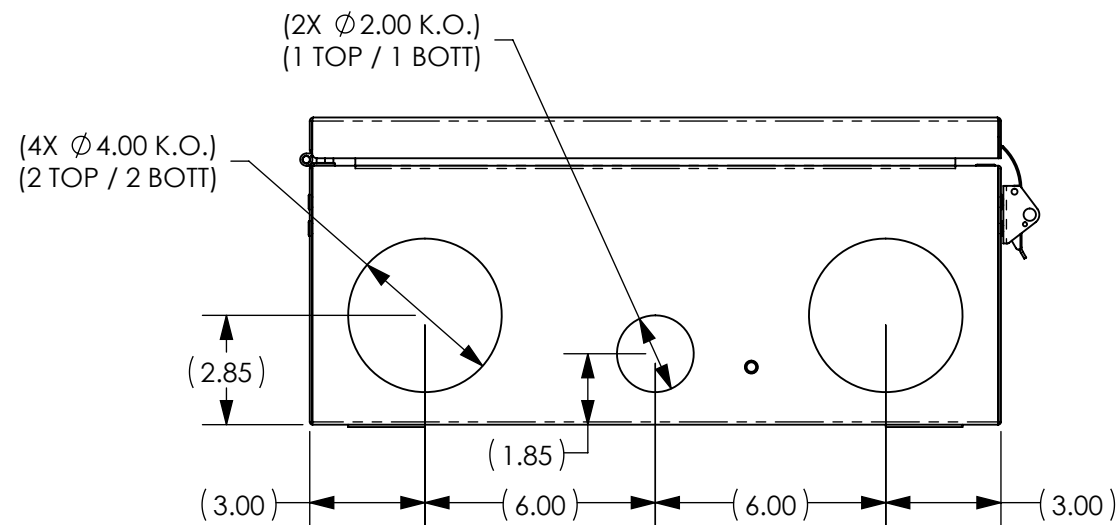


OVER CENTER
DRAW LATCH
STAINLESS STEEL
W/PADLOCK
OPTION



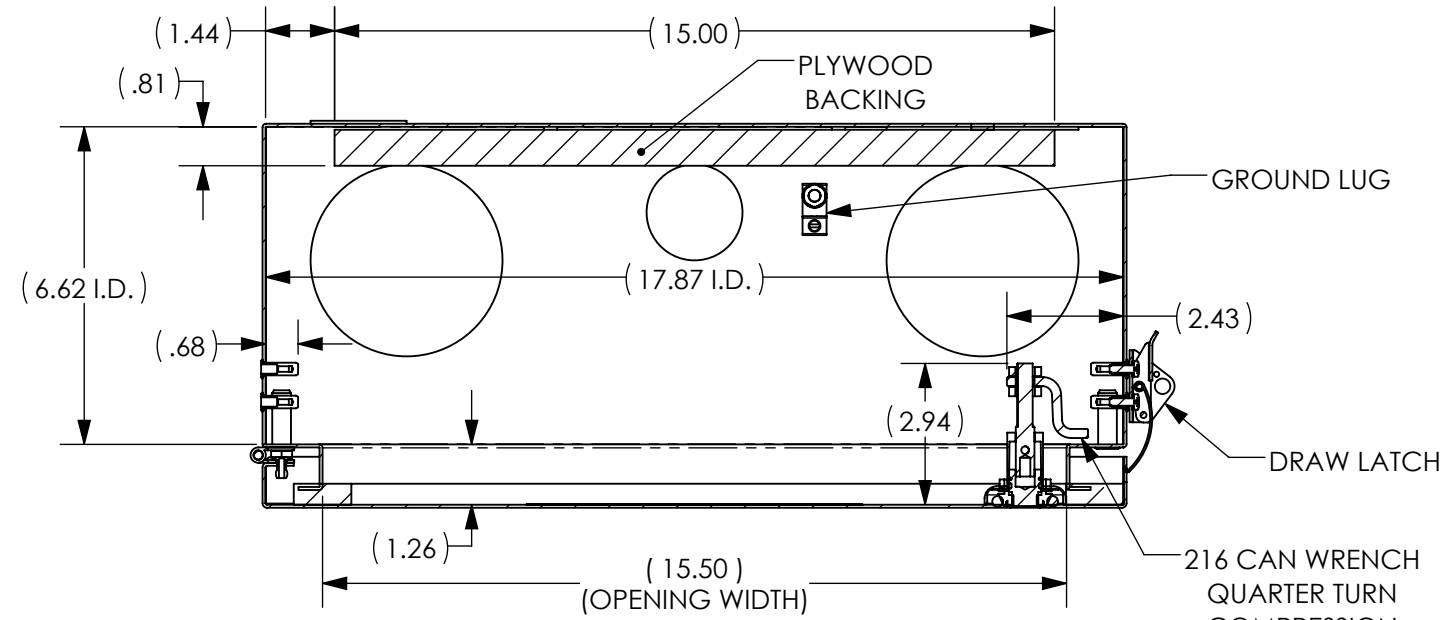
NOTE:

- ENCLOSURE MATERIAL:
16 GA. / 0.063" GALVANNEALED STEEL
- ENCLOSURE FINISH:
ALMOND BEIGE POLYESTER POWDER COAT
- STAINLESS STEEL HARDWARE



UNLESS OTHERWISE SPECIFIED DIMENSIONS ARE IN INCHES TOLERANCES ARE: FRACTIONS: ±1/32 DECIMALS: .XX=±.03 ANGLES: ±1° .XXX=±.010		THIS DOCUMENT AND THE INFORMATION CONTAINED THEREIN ARE CONFIDENTIAL & PROPRIETARY TO MULTILINK AND MAY NOT BE COPIED OR DISCLOSED TO OTHERS WITHOUT A WRITTEN CONSENT FROM MULTILINK. THE INFORMATION IS TO BE PROMPTLY RETURNED TO MULTILINK UPON REQUEST.		Multilink	
ALL FLATS TO BE ±.005		DRAWN BY: TT DATE: 1/3/12			
NO SHARP EDGES OR BURRS ALLOWED		CHECKED: DATE:		RN1HN4-18148-1CV1DL-C-BE-Y-S	
MATERIAL: 16 GA / 0.063 G'NEAL		MFG ENG: DATE:		SIZE: B DWG. NO. 050-202-31-REF REV. 05	
FINISH: ALMOND BEIGE		QUALITY ENG: DATE:		SCALE: 1:5 CAD FILE: 050-202-31-REF SHEET: 1 OF 2	
DO NOT SCALE DRAWING					

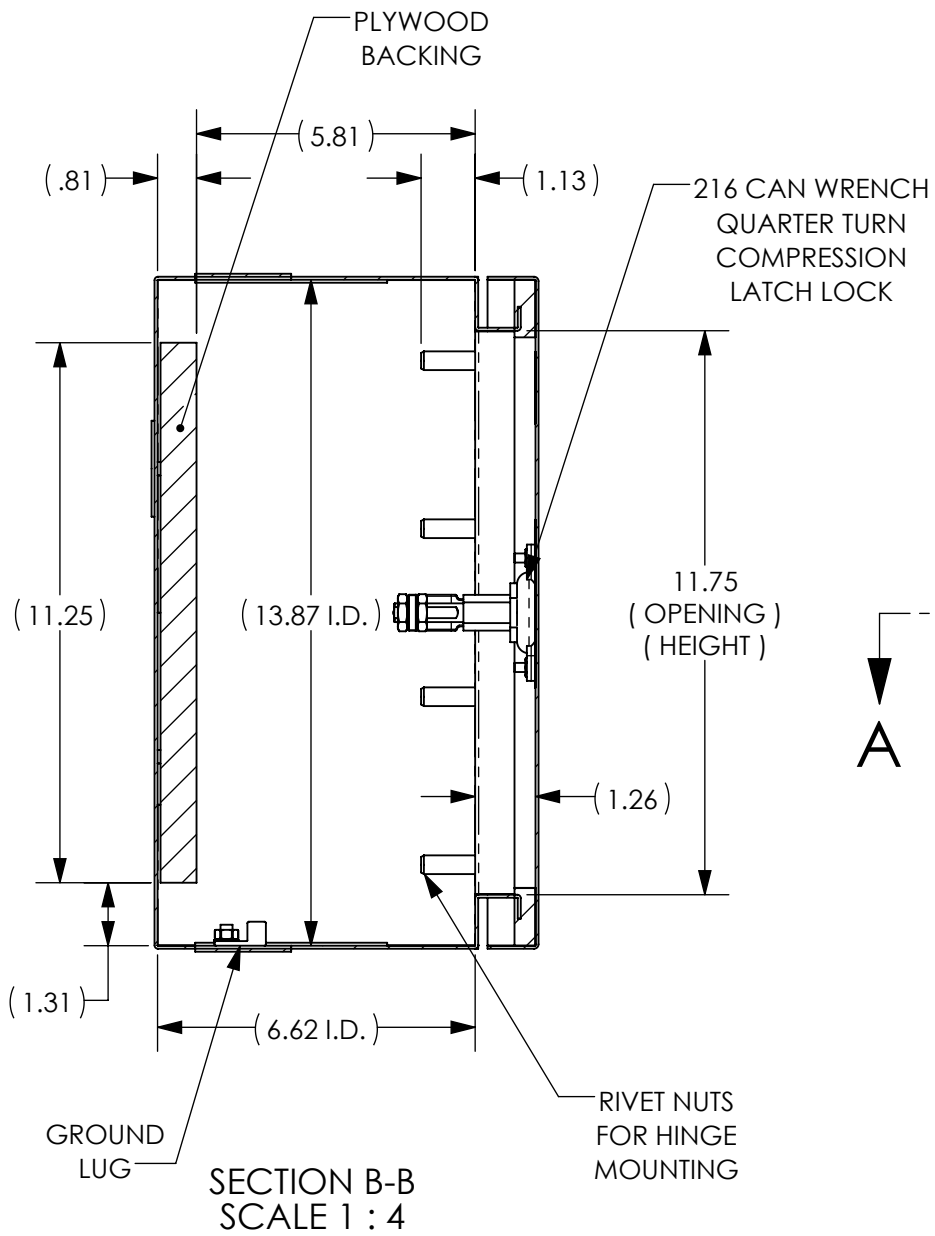
REV.	ECN #	DESCRIPTION OF CHANGE	DATE	BY	MFG ENG
02	2388	ADDED ITEM 12	5/25/11	TT	
03	2424	ADDED UL LABELS	6/27/11	TT	
04	2567	SEE ECN	12/21/11	TT	
05	3065	WAS 035-140-10/NOW 035-151-10	6/19/13	TT	



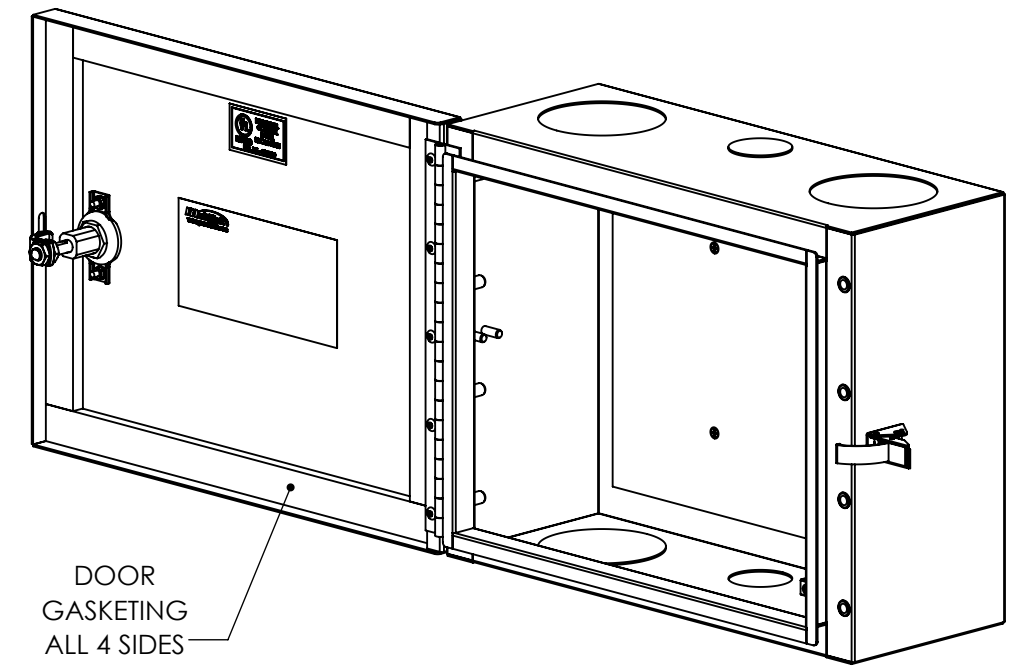
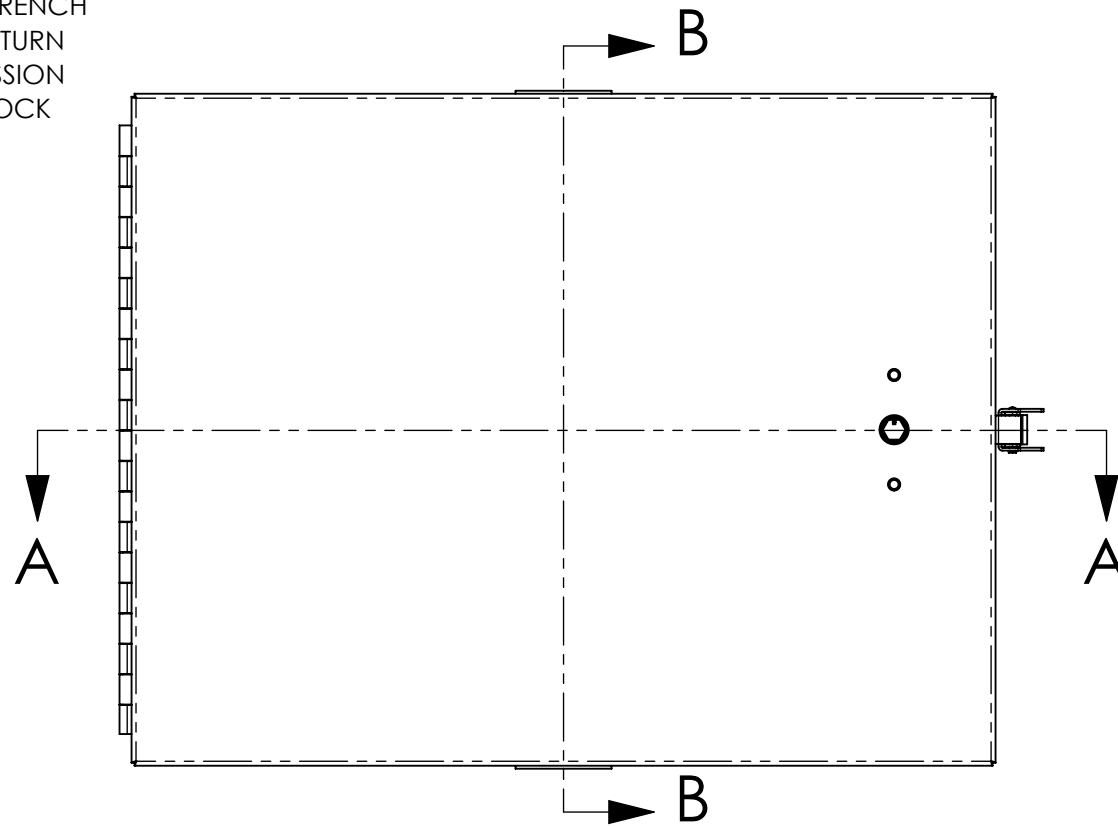
SECTION A-A
SCALE 1 : 4

NOTE:

1. UNIT EQUIPPED WITH 3/4" PLYWOOD, GROUND LUG, DRAW LATCH AND WEATHERPROOF GASKETING.
2. THE ENTIRE DOOR ASSEMBLY AND DRAW LATCH IS REVERSIBLE AND CAN BE MOUNTED ON THE RIGHT OR LEFT HAND SIDE OF THE ENCLOSURE.
3. THE MOUNTING BRACKET KIT FOR THE ENCLOSURE IS SOLD SEPARATELY.



SECTION B-B
SCALE 1 : 4



UNLESS OTHERWISE SPECIFIED DIMENSIONS ARE IN INCHES TOLERANCES ARE: FRACTIONS: ±1/32 DECIMALS: .XX=±.03 .XXX=±.010 ANGLES: ±1° ALL FLATS TO BE ±.005 NO SHARP EDGES OR BURRS ALLOWED		THIS DOCUMENT AND THE INFORMATION CONTAINED THEREIN ARE CONFIDENTIAL & PROPRIETARY TO MULTILINK AND MAY NOT BE COPIED OR DISCLOSED TO OTHERS WITHOUT A WRITTEN CONSENT FROM MULTILINK. THE INFORMATION IS TO BE PROMPTLY RETURNED TO MULTILINK UPON REQUEST.			
DRAWN BY: TT		DATE: 1/3/12			
MATERIAL: 16 GA / 0.063 G"NEAL		CHECKED: DATE:		RN1HN4-18148-1CV1DL-C-BE-Y-S	
FINISH: ALMOND BEIGE		MFG ENG: DATE:		SIZE: B	
DO NOT SCALE DRAWING		QUALITY ENG: DATE:		DWG. NO. 050-202-31-REF	
				REV. 05	
		SCALE: 1:5		CAD FILE: 050-202-31-REF SHEET: 2 OF 2	