

4072-SSTP

065-001-10



Product Description

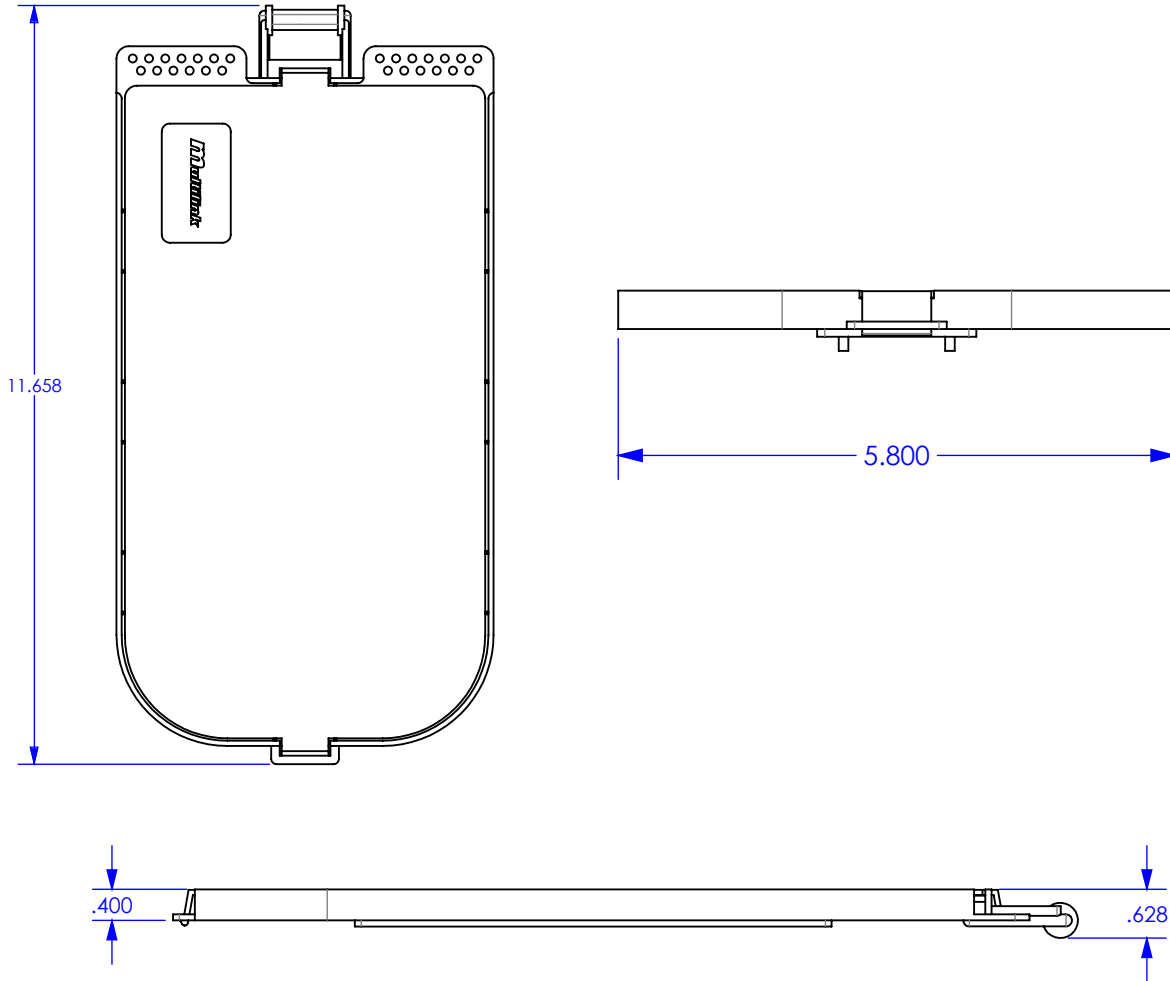
The Multilink® Starfighter™ 4072-SSTP Optical Fiber Splice Tray is designed to safely route and store optical fiber and associated splices. The tray is equipped with a full set of organizers to support single and mass fusion splicing and is fully compliant to industry specification Telcordia GR-769, Splice Organizer Assemblies for Optical Fibers. The 4072 clear covered splice tray is designed to be installed into the Multilink® Starfighter™ 4000D Optical Fiber Splice Closures. The tray is one of a family of units that support fiber splicing.

Specifications

Parameter	Specification
Dimensions:	11.75"L x 6"D x .5"D
Splice Capacity:	(36) Single (72) Single Double Stacked (96) Mass Fused Fibers
Operating Temperature:	-40°C - +40°C
Operating Humidity Level:	Up to 100%
Material:	Plastic
Color:	Blue Clear
Standards:	Telcordia GR-769

Dimensional Drawings

065-001-10]



Contact Us

North America	Europe, Middle East & Africa	Latin & South America
Tel: +1 440 366 6966	Tel: +1 440 366 6966	Tel: +1 440 366 6966
Fax: +1 440 366 6802	Fax: +1 440 366 6802	Fax: +1 440 366 6802
Email: engsupport@gomultilink.com	Email: engsupport@gomultilink.com	Email: lasupport@gomultilink.com

Multilink®

Innovation At Work

Multilink Inc.
 580 Ternes Ln
 Elyria, OH 44035
 Tel: (440) 366-6966
 Fax: (440) 366-6802



facebook.com/GoMultilink1



twitter.com/GoMultilink



youtube.com/GoMultilink

© Multilink Inc. 2019 • All Rights Reserved

North America	Europe, Middle East & Africa	Latin & South America
Tel: +1 440 366 6966 Fax: +1 440 366 6802 Email: engsupport@gomultilink.com	Tel: +1 440 366 6966 Fax: +1 440 366 6802 Email: engsupport@gomultilink.com	Tel: +1 440 366 6966 Fax: +1 440 366 6802 Email: lasupport@gomultilink.com

Contact Us