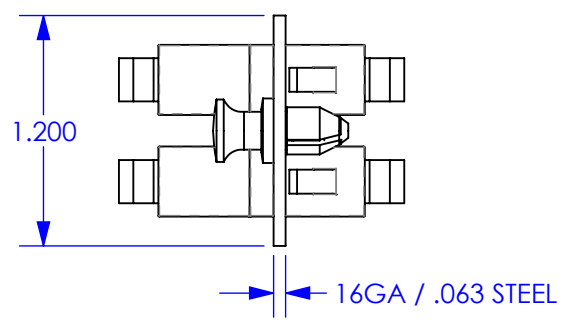
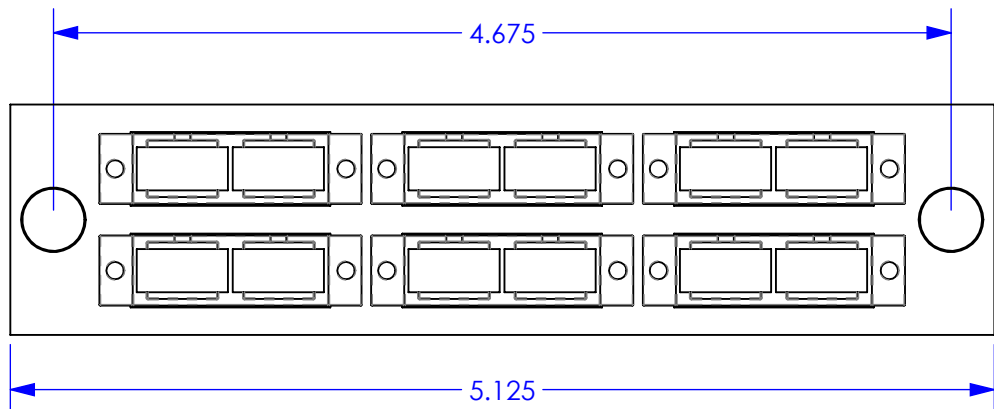
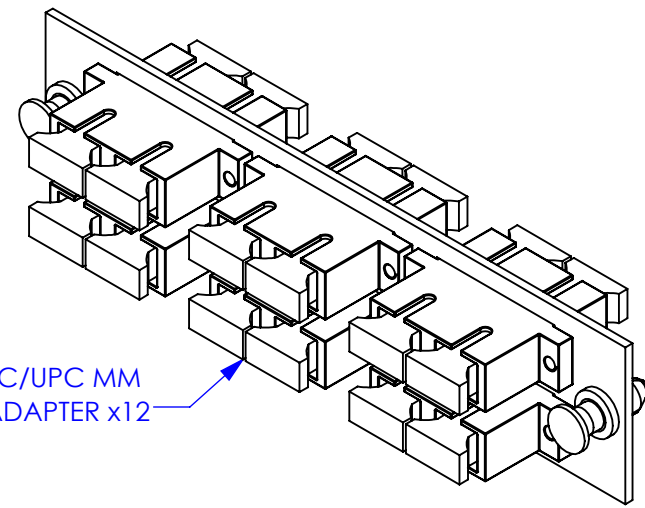
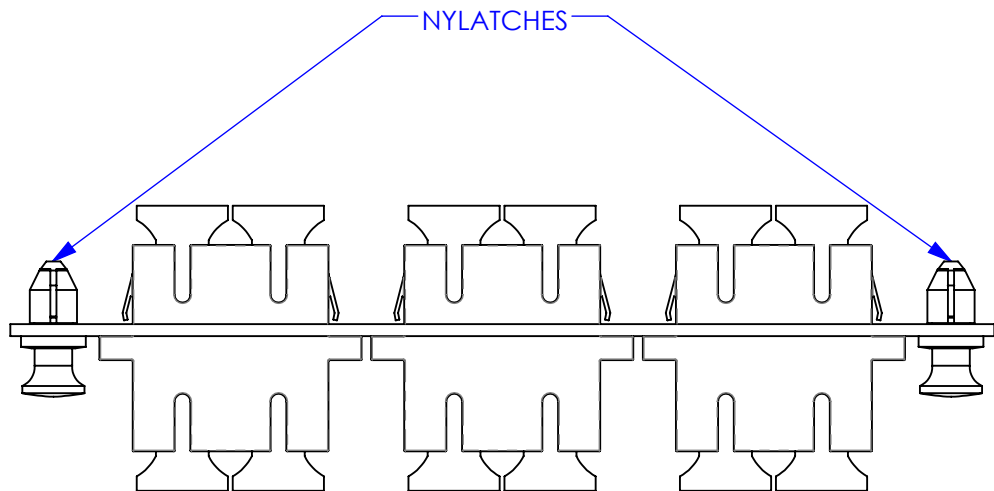


REV	ECN#	DESCRIPTION OF CHANGE	DATE	BY	MFG ENG
01	N/A	INITIAL RELEASE	03/12/09	JR	



UNLESS OTHERWISE SPECIFIED
DIMENSIONS ARE IN INCHES
TOLERANCES ARE:
FRACTIONS DECIMALS ANGLES
±1/32 .XX=±.03 ±1°
.XXX=±.010

ALL FLATS TO BE ±.005
**NO SHARP EDGES OR
BURRS ALLOWED**

MATERIAL:
SEE B.O.M.

FINISH:
AQUA

DO NOT SCALE DRAWING

THIS DOCUMENT AND THE INFORMATION
CONTAINED THEREIN ARE CONFIDENTIAL
& PROPRIETARY TO MULTILINK AND MAY NOT
BE COPIED OR DISCLOSED TO OTHERS
WITHOUT A WRITTEN CONSENT FROM
MULTILINK. THE INFORMATION IS TO BE
PROMPTLY RETURNED TO MULTILINK UPON
REQUEST.

DRAWN BY: JR DATE: 03/12/09

CHECKED: DATE:

MFG ENG: DATE:

QUALITY ENG: DATE:



MSCG-12-MM-P-BK-SC-
10GIG LOADED PANEL

SIZE A	DWG. NO. 065-243-10REF	REV. 01
SCALE: 1:1	CAD FILE: 065-243-10REF	SHEET 1 OF 1