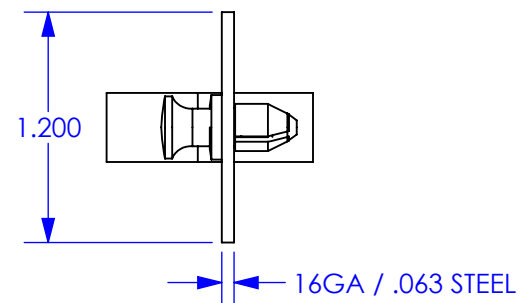
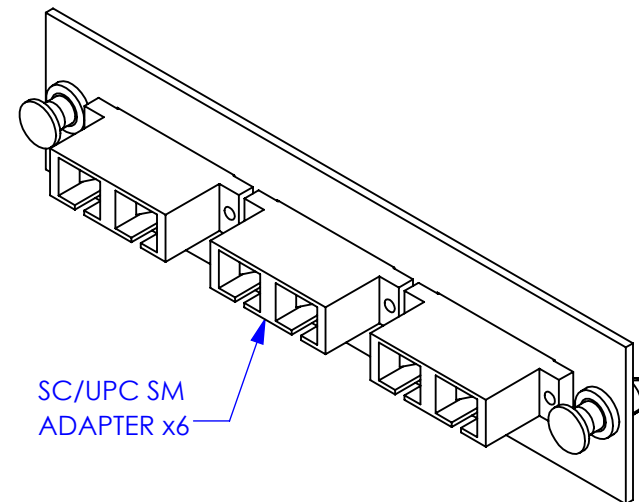
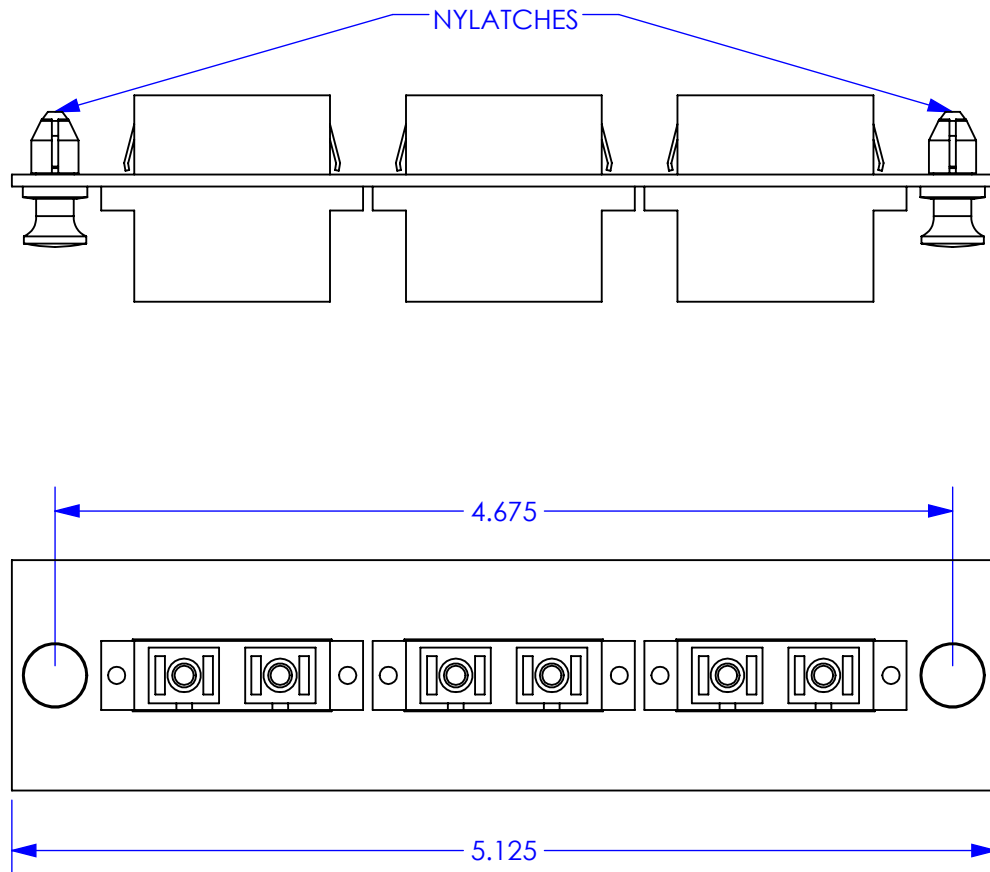


| REV | ECN# | DESCRIPTION OF CHANGE | DATE     | BY | MFG ENG |
|-----|------|-----------------------|----------|----|---------|
| 01  | N/A  | INITIAL RELEASE       | 02/02/11 | JR |         |
|     |      |                       |          |    |         |
|     |      |                       |          |    |         |



UNLESS OTHERWISE SPECIFIED  
DIMENSIONS ARE IN INCHES  
TOLERANCES ARE:  
FRACTIONS DECIMALS ANGLES  
±1/32 .XX=±.03 ±1°  
.XXX=±.010

ALL FLATS TO BE ±.005

**NO SHARP EDGES OR  
BURRS ALLOWED**

MATERIAL:  
SEE B.O.M.

FINISH:  
BLACK TEXTURED

DO NOT SCALE DRAWING

THIS DOCUMENT AND THE INFORMATION  
CONTAINED THEREIN ARE CONFIDENTIAL  
& PROPRIETARY TO MULTILINK AND MAY NOT  
BE COPIED OR DISCLOSED TO OTHERS  
WITHOUT A WRITTEN CONSENT FROM  
MULTILINK. THE INFORMATION IS TO BE  
PROMPTLY RETURNED TO MULTILINK UPON  
REQUEST.

DRAWN BY: JR DATE: 02/02/11

CHECKED: DATE:

MFG ENG: DATE:

QUALITY ENG: DATE:

**Multilink**

MSC-06D-SM-C-BK  
LOADED PNL

SIZE DWG. NO. REV.  
**A** 065-478-10REF 01

SCALE: 1:1 CAD FILE: 065-478-10REF SHEET 1 OF 1