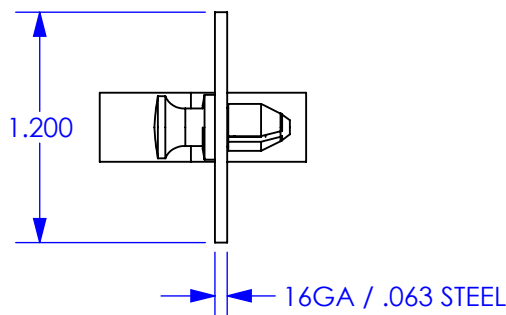
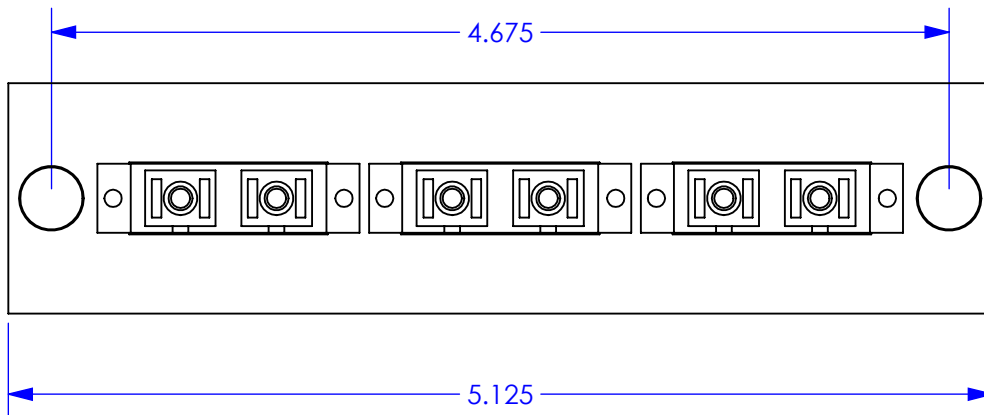
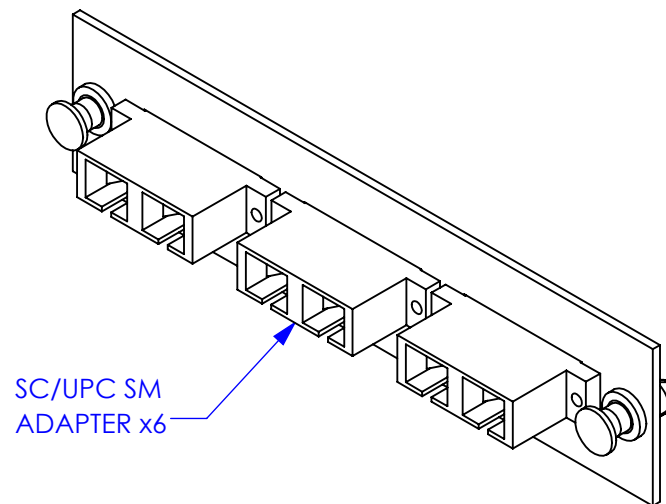
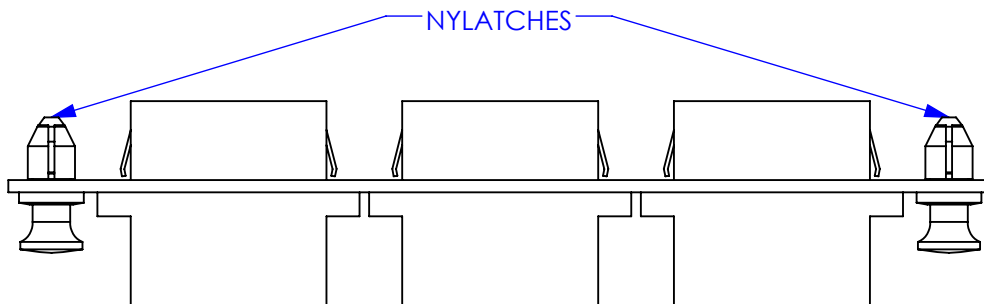


REV	ECN#	DESCRIPTION OF CHANGE	DATE	BY	MFG ENG
01	N/A	INITIAL RELEASE	02/02/11	JR	



UNLESS OTHERWISE SPECIFIED
DIMENSIONS ARE IN INCHES
TOLERANCES ARE:
FRACTIONS DECIMALS ANGLES
±1/32 .XX=±.03 ±1°
.XXX=±.010

ALL FLATS TO BE ±.005
**NO SHARP EDGES OR
BURRS ALLOWED**

MATERIAL:
SEE B.O.M.
FINISH:
OFF WHITE TEXTURED
DO NOT SCALE DRAWING

THIS DOCUMENT AND THE INFORMATION
CONTAINED THEREIN ARE CONFIDENTIAL
& PROPRIETARY TO MULTILINK AND MAY NOT
BE COPIED OR DISCLOSED TO OTHERS
WITHOUT A WRITTEN CONSENT FROM
MULTILINK. THE INFORMATION IS TO BE
PROMPTLY RETURNED TO MULTILINK UPON
REQUEST.

DRAWN BY: JR DATE: 02/02/11
CHECKED: DATE:
MFG ENG: DATE:
QUALITY ENG: DATE:

Multilink

MSC-06D-SM-C-OW
LOADED PNL

SIZE DWG. NO. 065-478-11REF REV. 01
SCALE: 1:1 CAD FILE: 065-478-11REF SHEET 1 OF 1