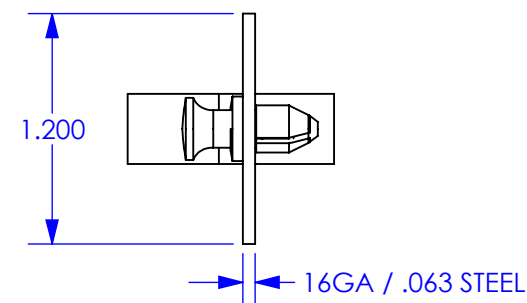
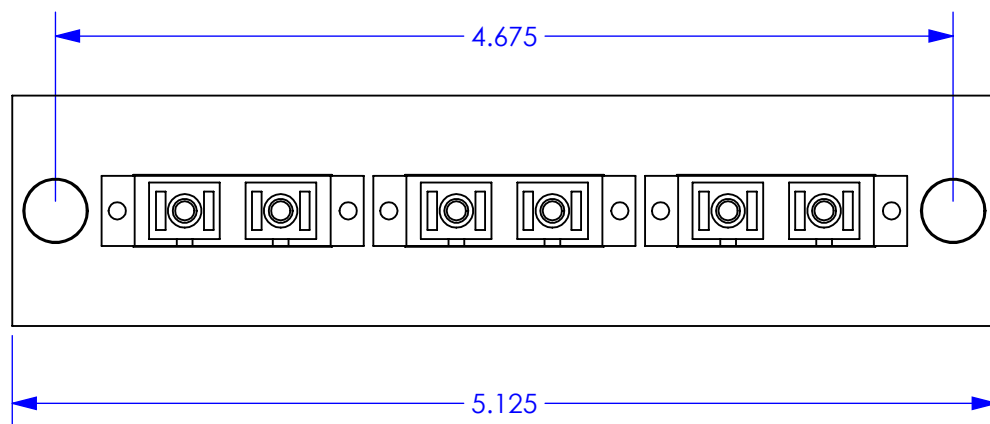
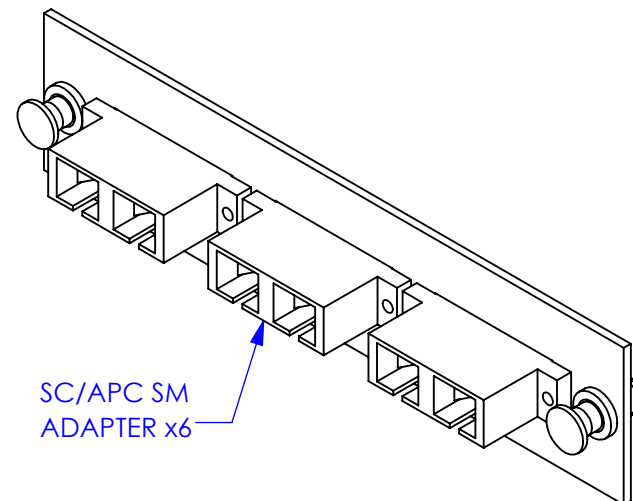
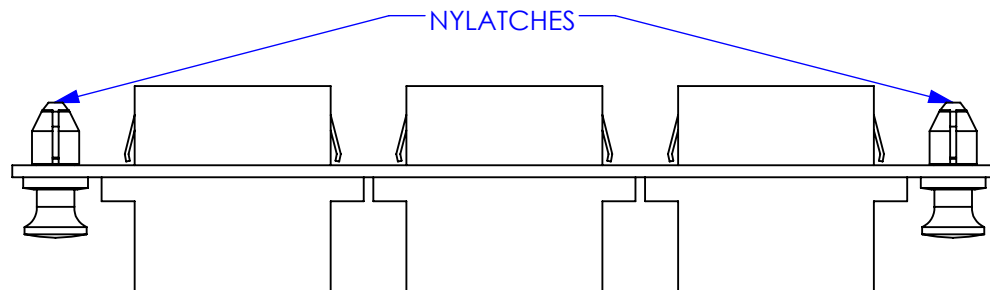


REV	ECN#	DESCRIPTION OF CHANGE	DATE	BY	MFG ENG
01	N/A	INITIAL RELEASE	02/02/11	JR	



UNLESS OTHERWISE SPECIFIED  
DIMENSIONS ARE IN INCHES  
TOLERANCES ARE:  
FRACTIONS DECIMALS ANGLES  
±1/32 .XX=±.03 ±1°  
.XXX=±.010

ALL FLATS TO BE ±.005  
**NO SHARP EDGES OR  
BURRS ALLOWED**

MATERIAL:  
SEE B.O.M.

FINISH:  
OFF WHITE TEXTURED

DO NOT SCALE DRAWING

THIS DOCUMENT AND THE INFORMATION  
CONTAINED THEREIN ARE CONFIDENTIAL  
& PROPRIETARY TO MULTILINK AND MAY NOT  
BE COPIED OR DISCLOSED TO OTHERS  
WITHOUT A WRITTEN CONSENT FROM  
MULTILINK. THE INFORMATION IS TO BE  
PROMPTLY RETURNED TO MULTILINK UPON  
REQUEST.

DRAWN BY: JR DATE: 02/02/11

CHECKED: DATE:

MFG ENG: DATE:

QUALITY ENG: DATE:

**Multilink**

MSCA-06D-SM-C-OW  
LOADED PNL

SIZE DWG. NO. 065-479-11REF REV. 01  
SCALE: 1:1 CAD FILE: 065-479-11REF SHEET 1 OF 1