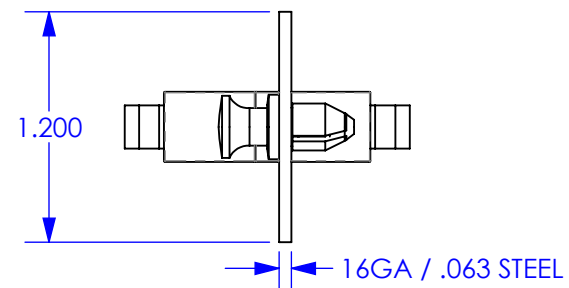
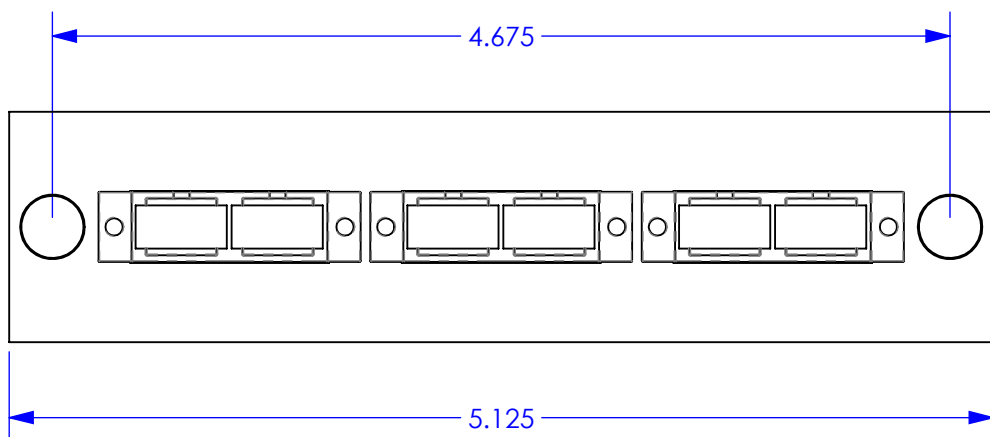
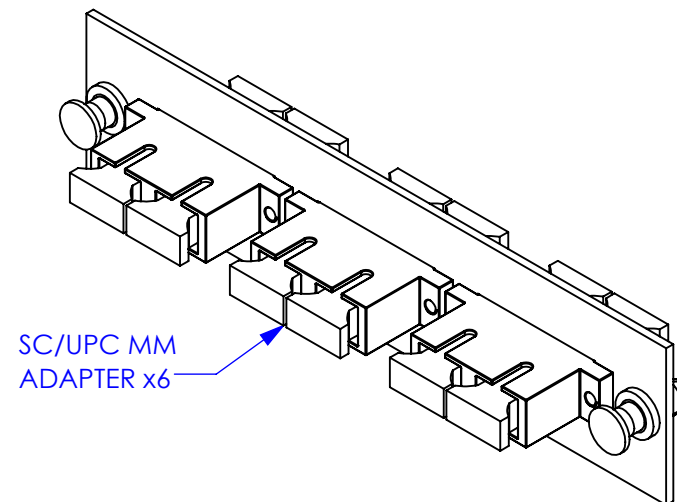
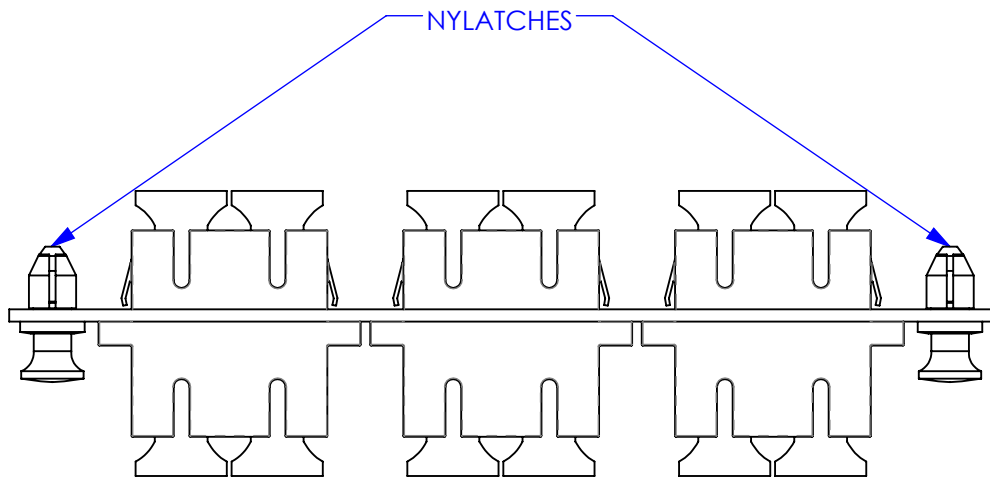


REV	ECN#	DESCRIPTION OF CHANGE	DATE	BY	MFG ENG
01	N/A	INITIAL RELEASE	02/02/11	JR	



UNLESS OTHERWISE SPECIFIED
DIMENSIONS ARE IN INCHES
TOLERANCES ARE:
FRACTIONS DECIMALS ANGLES
±1/32 .XX=±.03 ±1°
.XXX=±.010

ALL FLATS TO BE ±.005
**NO SHARP EDGES OR
BURRS ALLOWED**

MATERIAL:
SEE B.O.M.
FINISH:
BLACK TEXTURED
DO NOT SCALE DRAWING

**THIS DOCUMENT AND THE INFORMATION
CONTAINED THEREIN ARE CONFIDENTIAL
& PROPRIETARY TO MULTILINK AND MAY NOT
BE COPIED OR DISCLOSED TO OTHERS
WITHOUT A WRITTEN CONSENT FROM
MULTILINK. THE INFORMATION IS TO BE
PROMPTLY RETURNED TO MULTILINK UPON
REQUEST.**

DRAWN BY: **JR** DATE: **02/02/11**
CHECKED: DATE:
MFG ENG: DATE:
QUALITY ENG: DATE:

Multilink

MSCG-06D-MM-P-BK
LOADED PNL

SIZE DWG. NO. **A** **065-480-10REF** REV. **01**
SCALE: 1:1 CAD FILE: **065-480-10REF** SHEET 1 OF 1