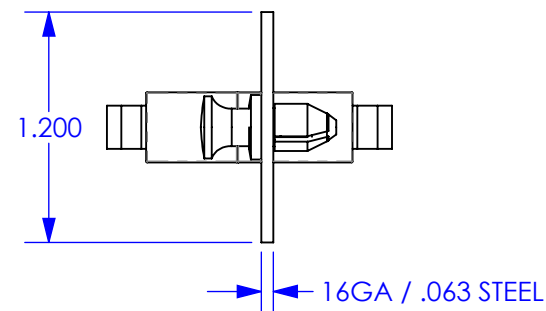
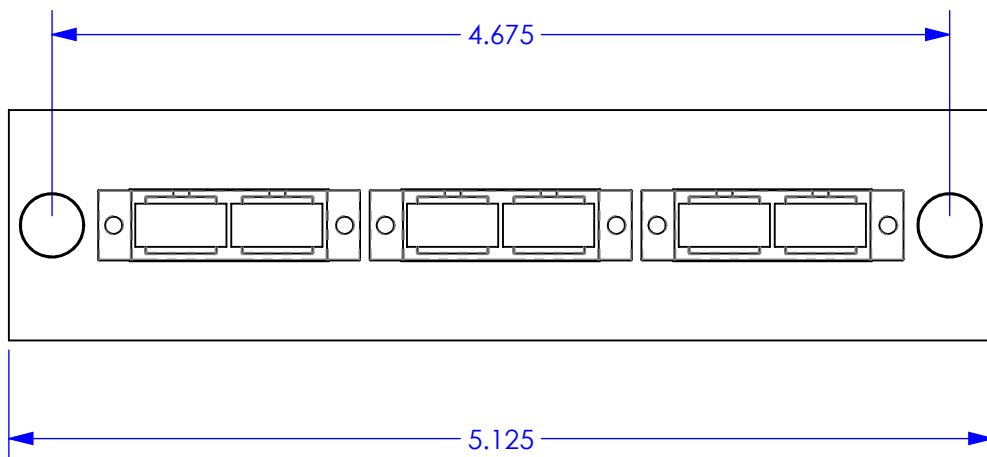
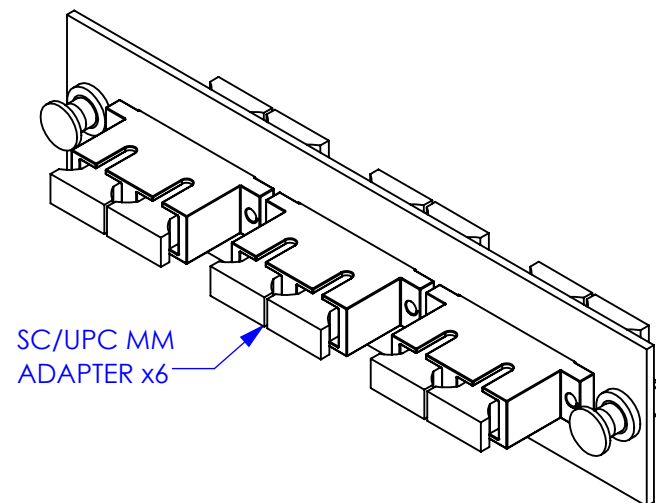
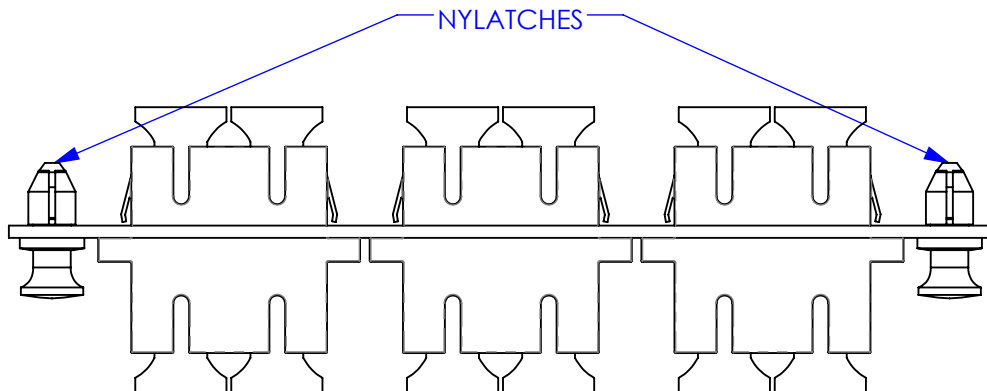


REV	ECN#	DESCRIPTION OF CHANGE	DATE	BY	MFG ENG
01	N/A	INITIAL RELEASE	02/02/11	JR	



UNLESS OTHERWISE SPECIFIED
DIMENSIONS ARE IN INCHES
TOLERANCES ARE:
FRACTIONS DECIMALS ANGLES
±1/32 .XX=±.03 ±1°
.XXX=±.010
ALL FLATS TO BE ±.005

**NO SHARP EDGES OR
BURRS ALLOWED**

MATERIAL:
SEE B.O.M.

FINISH:
OFF WHITE TEXTURED

DO NOT SCALE DRAWING

THIS DOCUMENT AND THE INFORMATION
CONTAINED THEREIN ARE CONFIDENTIAL
& PROPRIETARY TO MULTILINK AND MAY NOT
BE COPIED OR DISCLOSED TO OTHERS
WITHOUT A WRITTEN CONSENT FROM
MULTILINK. THE INFORMATION IS TO BE
PROMPTLY RETURNED TO MULTILINK UPON
REQUEST.

DRAWN BY: JR DATE: 02/02/11
CHECKED: DATE:
MFG ENG: DATE:
QUALITY ENG: DATE:

Multilink

MSCG-06D-MM-P-OW
LOADED PNL

SIZE DWG. NO. REV.
A 065-480-11REF 01

SCALE: 1:1 CAD FILE: 065-480-11REF SHEET 1 OF 1