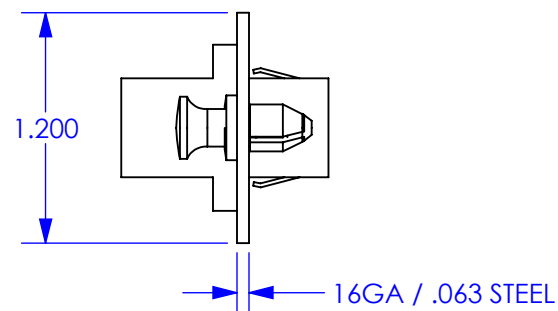
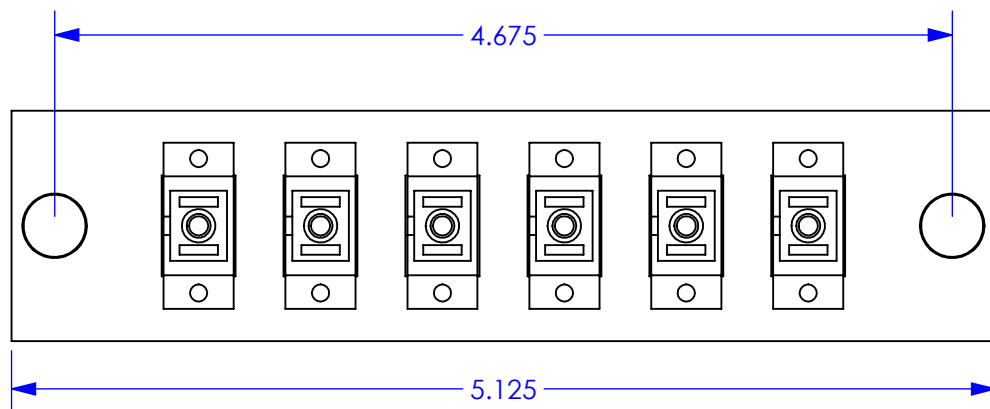
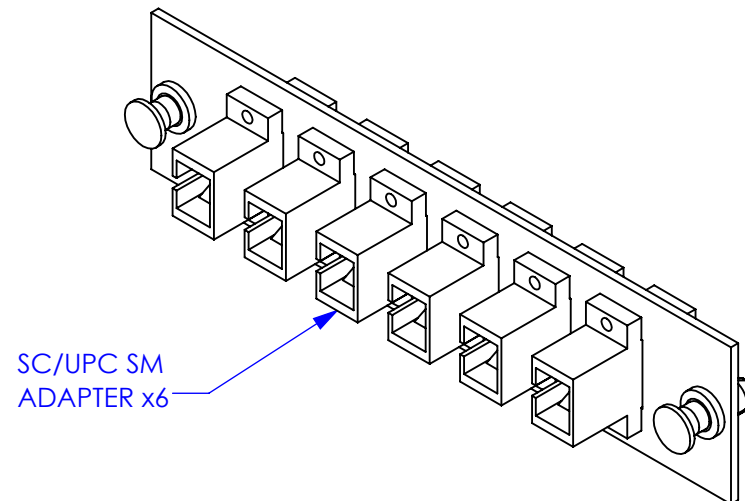
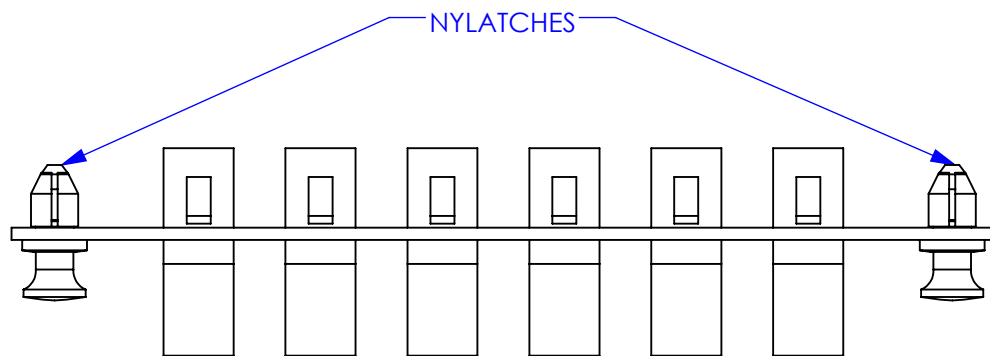


10-4810REF

REV	ECN#	DESCRIPTION OF CHANGE	DATE	BY	MFG ENG
01	N/A	INITIAL RELEASE		SK	



UNLESS OTHERWISE SPECIFIED
DIMENSIONS ARE IN INCHES
TOLERANCES ARE:
FRACTIONS DECIMALS ANGLES
±1/32 .XX=±.03 ±1°
.XXX=±.010

ALL FLATS TO BE ±.005
**NO SHARP EDGES OR
BURRS ALLOWED**

MATERIAL:
SEE B.O.M.

FINISH:
BLACK TEXTURED

DO NOT SCALE DRAWING

THIS DOCUMENT AND THE INFORMATION
CONTAINED THEREIN ARE CONFIDENTIAL
& PROPRIETARY TO MULTILINK AND MAY NOT
BE COPIED OR DISCLOSED TO OTHERS
WITHOUT A WRITTEN CONSENT FROM
MULTILINK. THE INFORMATION IS TO BE
PROMPTLY RETURNED TO MULTILINK UPON
REQUEST.

DRAWN BY: SK DATE: 01/04/06

CHECKED: DATE:

MFG ENG: DATE:

QUALITY ENG: DATE:

Multilink

MSC-06-SM-C-BLK LOADED
SC SM CERAMIC
6 PACK PANEL

SIZE DWG. NO. REV.
A 10-4810REF 01

SCALE: 1:1 CAD FILE: 10-4810REF SHEET 1 OF 1