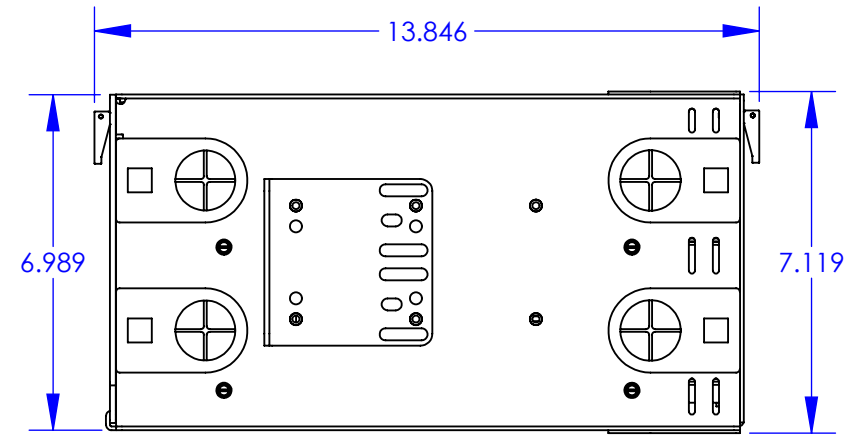
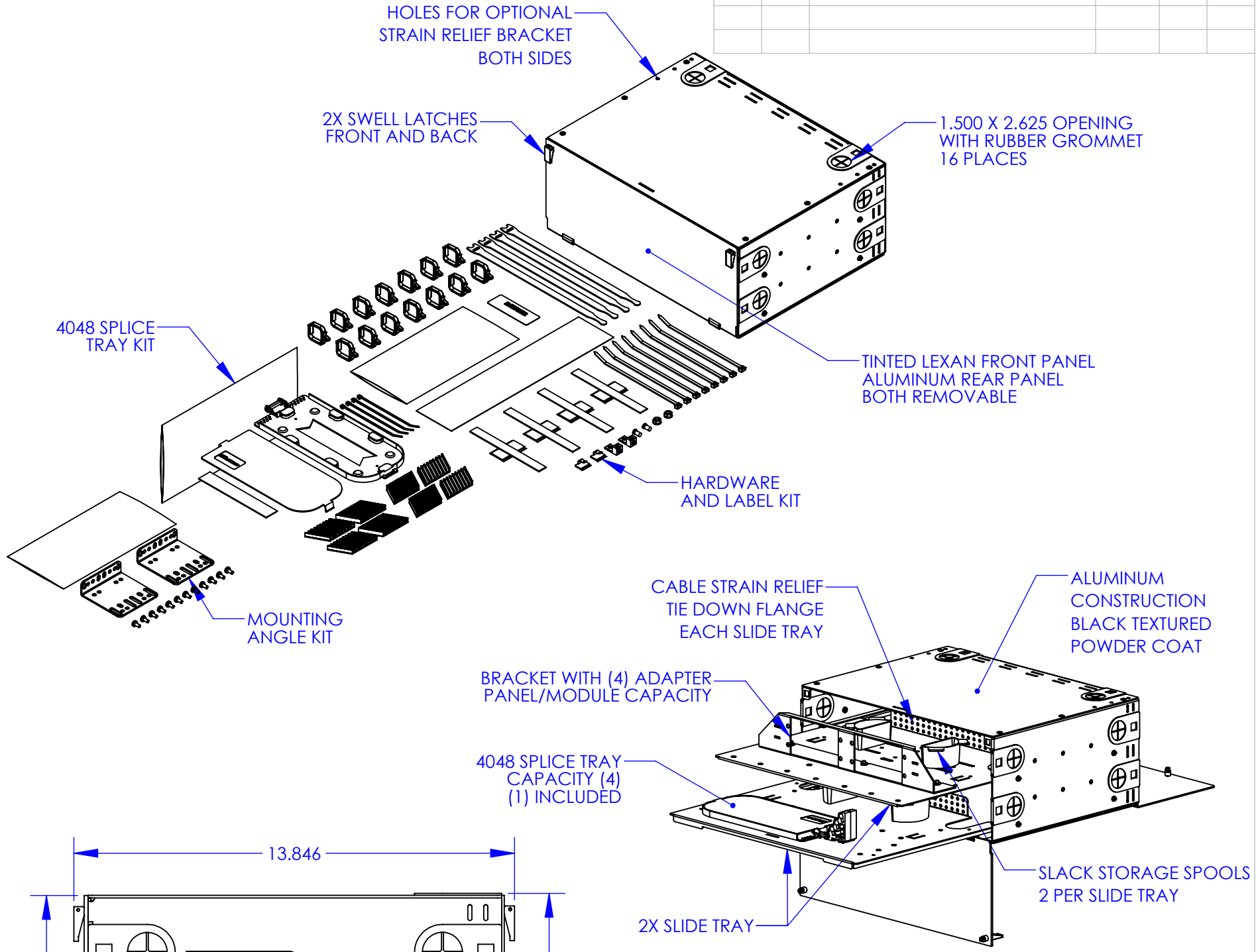
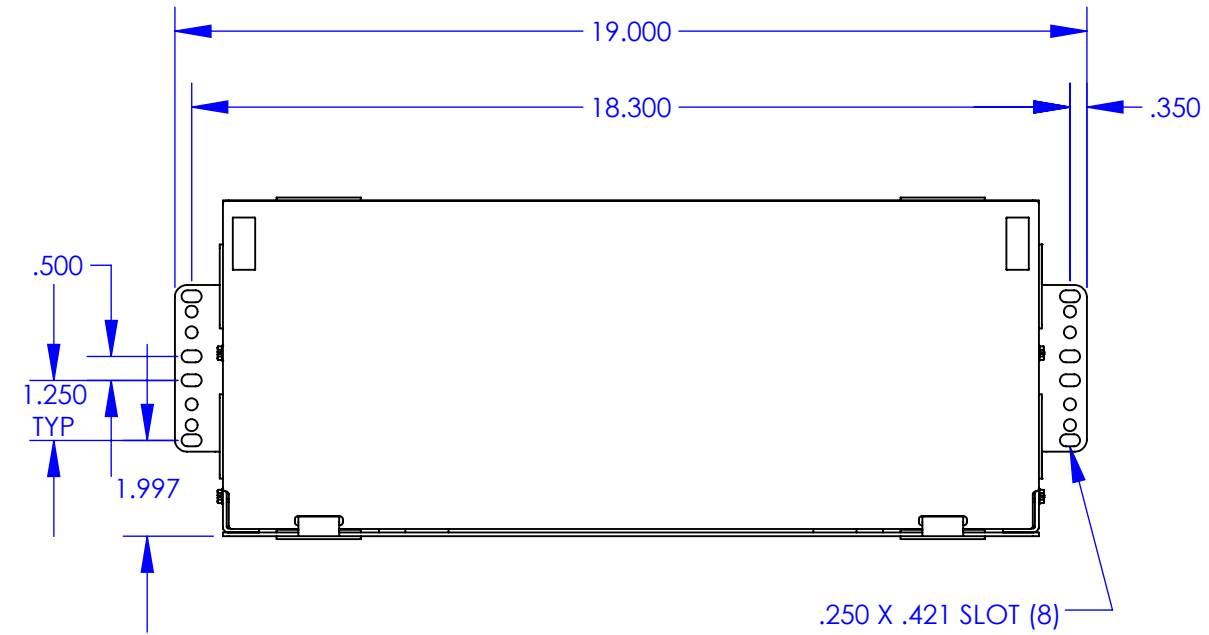
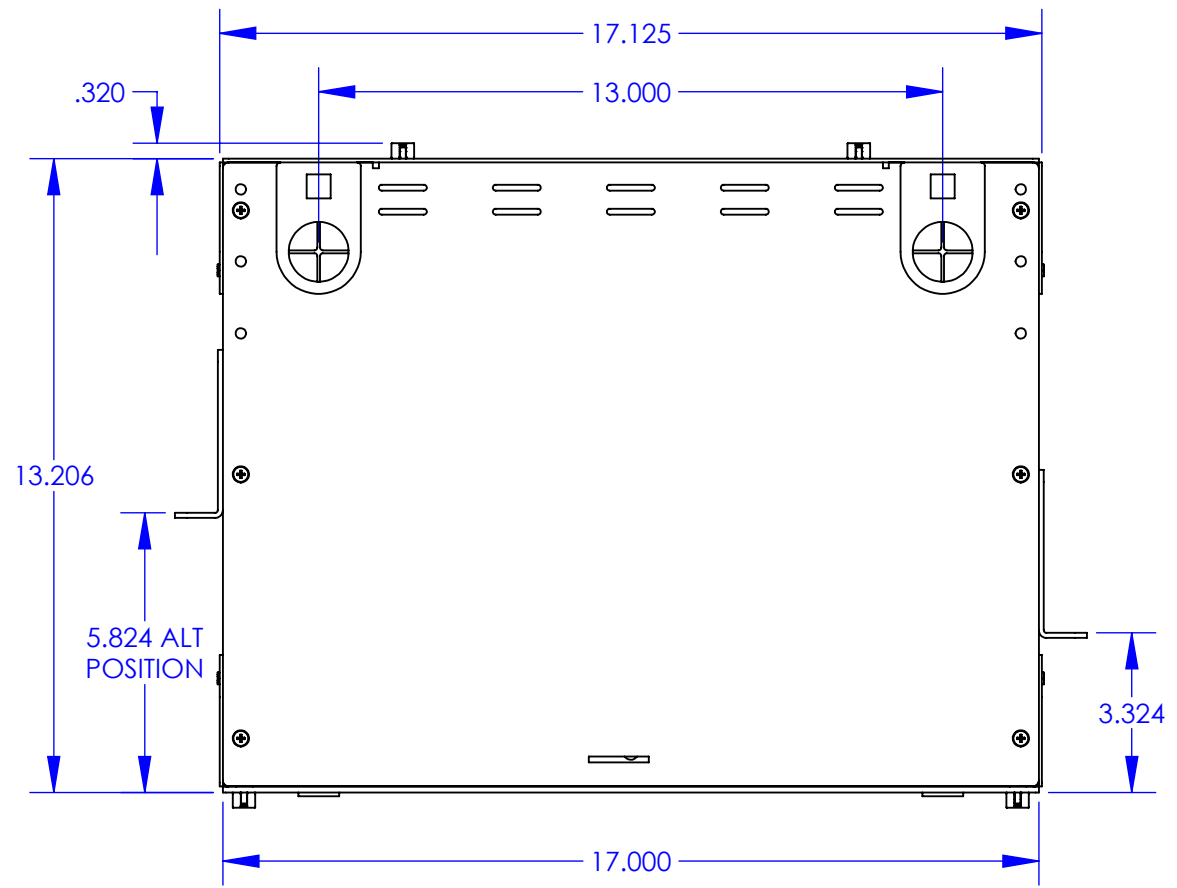


REV.	ECN #	DESCRIPTION OF CHANGE	DATE	BY	MFG ENG
05	N/A	CREATE NEW REF DRAWING	11/05/15	SAB	



UNLESS OTHERWISE SPECIFIED DIMENSIONS ARE IN INCHES TOLERANCES ARE:  
 FRACTIONS: DECIMALS: ANGLES:  
 ±1/32 .XX=±.03 ±1°  
 .XXX=±.010  
 ALL FLATS TO BE ±.005  
**NO SHARP EDGES OR BURRS ALLOWED**  
 MATERIAL: SEE B.O.M.  
 FINISH: BLACK TEXTURED  
 DO NOT SCALE DRAWING

THIS DOCUMENT AND THE INFORMATION CONTAINED THEREIN ARE CONFIDENTIAL & PROPRIETARY TO MULTILINK AND MAY NOT BE COPIED OR DISCLOSED TO OTHERS WITHOUT A WRITTEN CONSENT FROM MULTILINK. THE INFORMATION IS TO BE PROMPTLY RETURNED TO MULTILINK UPON REQUEST.

DRAWN BY: DM DATE: 09/08/03  
 CHECKED: DATE:  
 MFG ENG: DATE:  
 QUALITY ENG: DATE:



FRM-4RU-PS BK

SIZE	DWG. NO.	REV.
B	10-5270REF	05
SCALE: 1:4	CAD FILE: 10-5270REF	SHEET: 1 OF 1