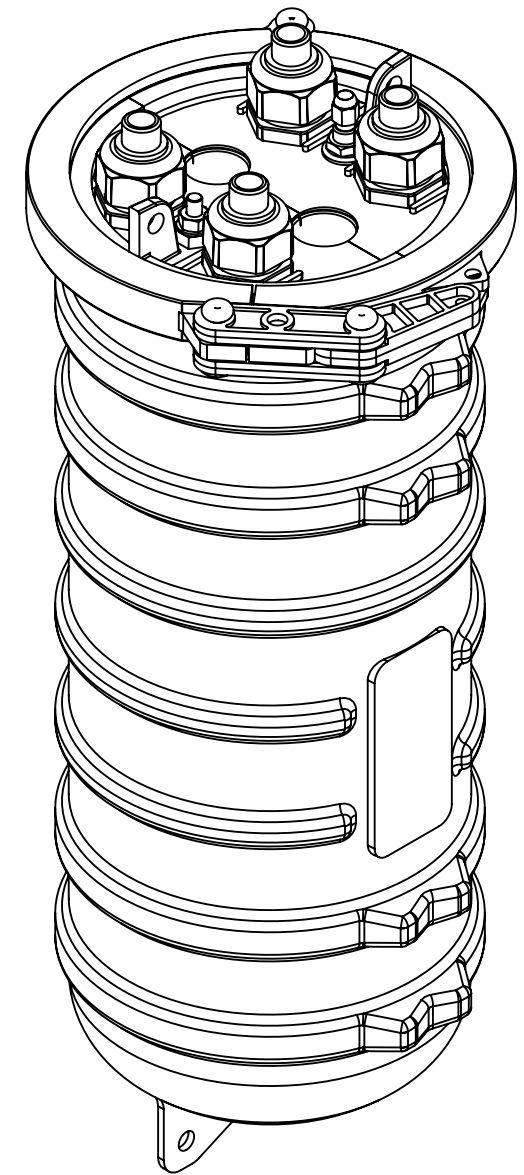
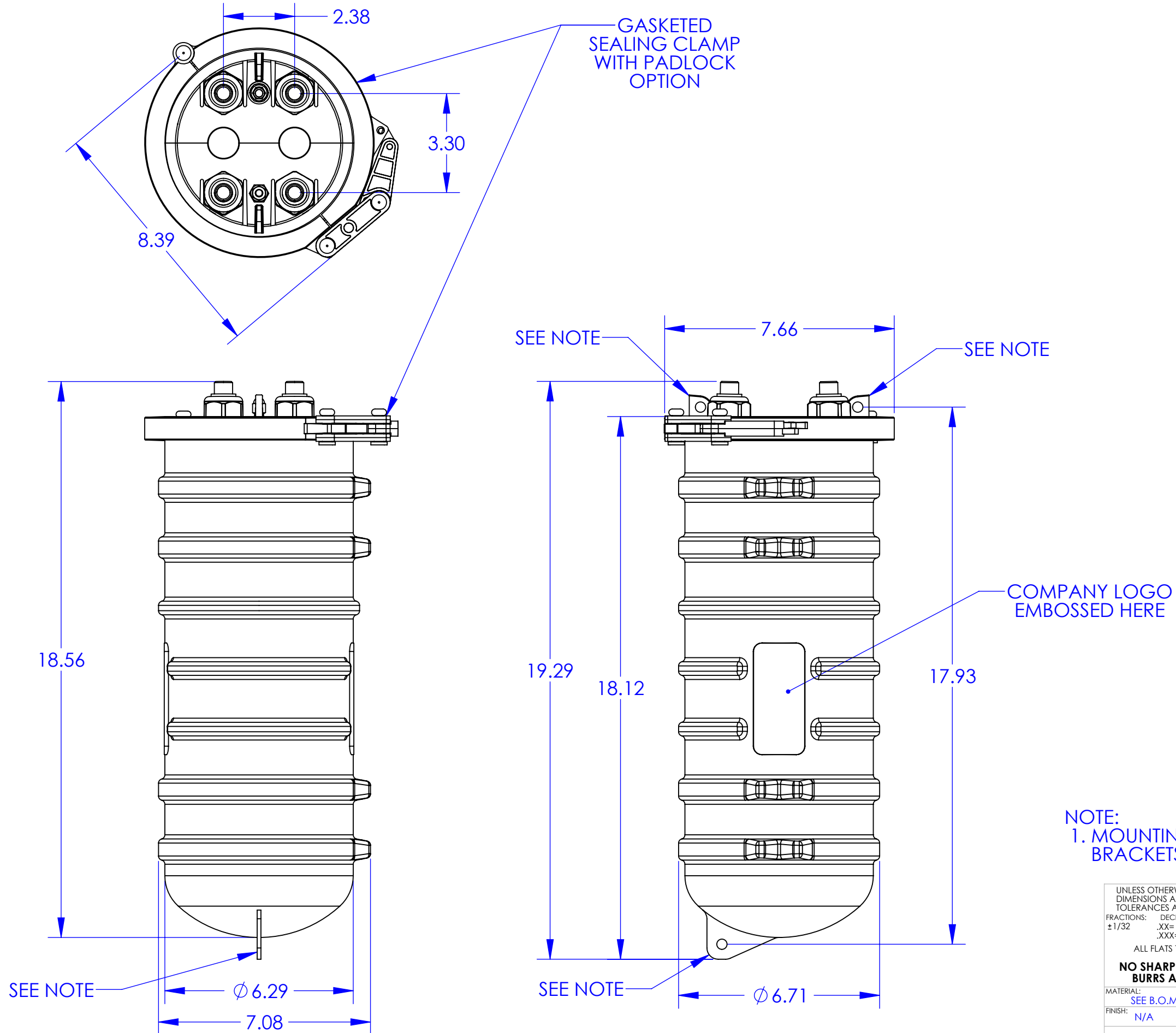


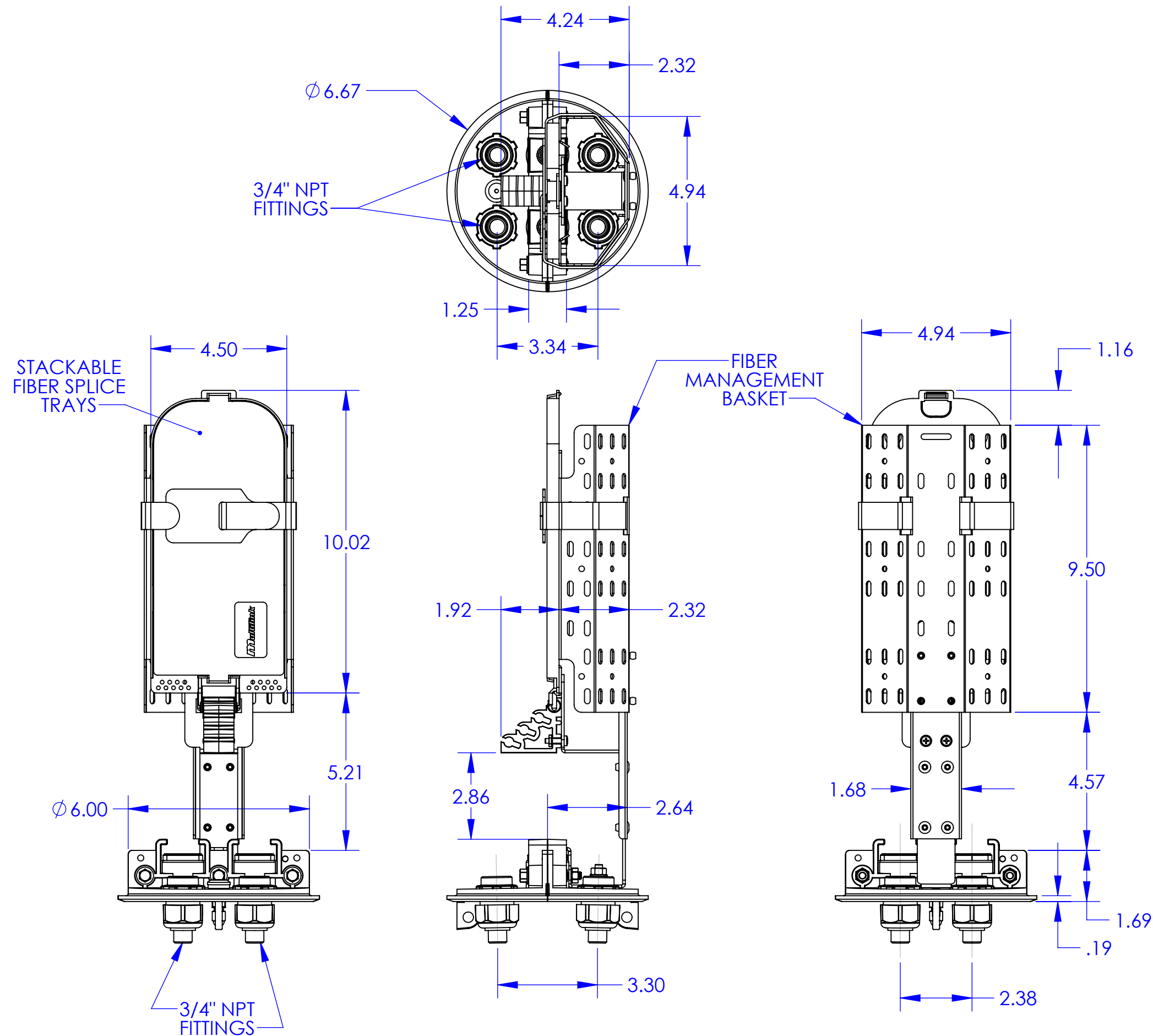
REV.	ECN #	DESCRIPTION OF CHANGE	DATE	BY	MFG ENG
01	2383	UPDATED ITEMS 1, 2, & 3 / INITIAL RELEASE	05/19/11	L.P.K.	
02	2502	ADDED NOTE 7 / SEE SHEET 2	09/19/11	L.P.K.	
03	2653	REPLACED ITEM #2	03/27/12	L.P.K.	



NOTE:
1. MOUNTING PROVISIONS PROVIDED FOR AERIAL HANGER BRACKETS OR WALL/POLE MOUNTING BRACKETS.

UNLESS OTHERWISE SPECIFIED DIMENSIONS ARE IN INCHES TOLERANCES ARE: FRACTIONS: $\pm 1/32$ DECIMALS: .XX = $\pm .03$.XXX = $\pm .010$ ANGLES: $\pm 1^\circ$ ALL FLATS TO BE $\pm .005$ NO SHARP EDGES OR BURRS ALLOWED		THIS DOCUMENT AND THE INFORMATION CONTAINED THEREIN ARE CONFIDENTIAL & PROPRIETARY TO MULTILINK AND MAY NOT BE COPIED OR DISCLOSED TO OTHERS WITHOUT A WRITTEN CONSENT FROM MULTILINK. THE INFORMATION IS TO BE PROMPTLY RETURNED TO MULTILINK UPON REQUEST.			
MATERIAL: SEE B.O.M.	FINISH: N/A	DO NOT SCALE DRAWING	DRAWN BY: L.P.K. CHECKED: DATE: 01/18/2005 MFG ENG: DATE: QUALITY ENG: DATE:		
				REV. 03	

REV.	ECN #	DESCRIPTION OF CHANGE	DATE	BY	MFG ENG
01	2383	UPDATED ITEMS 1, 2, & 3 / INITIAL RELEASE	05/19/11	L.P.K.	
02	2502	ADDED NOTE 7 / SEE SHEET 2	09/19/11	L.P.K.	
03	2653	REPLACED ITEM #2	03/27/12	L.P.K.	



STACKABLE FIBER SPLICE TRAYS

MULTICENTRIC GROMMETS

UNLESS OTHERWISE SPECIFIED DIMENSIONS ARE IN INCHES TOLERANCES ARE:
 FRACTIONS: $\pm 1/32$
 DECIMALS: .XX = $\pm .03$
 ANGLES: $\pm 1^\circ$
 .XXX = $\pm .010$
 ALL FLATS TO BE $\pm .005$
NO SHARP EDGES OR BURRS ALLOWED
 MATERIAL: SEE B.O.M.
 FINISH: N/A
 DO NOT SCALE DRAWING

THIS DOCUMENT AND THE INFORMATION CONTAINED THEREIN ARE CONFIDENTIAL & PROPRIETARY TO MULTILINK AND MAY NOT BE COPIED OR DISCLOSED TO OTHERS WITHOUT A WRITTEN CONSENT FROM MULTILINK. THE INFORMATION IS TO BE PROMPTLY RETURNED TO MULTILINK UPON REQUEST.
 DRAWN BY: L.P.K.
 DATE: 01/18/2005
 CHECKED: DATE:
 MFG ENG: DATE:
 QUALITY ENG: DATE:

Multilink
 4048D SPLICE ENCL
 CARTON ASSY W/1 4048-SSTP
 SIZE B DWG. NO. 10-8365-REF REV. 03
 SCALE: 1:3.5 CAD FILE: 10-8365-REF SHEET: 2 OF 2