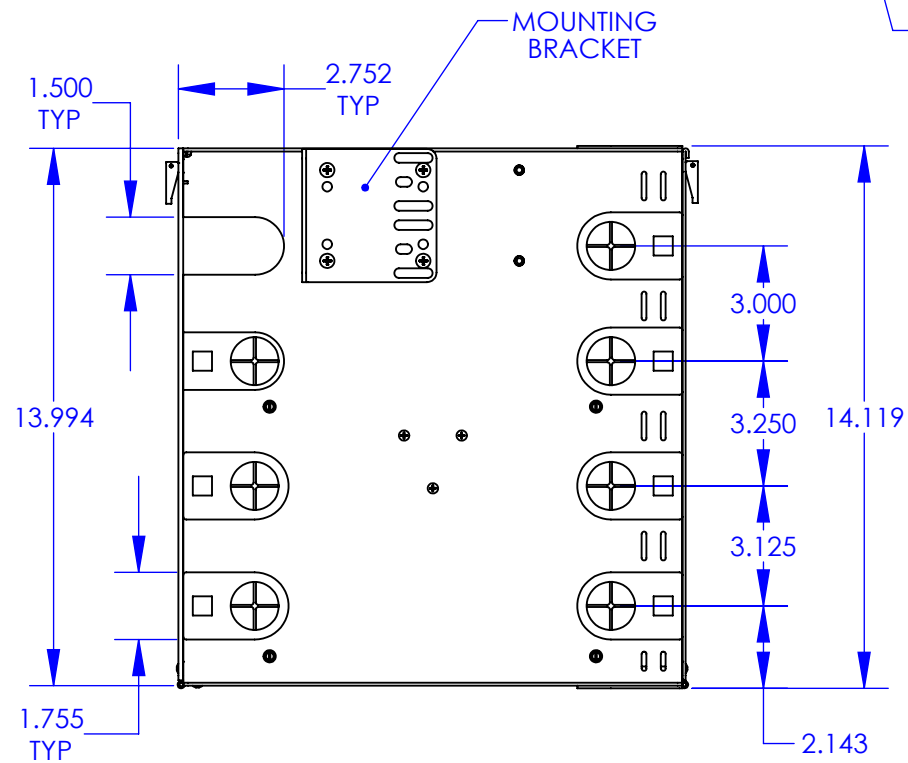
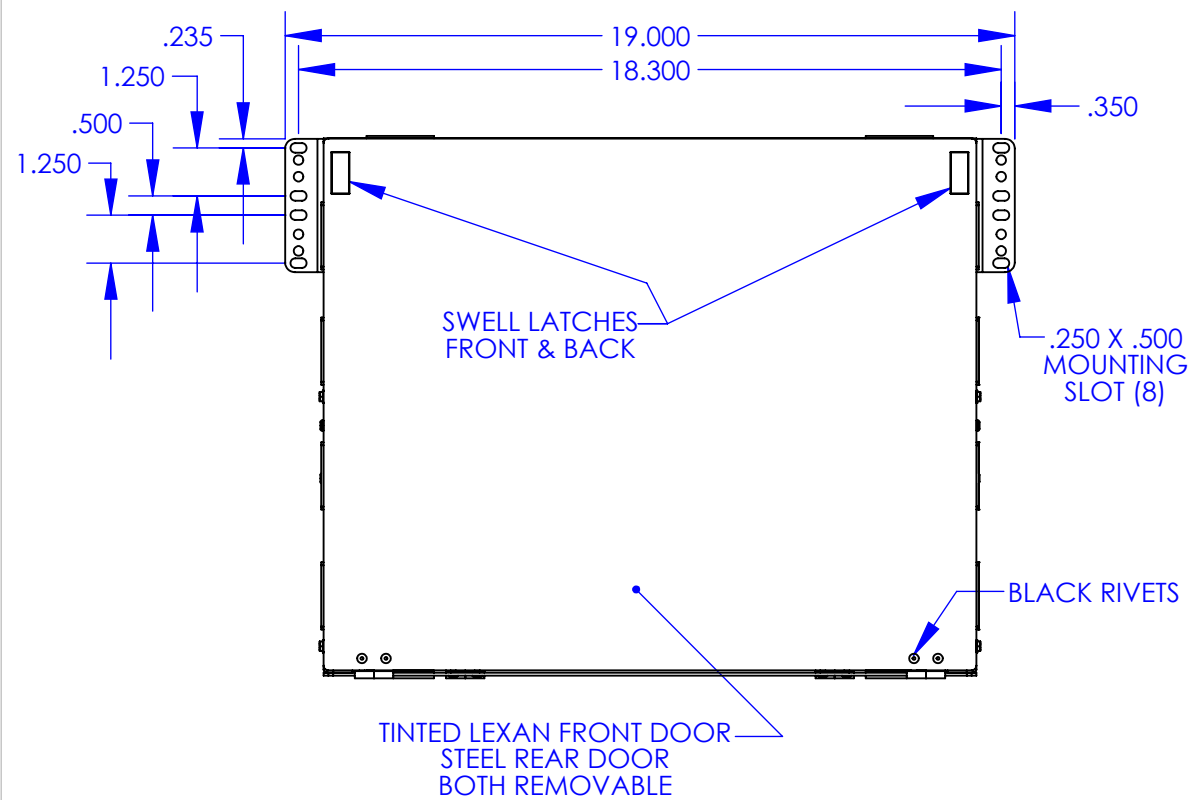
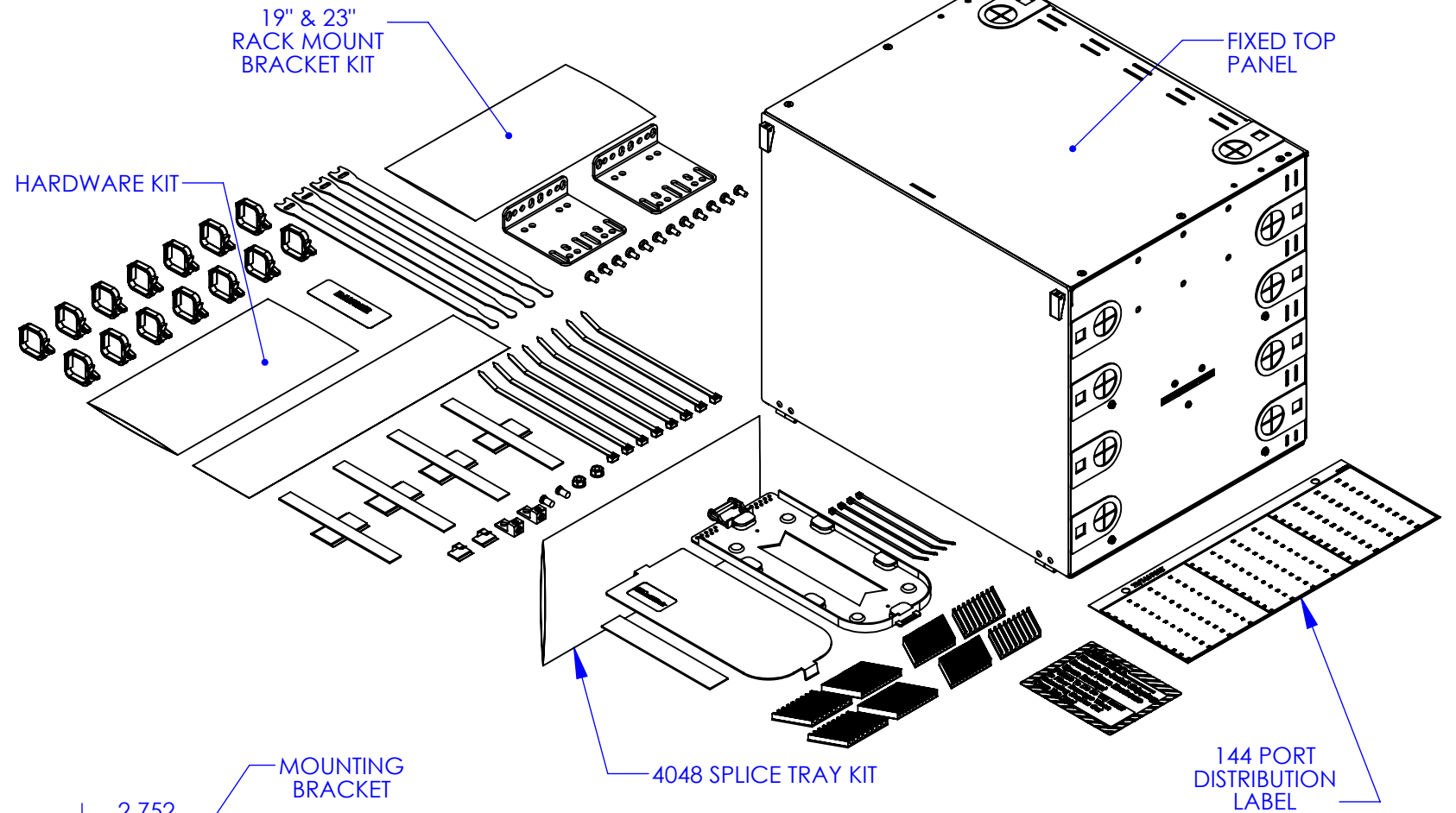
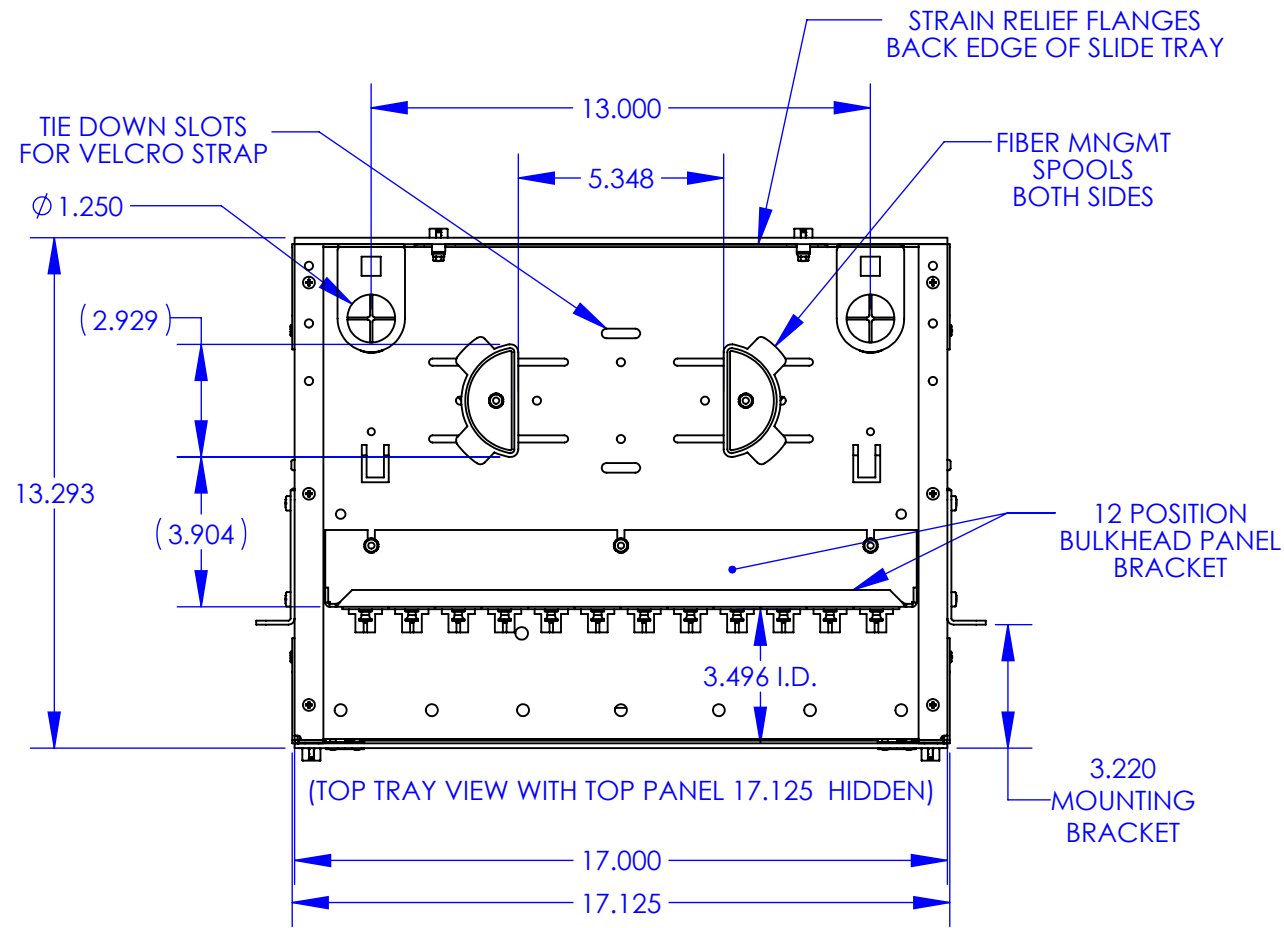


REV.	ECN #	DESCRIPTION OF CHANGE	DATE	BY	MFG ENG
03	2178	UPDATE ASSEMBLY, DESCRIPTION	09/29/10	SAB	
04	2183	ADD ITEM #30 LABEL	10/07/10	SAB	
05	2195	ADD ITEMS #31 & 32 LABELS	10/25/10	SAB	
06	2511	UPDATED ITEM#2,19 & ADDED #33	09/29/11	JR	



- NOTE:
1. THE ADDED SPLICE TRAYS & LOADED ADAPTOR PANELS ARE SHOWN FOR ILLUSTRATION PURPOSES ONLY.
 2. 1 SET OF MOUNTING BRACKETS IS PROVIDED THAT WILL ACCOMMODATE 19" & 23" RACK CONFIGURATIONS.
 3. 1 ACCESSORY HARDWARE KIT IS PROVIDED.
 4. OTHER OPTIONS AND COLORS ARE AVAILABLE.

UNLESS OTHERWISE SPECIFIED DIMENSIONS ARE IN INCHES TOLERANCES ARE:
 FRACTIONS: DECIMALS: ANGLES:
 ± 1/32 .XX ± .03 ± 1°
 .XXX ± .010
 ALL FLATS TO BE ± .005
NO SHARP EDGES OR BURRS ALLOWED
 MATERIAL: SEE B.O.M.
 FINISH: BLACK TEXTURED
 DO NOT SCALE DRAWING

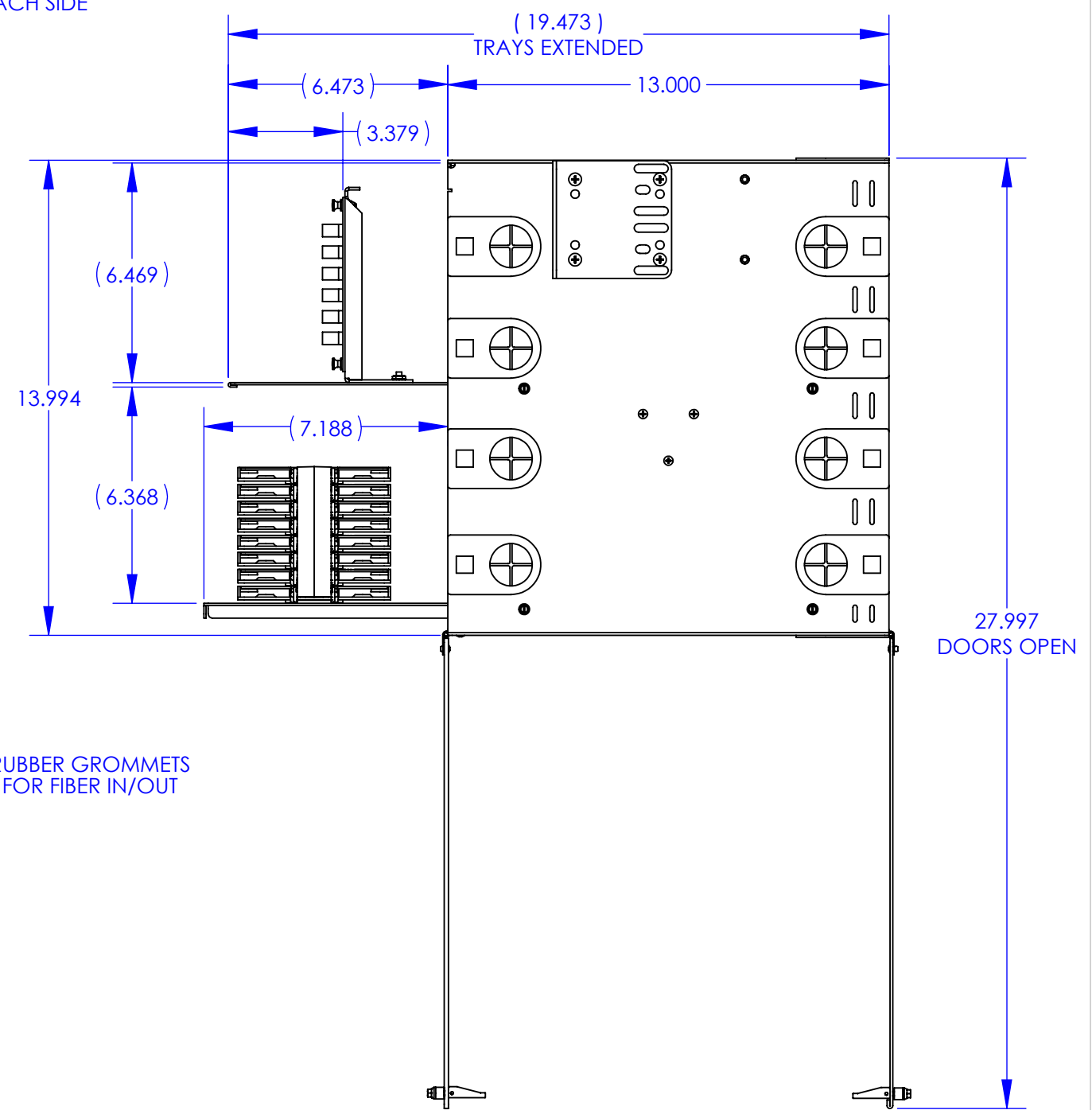
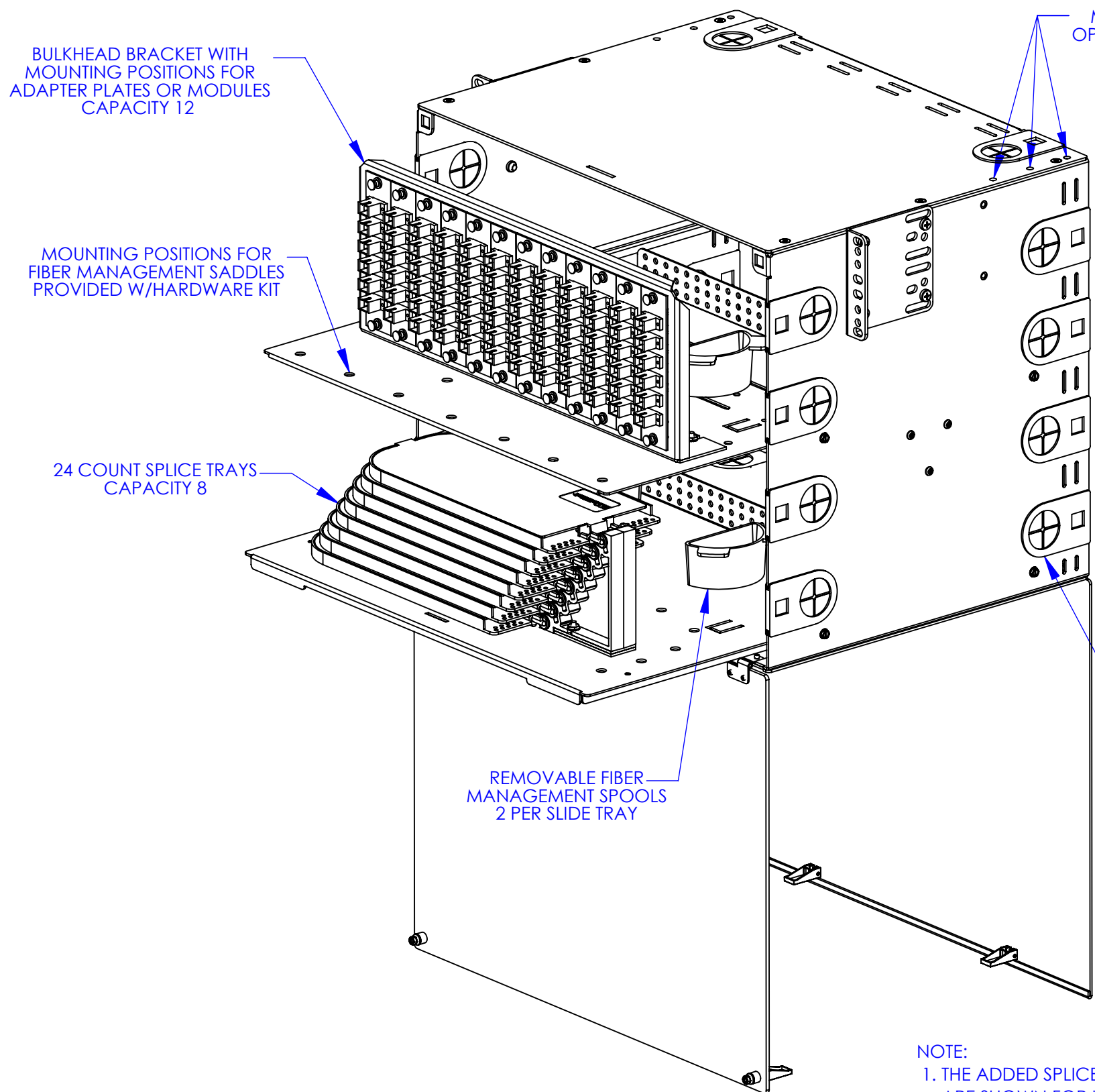
THIS DOCUMENT AND THE INFORMATION CONTAINED THEREIN ARE CONFIDENTIAL & PROPRIETARY TO MULTILINK AND MAY NOT BE COPIED OR DISCLOSED TO OTHERS WITHOUT A WRITTEN CONSENT FROM MULTILINK. THE INFORMATION IS TO BE PROMPTLY RETURNED TO MULTILINK UPON REQUEST.
 DRAWN BY: DM DATE: 02/28/05
 CHECKED: DATE:
 MFG ENG: DATE:
 QUALITY ENG: DATE:

Multilink

FRM-8RU-12X-PS BK

SIZE B DWG. NO. 10-8584REF REV. 06
 SCALE: 1:5 CAD FILE: 10-8584REF SHEET: 1 OF 2

REV.	ECN #	DESCRIPTION OF CHANGE	DATE	BY	MFG ENG
03	2178	UPDATE ASSEMBLY, DESCRIPTION	09/29/10	SAB	
04	2183	ADD ITEM #30 LABEL	10/07/10	SAB	
05	2195	ADD ITEMS #31 & 32 LABELS	10/25/10	SAB	
06	2511	UPDATED ITEM#2,19 & ADDED #33	09/29/11	JR	



NOTE:

1. THE ADDED SPLICE TRAYS & LOADED ADAPTOR PANELS ARE SHOWN FOR ILLUSTRATION PURPOSES ONLY.
2. 1 SET OF MOUNTING BRACKETS IS PROVIDED THAT WILL ACCOMMODATE 19" & 23" RACK CONFIGURATIONS.
3. 1 ACCESSORY HARDWARE KIT IS PROVIDED.
4. OTHER OPTIONS AND COLORS ARE AVAILABLE.

UNLESS OTHERWISE SPECIFIED DIMENSIONS ARE IN INCHES TOLERANCES ARE:
 FRACTIONS: ± 1/32 DECIMALS: .XX = ± .03 ANGLES: ± 1°
 .XXX = ± .010
 ALL FLATS TO BE ± .005
NO SHARP EDGES OR BURRS ALLOWED
 MATERIAL: SEE B.O.M.
 FINISH: BLACK TEXTURED
 DO NOT SCALE DRAWING

THIS DOCUMENT AND THE INFORMATION CONTAINED THEREIN ARE CONFIDENTIAL & PROPRIETARY TO MULTILINK AND MAY NOT BE COPIED OR DISCLOSED TO OTHERS WITHOUT A WRITTEN CONSENT FROM MULTILINK. THE INFORMATION IS TO BE PROMPTLY RETURNED TO MULTILINK UPON REQUEST.
 DRAWN BY: DM DATE: 02/28/05
 CHECKED: DATE:
 MFG ENG: DATE:
 QUALITY ENG: DATE:



FRM-8RU-12X-PS BK

SIZE B	DWG. NO. 10-8584REF	REV. 06
SCALE: 1:4	CAD FILE: 10-8584REF	SHEET: 2 OF 2