



## 2 Bay OTN Cabinet

### **Applications:**

An above ground housing to shelter  
Environmentally sensitive equipment from  
Rain, sleet, snow, dust, driving wind, hail,  
Corrosion, and vandalism.

### **Specifications**

Dimensions: 54 ½"W x 36 ½"D x 62 ½"H (138.4cm x 92.7cm x 158.75cm)  
Weight: 760 Pounds (344.7 kg)

### **Construction:**

Main Body: 1/8" Marine Grade Aluminum 5052-H32  
Hardware: Type 304 Stainless Steel  
Finish: Polyester Powder Coated  
Racks: 3/16" Steel E.I.A. / T.I.A. spacing (10-32 threads)  
Doors: 3 point latch for maximum security

### **Cable Entrance Compartment:**

Four slack storage brackets with heavy duty Velcro® straps to secure cables  
Two entry holes for bringing cables into the main cabinet

### **Powering Compartment:**

100 Amp Service  
8000 BTU Air conditioner with integrated heater  
60 Amp Generator Hook-up with a manual transfer switch  
AC Load Center:  
    2 GFI Outlets; 120V, 15 Amp  
    1 240V, 30 Amp Outlet  
Separate battery compartment

### **Main Cabinet:**

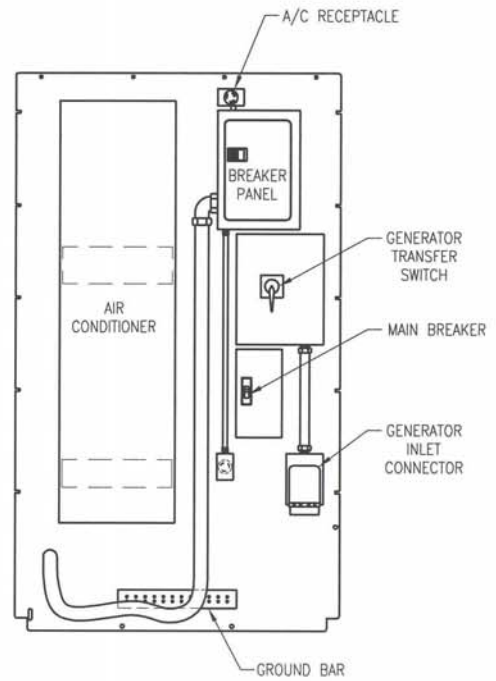
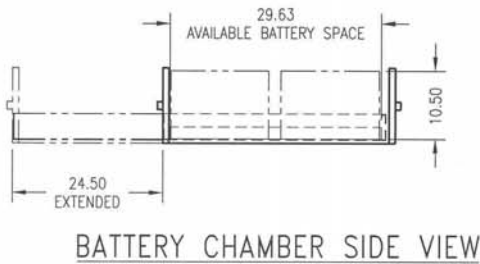
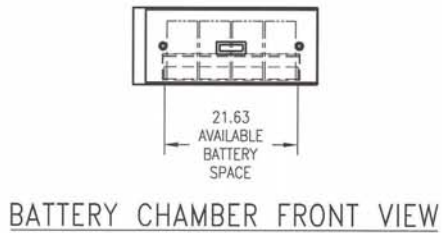
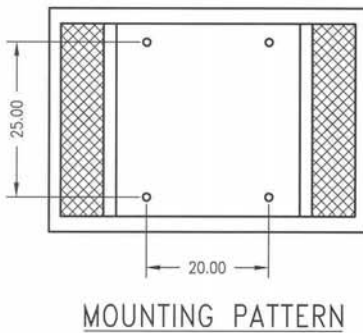
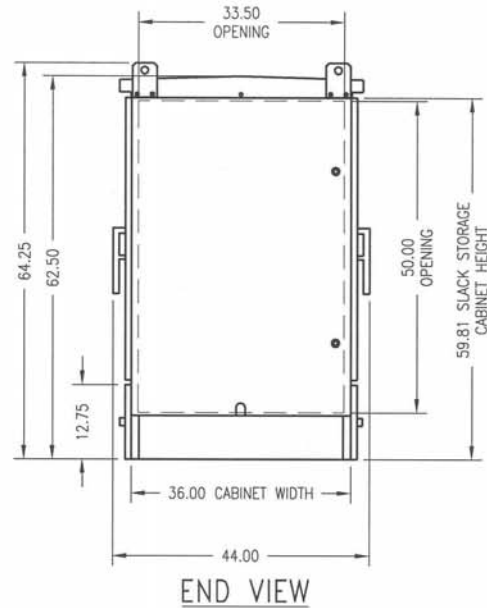
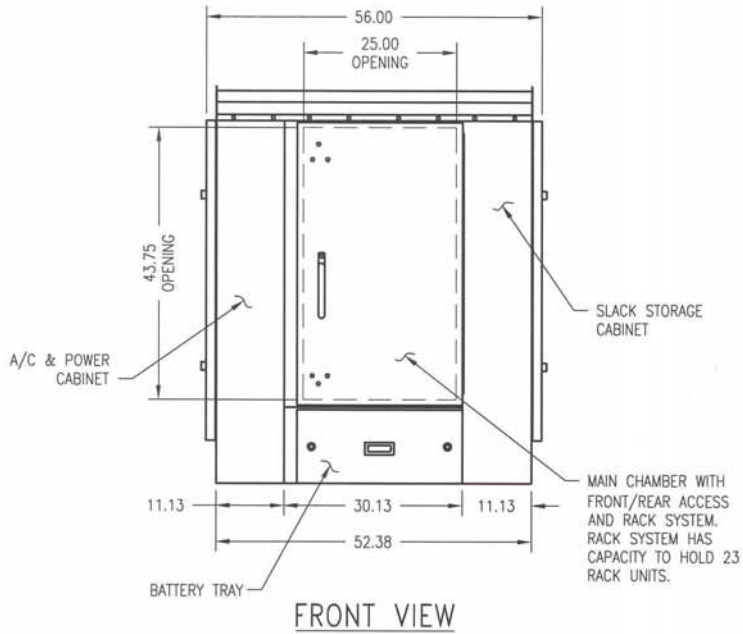
1 19"-23" Adjustable width racks, also adjustable front to rear position (43" tall)  
1 19"23" Adjustable width racks, swing out for ease of rear equipment access (40" tall)  
83" of total inches of rack space (47 RU)  
2, 15 Watt Shatter-shield light fixtures

### **Grounding**

All components are grounded to the main copper bus bar

### **Mounting:**

Stainless steel frame structure is provided to be placed in wet concrete for mounting



**A/C & POWER CABINET LAYOUT**



582 Ternes Avenue  
 Elyria, OH 44035  
 Phone: (440) 366-6966  
 Fax: (440)-366-6802  
 e-mail: engsupport@multilinkbuilt4u.com