



3610-GelSeal

Product Description

Multilink's 3610-GS Gel-Seals are designed to easily weather-proof splice locations for RG-6, RG-6QS and RG-59 cables. The petroleum based gel fully encapsulates the splice point preventing water ingress and signal degradation.

General Specifications

Dimensions:	4" L x 3.5" W x .58" D
Weight:	1.7 lbs.
Max Cable Dia:	≈ .32"
Cable Type:	RG6/59 Drop Cable Twisted Pair
Material:	Plastic with Silicone*

Ordering Information

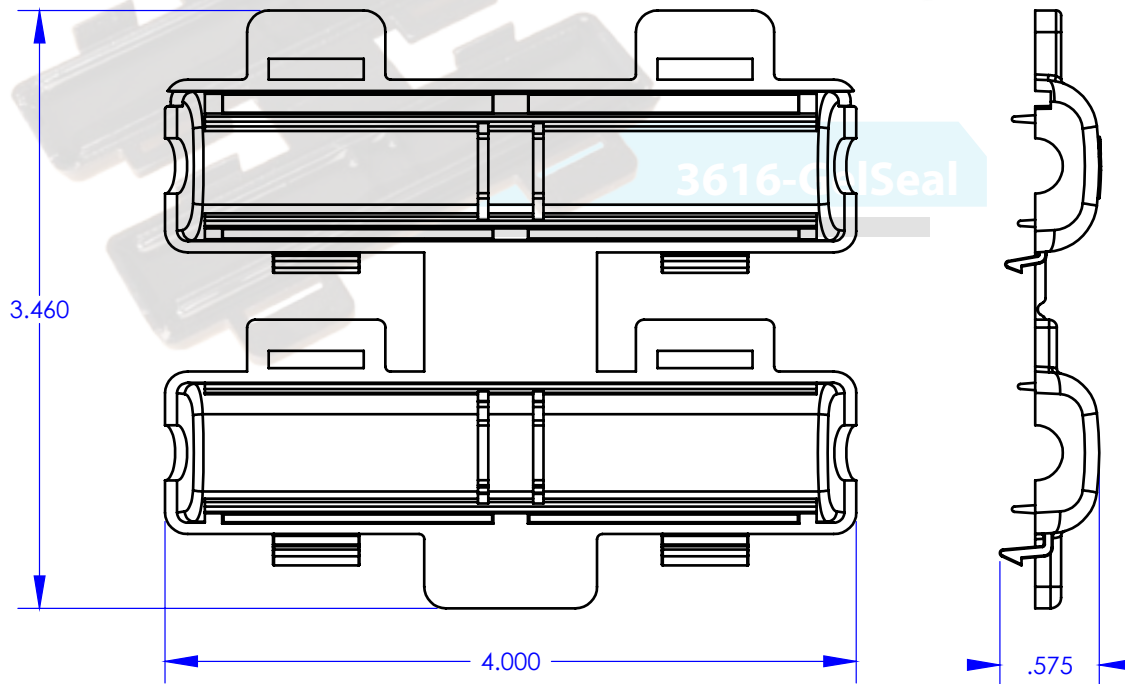
<u>Stock ID</u>	<u>Description</u>
34120K-BLK	3610-GS Black
34120K-OR	3610-GS Orange

*Note: Technical data for gel composite available upon request.

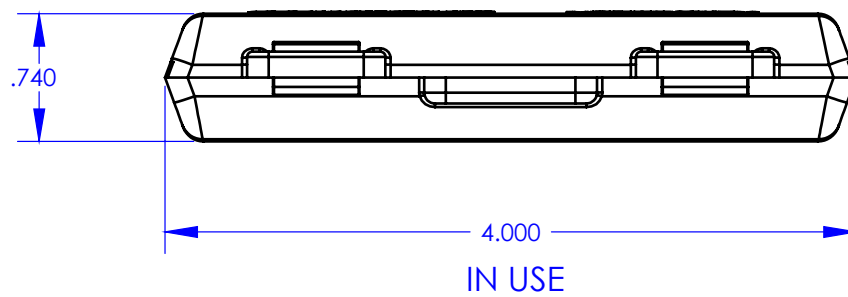
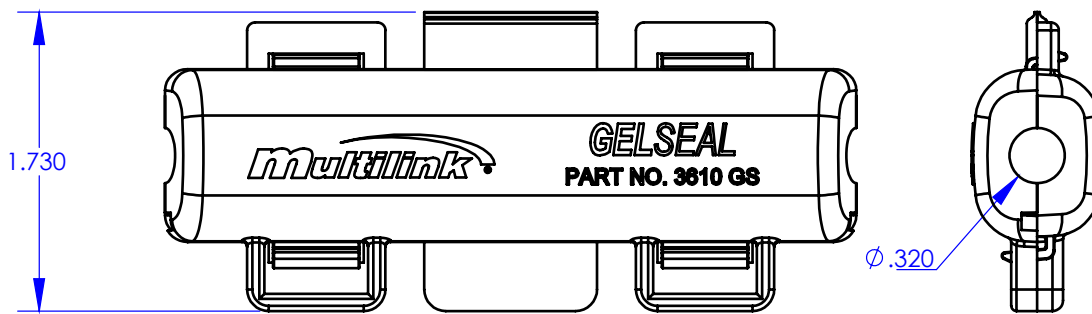
www.GoMultilink.com

580 Ternes Ave. • Elyria, OH 44035 • 440.366.6966 • Fax: 440.366.6802 • engsupport@multilinkone.com
Copyright 2010 Multilink Inc. • All rights reserved • Specifications subject to change without notice

SPECIFICATIONS



AS MOLDED



www.GoMultilink.com

580 Ternes Ave. • Elyria, OH 44035 • 440.366.6966 • Fax: 440.366.6802 • engsupport@multilinkone.com
Copyright 2010 Multilink Inc. • All rights reserved • Specifications subject to change without notice

Installation

