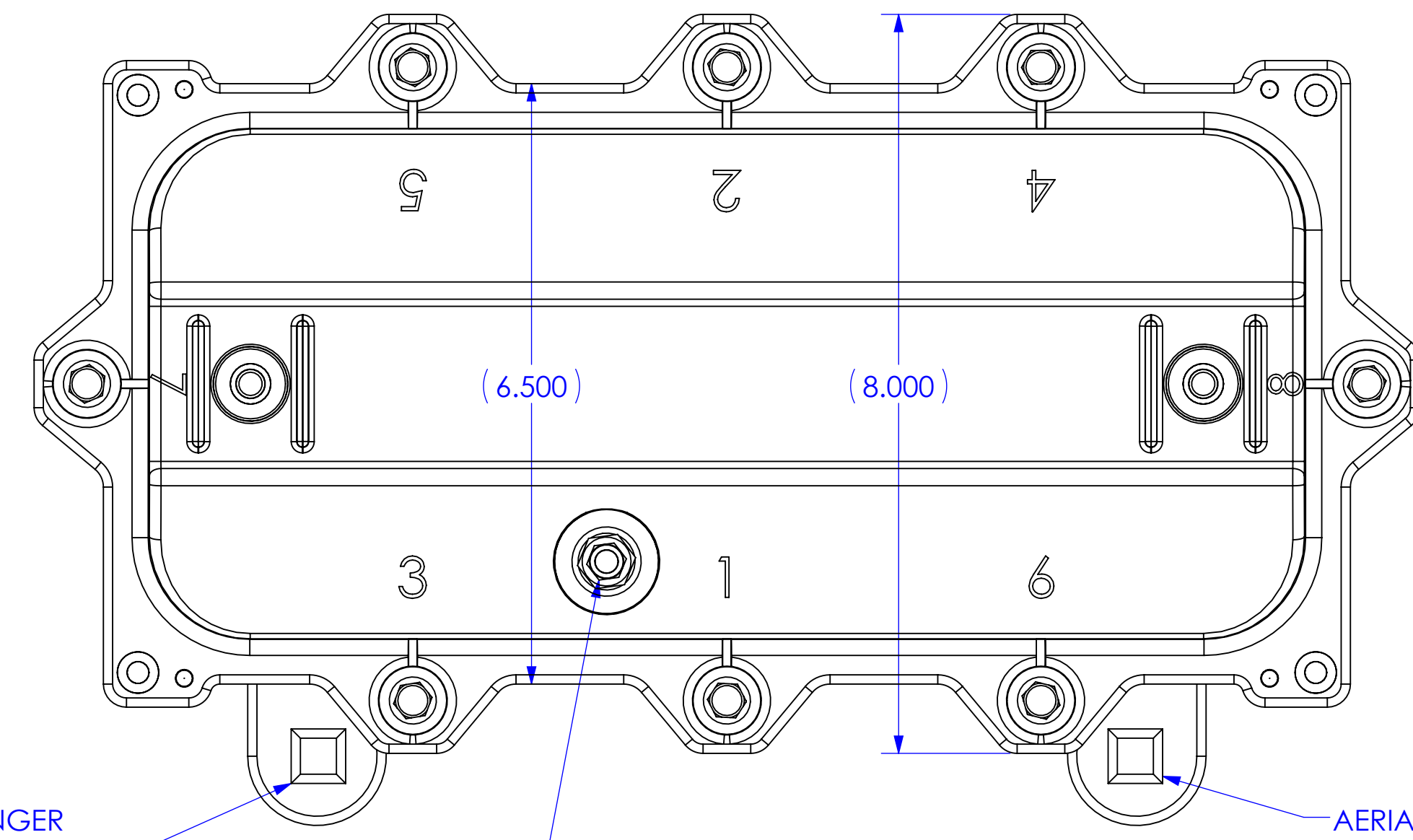
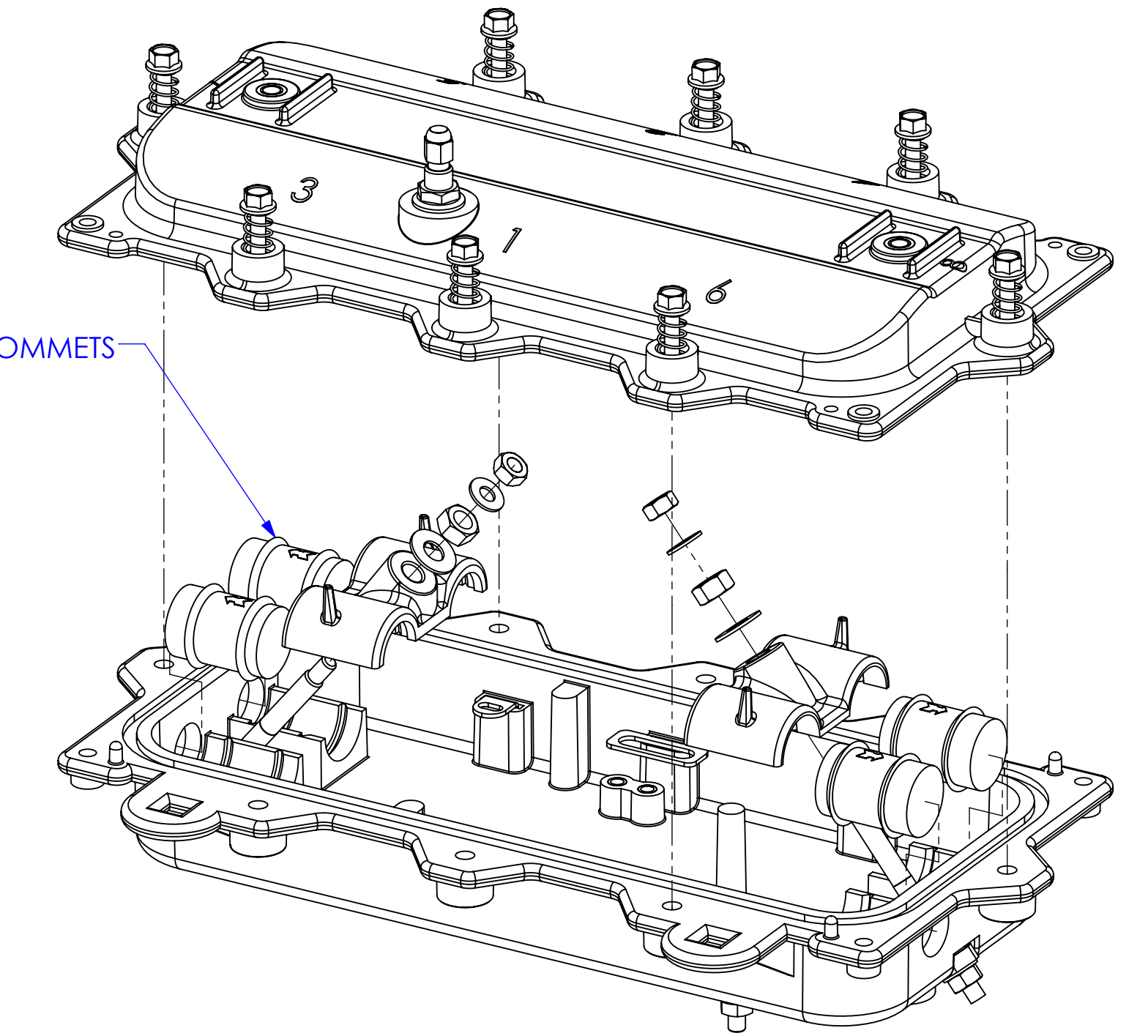
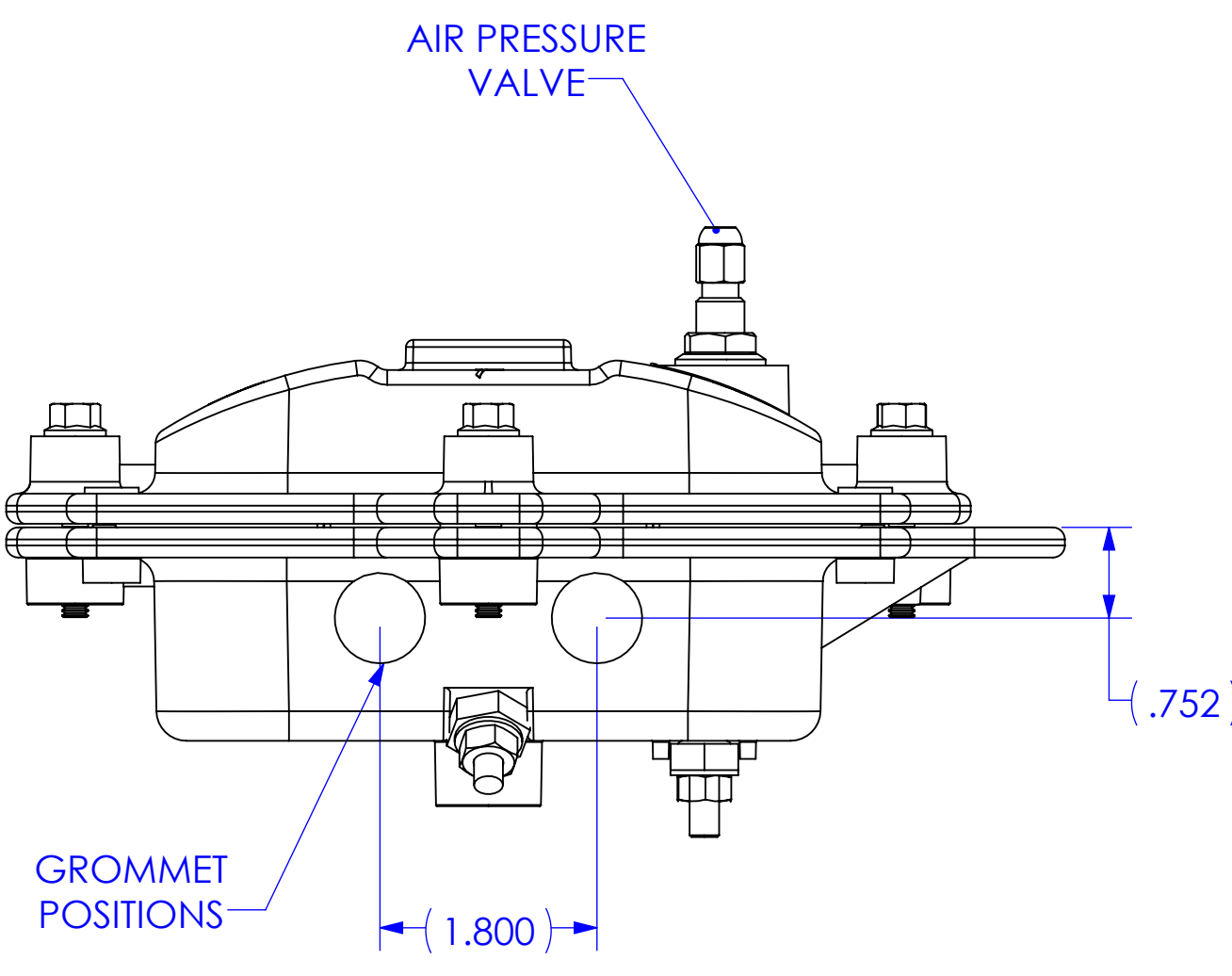
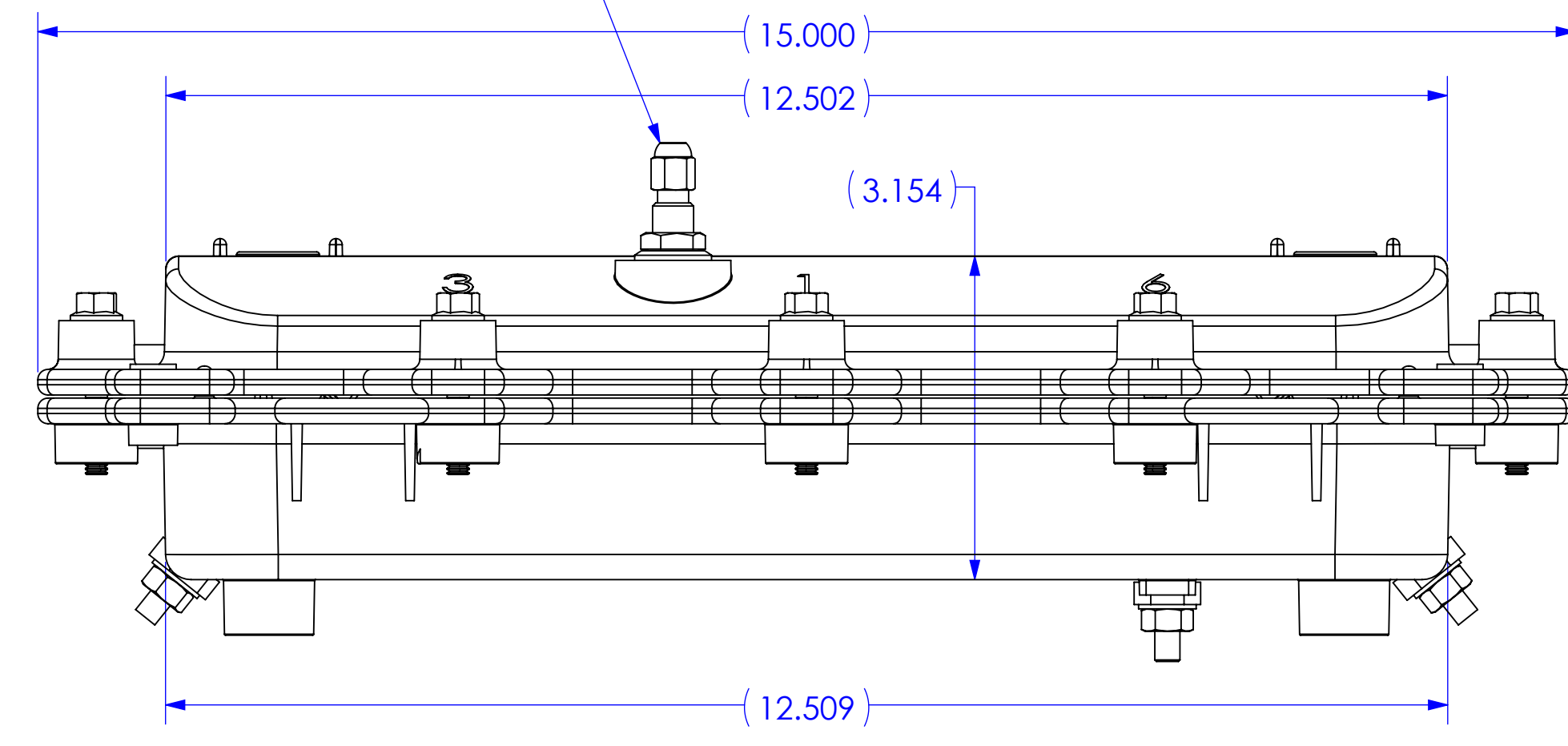


REV.	ECH #	DESCRIPTION OF CHANGE	DATE	BY	MFG ENG
01	N/A	INITIAL RELEASE	02/06/15	CN	



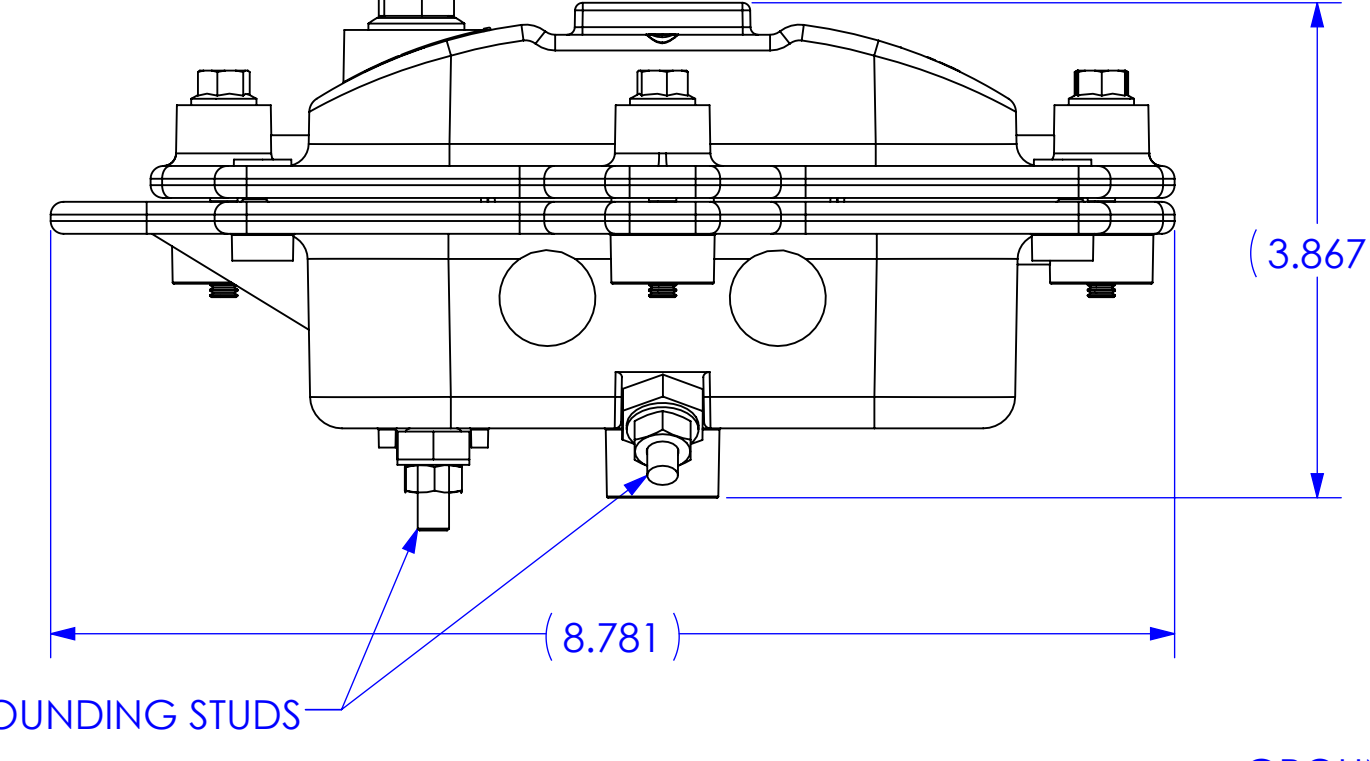
AERIAL HANGER MOUNTING POSITIONS

AIR PRESSURE VALVE

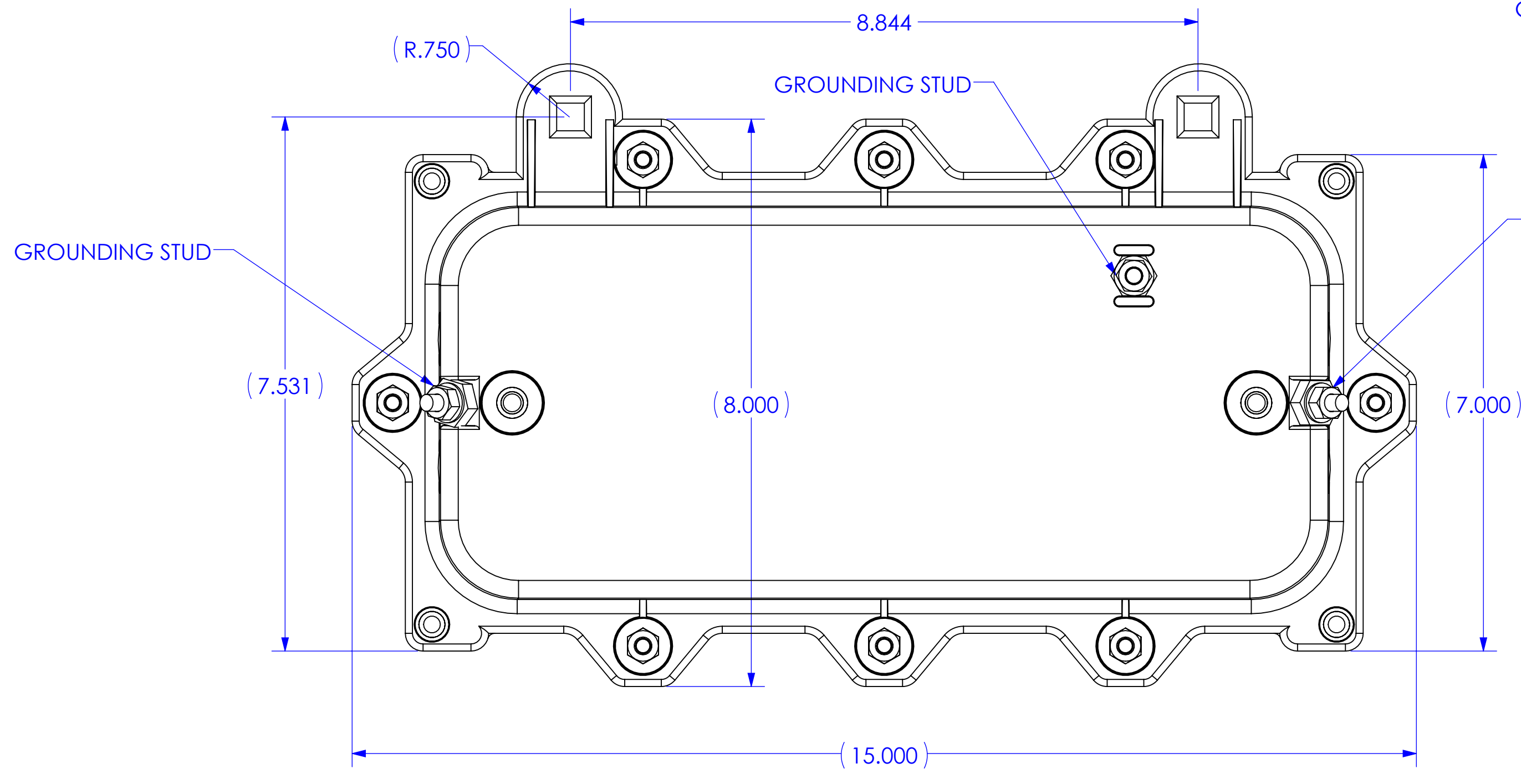


GROMMETS

AIR PRESSURE VALVE



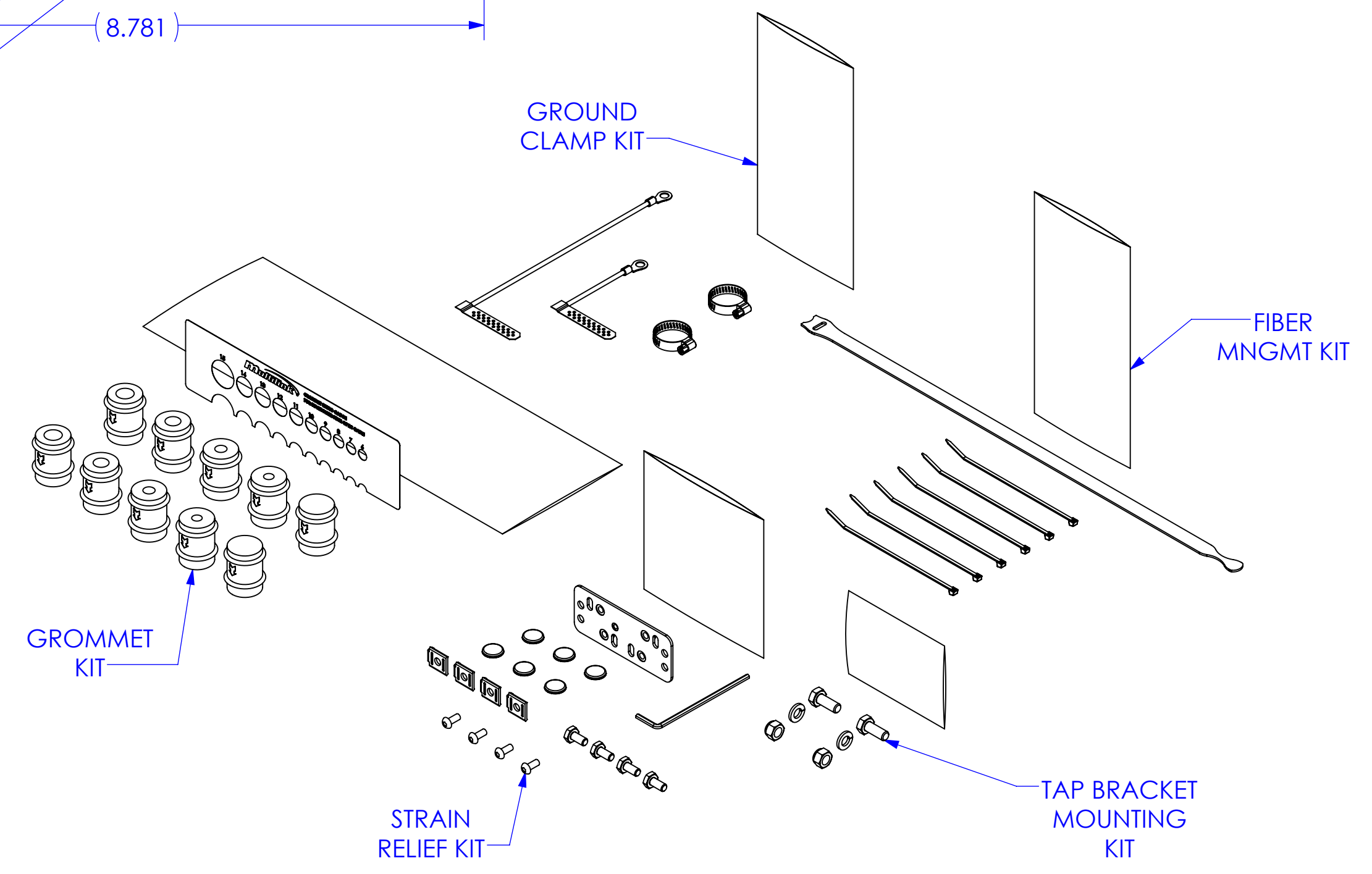
GROUNDING STUDS



GROUNDING STUD

GROUNDING STUD

GROUNDING STUD



GROMMET KIT

STRAIN RELIEF KIT

GROUND CLAMP KIT

FIBER MNGMT KIT

UNLESS OTHERWISE SPECIFIED DIMENSIONS ARE IN INCHES		TOLERANCES ARE:	
FRACTIONS:	DECIMALS:	ANGLES:	
±1/32	.005 - .010	±1°	
ALL FLATS TO BE ±.005		NO SHARP EDGES OR BURRS ALLOWED	
MATERIAL:	SEE B.O.M.	CHECKED:	CN
DATE:	N/A	DATE:	02/06/15
DO NOT SCALE DRAWING	QUALITY ENG:	DATE:	

Multilink

1120-F STD MINIBUTT KIT SPLICE CASE 24 CT

SCALE: 1:1.5 (CAD FILE: 70203K-REF) SHEET: 1 OF 1