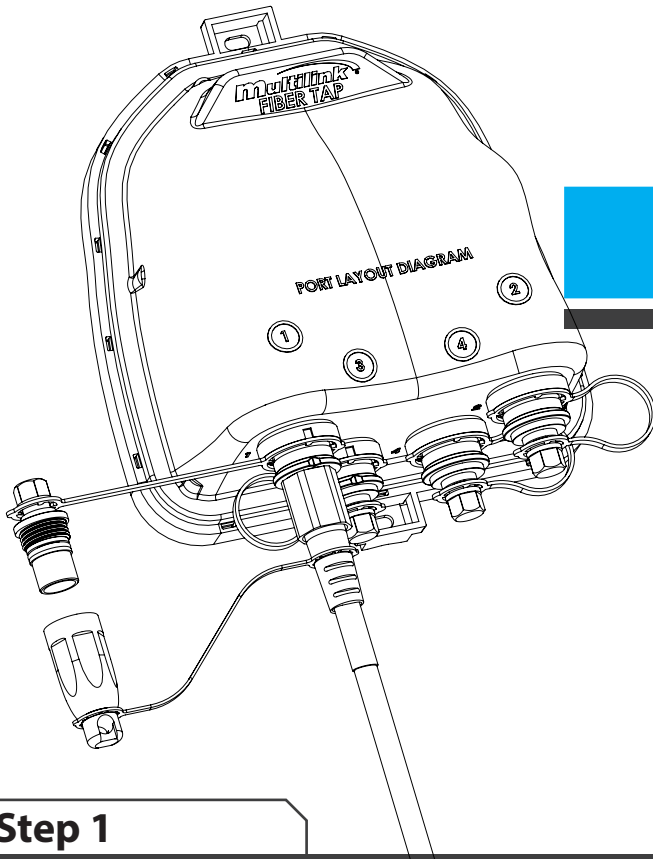
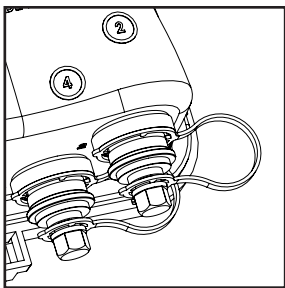
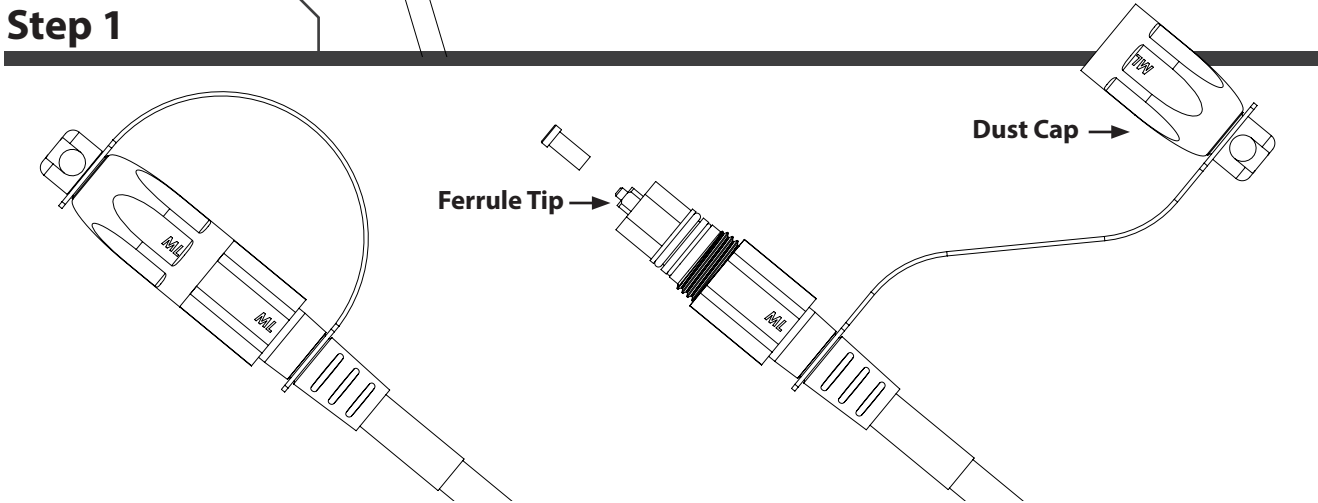


**Surelight<sup>®</sup> H IP Factory  
Installable Connector**

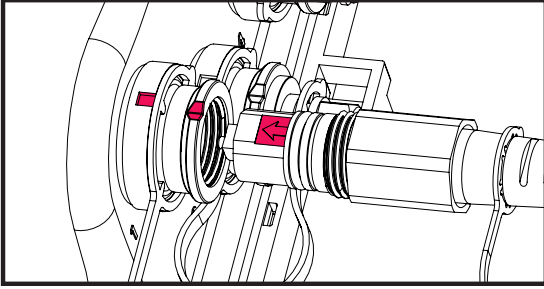


**Step 1**



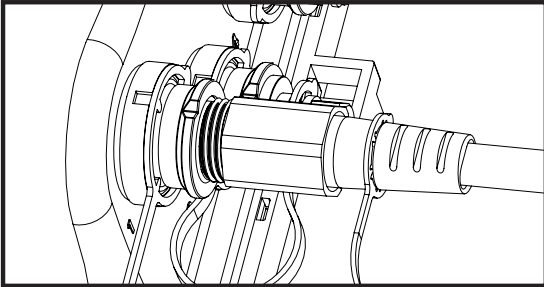
- 1.1 Loosen dust cap from fiber access bulkhead using a 216 tool or can wrench.
- 1.2 On the Surelight Connector, unscrew dust cap from connector coupler.
- 1.3 Inspect the red connector O-rings to ensure they are not dry. If dry, apply the Multilink supplied lubricant to each O-ring. **Note:** The connector O-rings are pre-lubricated by the factory during production and should not require further lubrication during initial installation.
- 1.4 Inspect O-ring on fiber access bulkhead dust cap for dryness. If dry, apply the Multilink supplied lubricant to O-ring. **Note:** The fiber access bulkhead O-rings are pre-lubricated by the factory during production and should not require further lubrication during initial installation.
- 1.5 Remove dust cap from Ferrule tip and clean optical port adaptor and drop cable connector.

## Step 2



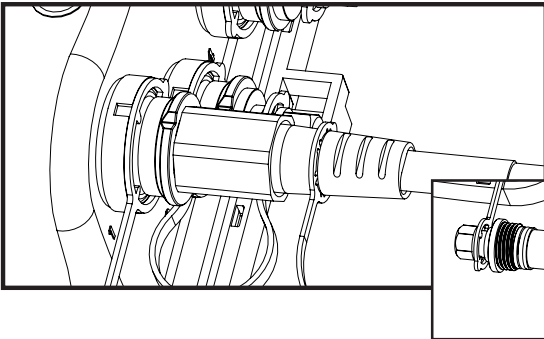
- 2.1 Align **arrow** on top of Surelight Connector with the **notch** on fiber access bulkhead.

## Step 3



- 3.1 Insert H IP connector into fiber access bulkhead. If the H IP connector does not fully insert into the bulkhead, rotate connector slightly to either side until connector slides into place. **DO NOT USE EXCESSIVE FORCE TO SEAT CONNECTOR OR DAMAGE TO THE PRODUCTS MAY OCCUR.**

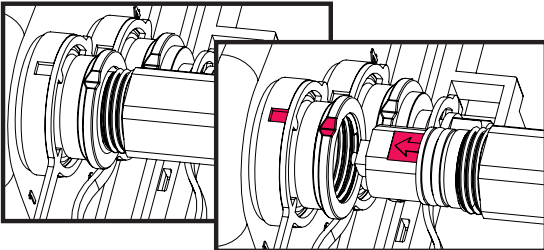
## Step 4



- 4.1 Thread connector coupler into the fiber access bulkhead and tighten (**without** use of a 216 tool or can wrench) until coupler is secured into the bulkhead.

- 4.2 After installation, thread fiber access bulkhead dust cap into H IP connector dust cap. This prevents dust and debris from getting onto O-rings.

## Removal



When removing the H IP connector out of the fiber access bulkhead, unscrew the connector coupler, pull the connector **“straight out”** of the fiber access bulkhead. **If pulled out on an angle, damage to the bulkhead or connector may occur.** Once removed, replace the dust cap into the fiber access bulkhead and seat to ensure proper sealing.



[facebook.com/GoMultilink1](https://facebook.com/GoMultilink1)



[twitter.com/GoMultilink](https://twitter.com/GoMultilink)



[youtube.com/GoMultilink](https://youtube.com/GoMultilink)



## Contact Us |

### North America

Tel: +1 440 366 6966

Fax: +1 440 366 6802

Email: [engsupport@gomultilink.com](mailto:engsupport@gomultilink.com)

### Europe, Middle East & Africa

Tel: +1 440 366 6966

Fax: +1 440 366 6802

Email: [engsupport@gomultilink.com](mailto:engsupport@gomultilink.com)

### Latin & South America

Tel: +1 954 499 9203

Fax: +1 440 366 6802

Email: [lasupport@gomultilink.com](mailto:lasupport@gomultilink.com)