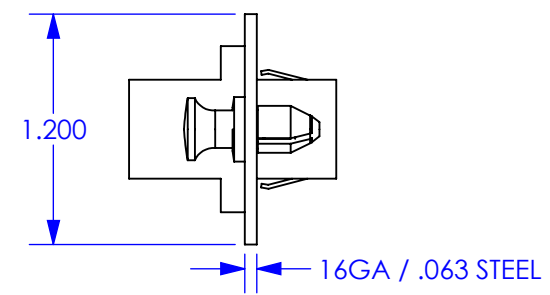
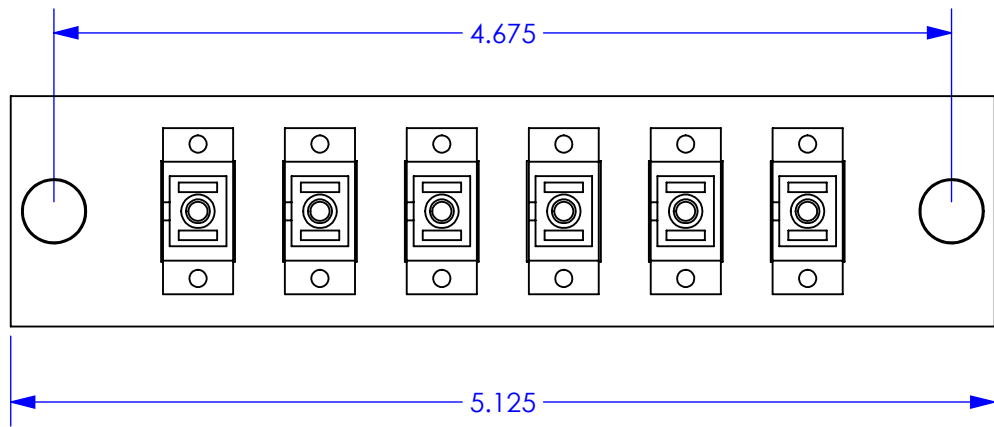
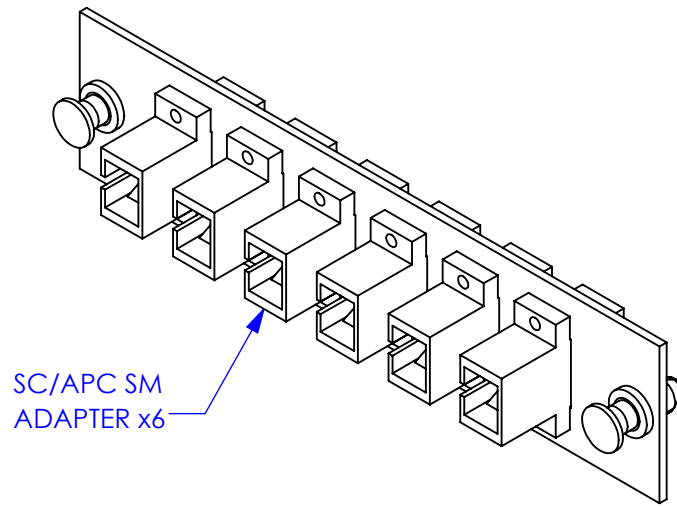
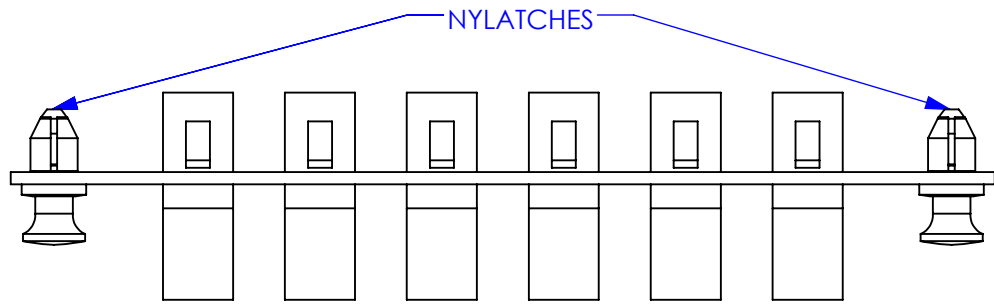


REV	ECN#	DESCRIPTION OF CHANGE	DATE	BY	MFG ENG
01	N/A	INITIAL RELEASE	01/11/06	SK	



UNLESS OTHERWISE SPECIFIED
DIMENSIONS ARE IN INCHES
TOLERANCES ARE:
FRACTIONS DECIMALS ANGLES
±1/32 .XX=±.03 ±1°
.XXX=±.010

ALL FLATS TO BE ±.005
**NO SHARP EDGES OR
BURRS ALLOWED**

MATERIAL:
SEE B.O.M.

FINISH:
BLACK

DO NOT SCALE DRAWING

THIS DOCUMENT AND THE INFORMATION
CONTAINED THEREIN ARE CONFIDENTIAL
& PROPRIETARY TO MULTILINK AND MAY NOT
BE COPIED OR DISCLOSED TO OTHERS
WITHOUT A WRITTEN CONSENT FROM
MULTILINK. THE INFORMATION IS TO BE
PROMPTLY RETURNED TO MULTILINK UPON
REQUEST.

DRAWN BY: SK DATE: 01/11/06

CHECKED: DATE:

MFG ENG: DATE:

QUALITY ENG: DATE:



MSCA-06-SM-C-OW
LOADED SC/APC SM
CERAMIC 6 PACK PANEL

SIZE A	DWG. NO. 99222KREF	REV. 01
SCALE: 1:1	CAD FILE: 99222KREF	SHEET 1 OF 1