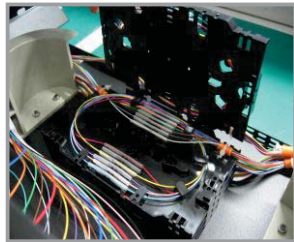
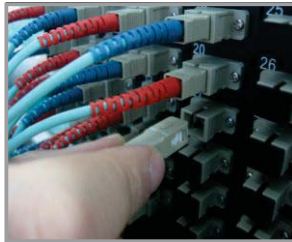
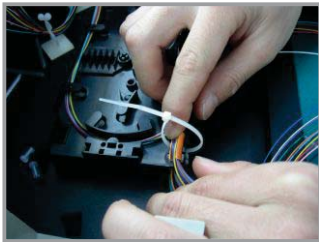




WC-4U12P

Features

- Available for IEC19"/23" & ETSI standard.
- Max capacity is 288 "Fibers" by using 12 adapter panels of 6 ports LC Quad;
Max capacity is 144 "Fibers" by using 12 adapter panels of 6 ports SC Duplex;
Max capacity is 144 "Fibers" by using 12 adapter panels of 12 ports ST/FC.
- RAL7035 or RAL9005, and RoHS compliant.
- One unit per package which is in 21.58*17.33*10.04 inches.
- Weight is 22.6 lbs after packaged.

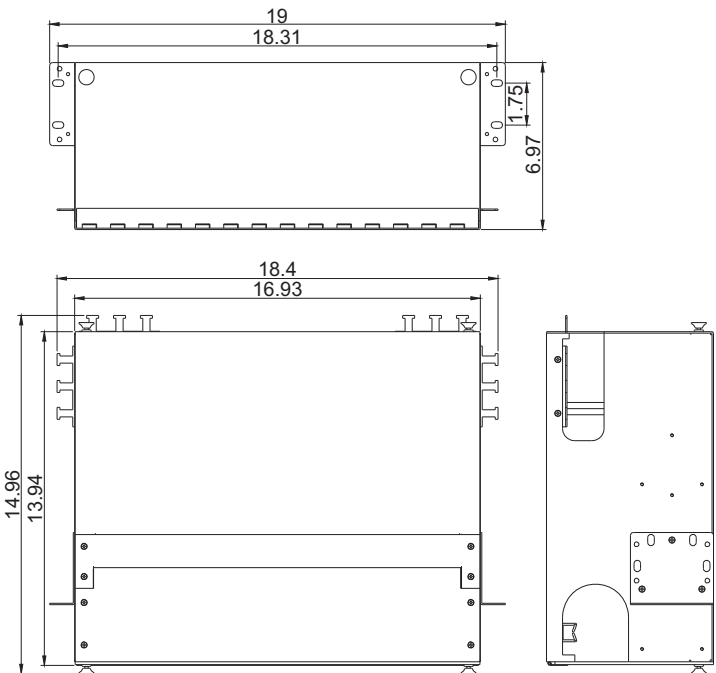
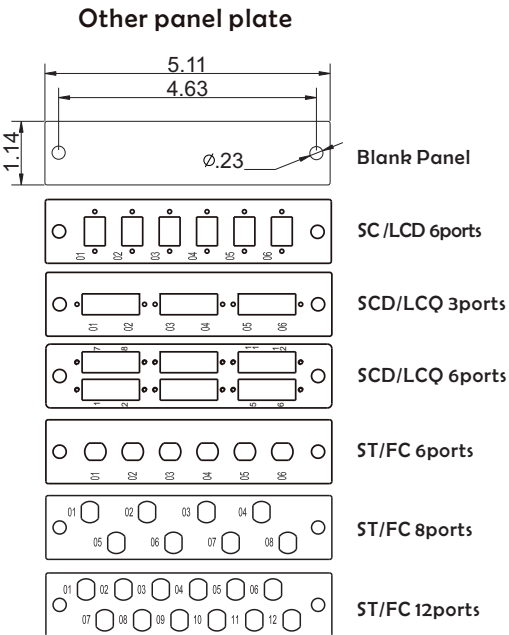


Application

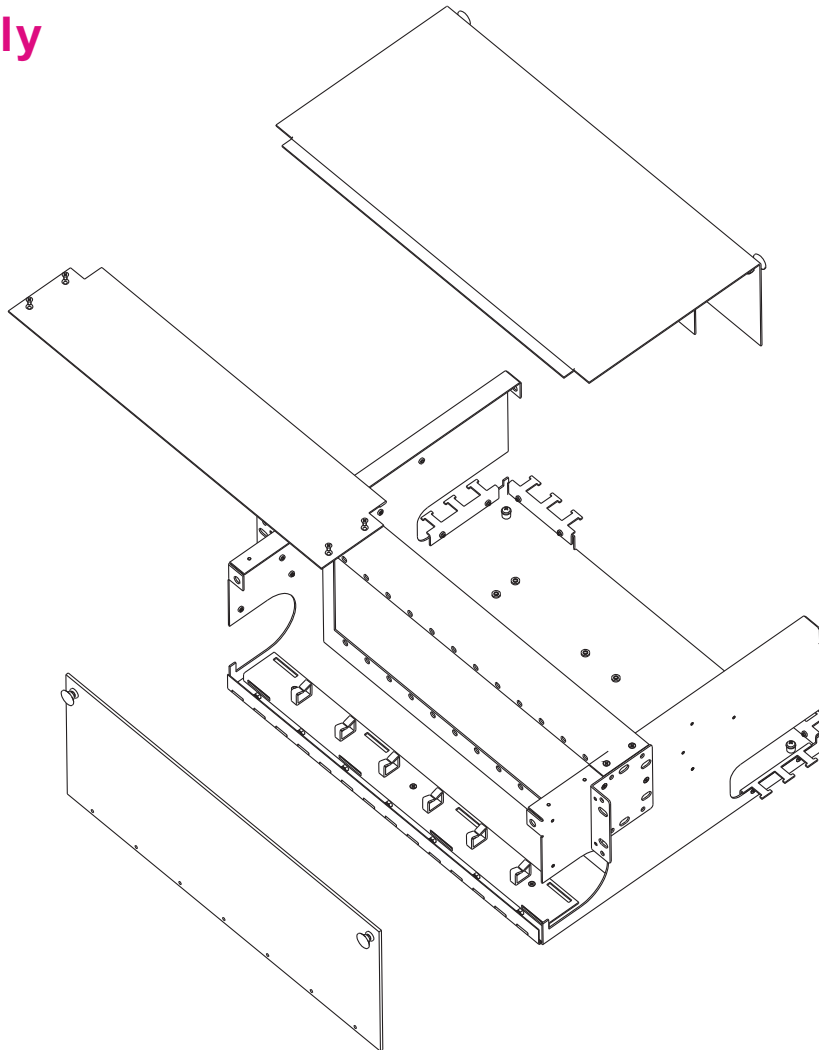
Dimension For Body and Panel

Machine performance

• Dimension



Assembly



Included Accessories



Mounting screws M6



Cable spool



Cross recess head screw
M4×8mm (for tray)



Radiation sticker



2" cable managers with adhesive bottom

PORT IDENTIFICATION			
#	#	#	#
1	1	1	1
2	2	2	2
3	3	3	3
4	4	4	4
5	5	5	5
6	6	6	6
7	7	7	7
8	8	8	8
9	9	9	9
10	10	10	10
11	11	11	11
12	12	12	12

Port identification labels



4" plastic tie wraps



M4 Nut/ Plain washer/Spring washer(for cable spool)

STANDARD CONFIGURATION

WC-4U12P

Description	Number
Mounting screws M6	4
4" plastic tie wraps	4
Radiation sticker	1
2" cable managers with adhesive bottom	4
Port identification labels	3
Cross recess head screw M4×8mm (for tray)	2
Cable spool	4
M4 Nut/ Plain washer/Spring washer(for cable spool)	4