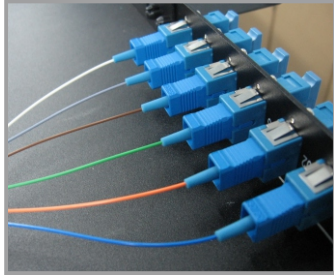
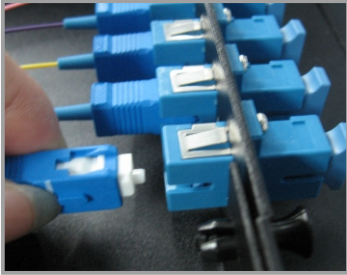
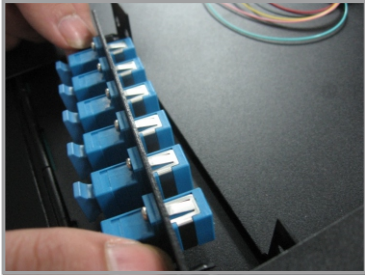




WC-WM01P

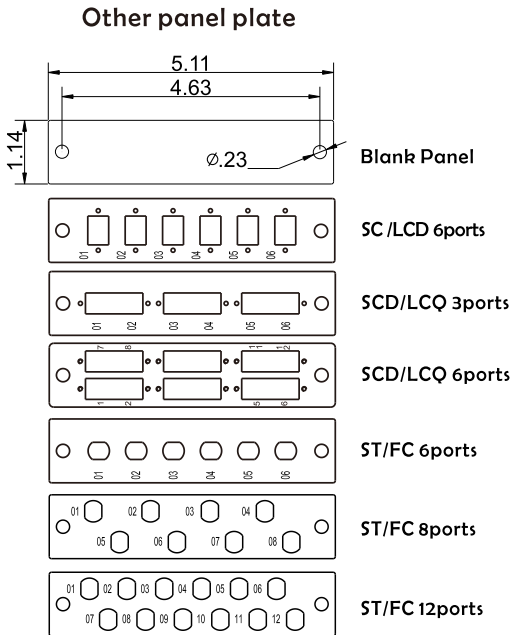
Features

- Max capacity is 24 "Fibers" by using 1 adapter panels of 6 ports LC Quad;
- Max capacity is 12 "Fibers" by using 1 adapter panels of 6 ports SC Duplex;
- Max capacity is 12 "Fibers" by using 1 adapter panels of 12 ports ST/FC.
- RAL7035 or RAL9005, and RoHS compliant.
- One unit per package which is in 9.65*9.06*4.33 inches.
- Weight is 2.5 lbs after packaged.



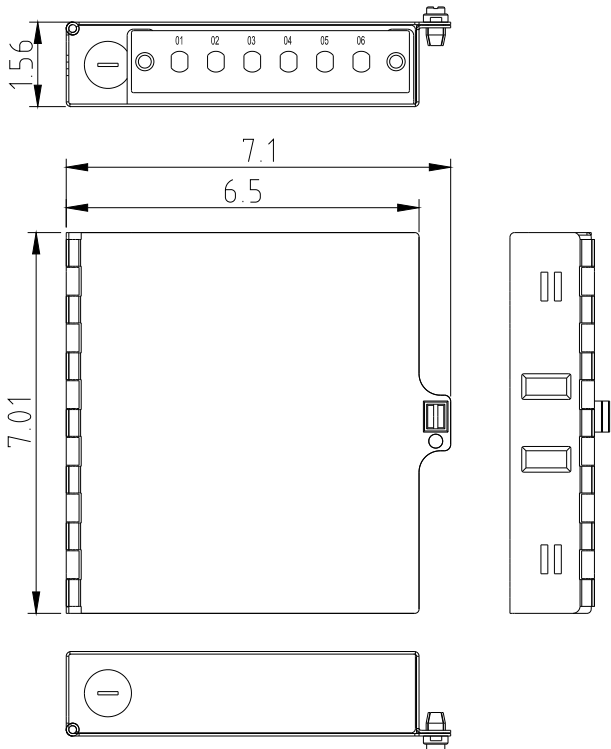
Application

Dimension For Body and Panel

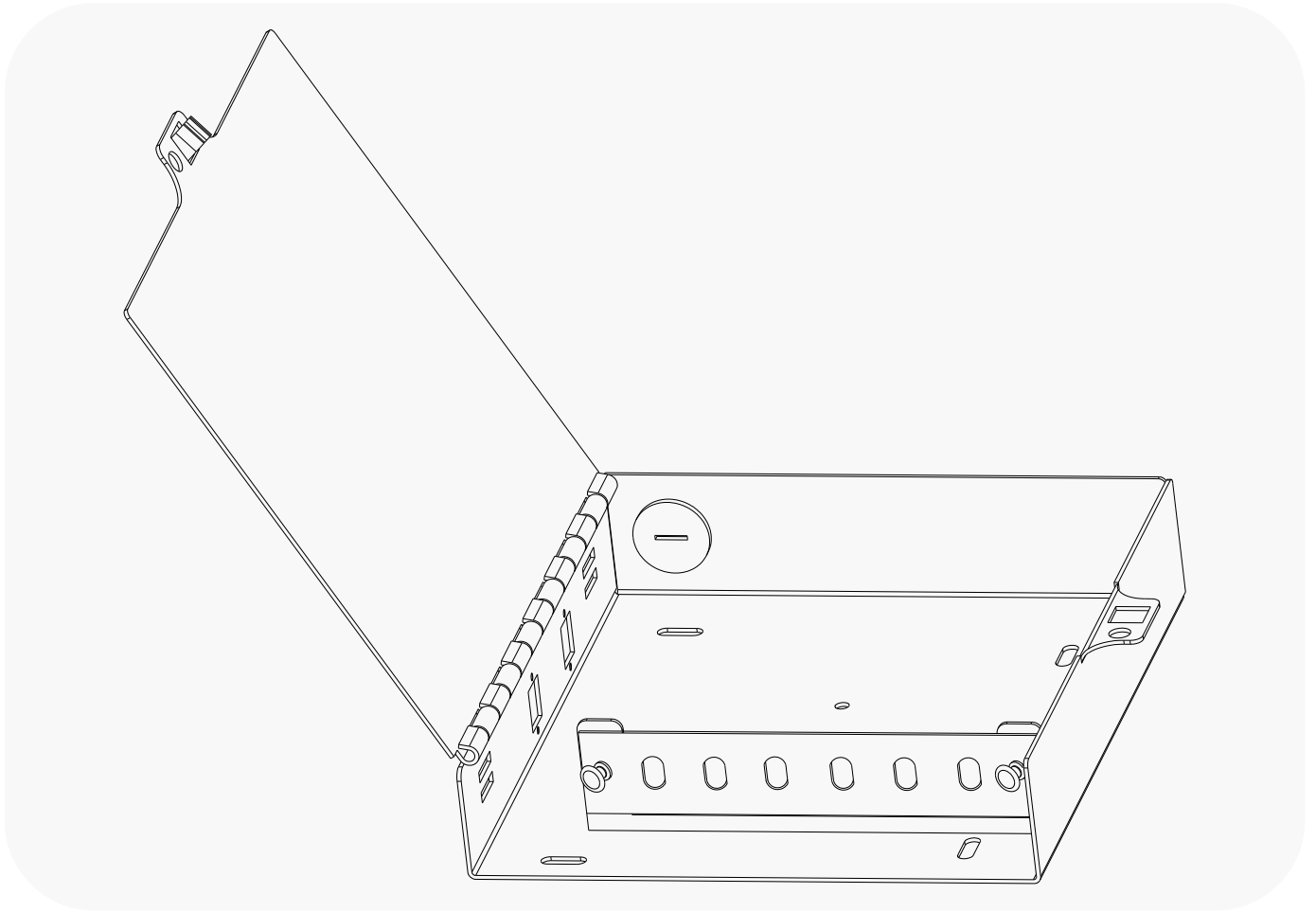


Machine performance

- Dimension



Assembly



Included Accessories



Radiation sticker

4" plastic tie wraps



PORT IDENTIFICATION					
1	2	3	4	5	6
7	8	9	10	11	12

Port identification labels

2" cable managers with adhesive bottom

STANDARD CONFIGURATION

WC-WM01P	
Description	Number
4" plastic tie wraps	4
Radiation sticker	1
2" cable managers with adhesive bottom	4
Port identification labels	1