



BUDI™ Fiber Optic Wall mount Enclosure, 2 SC/UPC adapters, single element FIST splice trays for SMOUV splices

- Compact, wall mountable fiber enclosures for indoor and outdoor use
- Specifically designed for fast FTTH deployment and easy customer connection
- Available with splicing (FIST) and/or patching and/or splitter combinations
- Multiple and modular wrap around cable port sealing options

Product Classification

| | |
|------------------------------|----------------|
| Regional Availability | EMEA |
| Portfolio | CommScope® |
| Product Type | Fiber wall box |
| Product Brand | BUDI™ |
| Product Series | BUDI-2S |

General Specifications

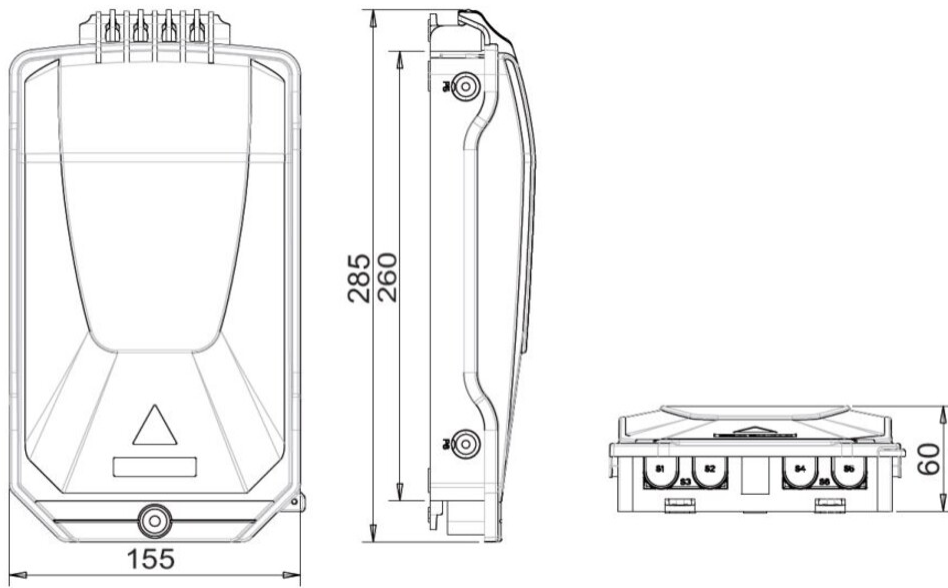
| | |
|-----------------------------------|---------------------|
| Functionality | Patching Splicing |
| Access | Front |
| Enclosure Color | Gray |
| Front Cover Type | Snap-on cover |
| Interface | SC/UPC |
| Mounting | Wall |
| Port, quantity | 2 |
| Splice Tray Construction | SE (Single element) |
| Splicing Capacity, maximum | 2 |

Dimensions

| | |
|---------------------------|--------------------|
| Height | 260 mm 10.236 in |
| Height, with cover | 285 mm 11.22 in |
| Width | 155 mm 6.102 in |
| Depth | 60 mm 2.362 in |

Dimension Drawing

CW8864-000 | BUDI-2S-T-02S1ES



Material Specifications

Enclosure Material Type LSZH thermoplastic

Optical Specifications

Fiber Mode Singlemode

Environmental Specifications

Environmental Space Indoor/Outdoor

Qualification Standards IEC 60529, IP54 | IEC 61753-1, category G

Packaging and Weights

Packaging quantity 1

Packaging Type Box | Carton

Regulatory Compliance/Certifications

| Agency | Classification |
|------------|-----------------------------------|
| CHINA-ROHS | Above maximum concentration value |
| ROHS | Compliant/Exempted |
| UK-ROHS | Compliant/Exempted |



