

NGF-CB1CL284124



Next Generation Frame (NGF) Fiber Termination/Splice Block, pre-terminated, 96 SC/UPC, singlemode, left oriented, putty white

OBSOLETE

This product was discontinued on: November 13, 2019

Product Classification

Regional Availability	EMEA Latin America North America
Product Type	Fiber patch/splice block
Product Series	NGF

General Specifications

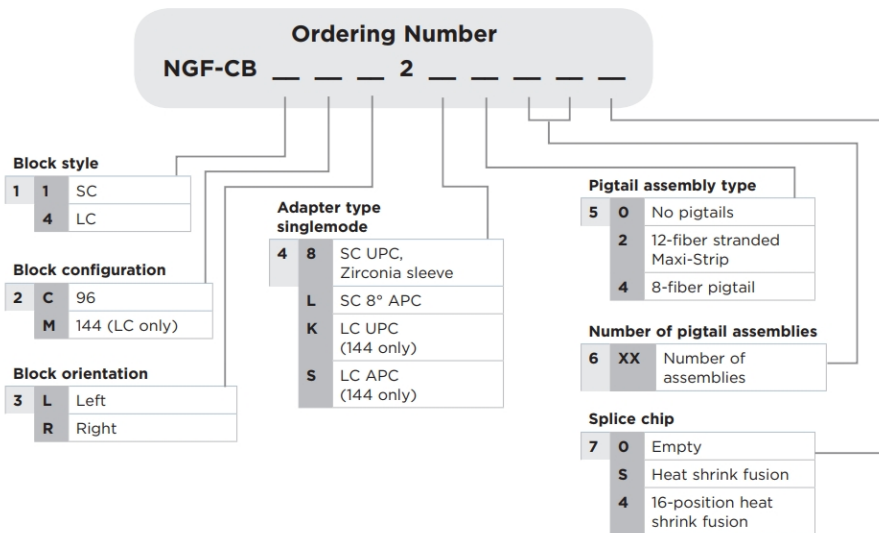
Functionality	Patching Splicing
Application	Used in NGF-style frames only
Body Style	Left orientation
Cable Exit Location	Rear, bottom side
Color	Putty white
Color, front	Putty white
Door Type, front	Compression latch Hinged
Growth Configuration	Fully loaded
Interface, front	SC/UPC
Rack Type	NGF
Shelf Movement	Fixed
Total Ports, quantity	96

Dimensions

Height	558.8 mm 22 in
Width	166.878 mm 6.57 in
Depth	495.3 mm 19.5 in

NGF-CB1CL284124

Ordering Tree



Material Specifications

Finish	Powder coated
Material Type	Steel

Optical Specifications

Fiber Mode	Singlemode
-------------------	------------

Environmental Specifications

Operating Temperature	-5 °C to +50 °C (+23 °F to +122 °F)
Storage Temperature	-40 °C to +70 °C (-40 °F to +158 °F)
Relative Humidity	Up to 80%, non-condensing
Qualification Standards	Telcordia GR-449-CORE

Packaging and Weights

Included	Mounting hardware
Packaging quantity	1

Regulatory Compliance/Certifications

Agency	Classification
CHINA-ROHS	Below maximum concentration value

NGF-CB1CL284124

REACH-SVHC

Compliant as per SVHC revision on www.commscope.com/ProductCompliance

ROHS

Compliant

UK-ROHS

Compliant

