



BUDI™ Fiber Optic Wall mount Enclosure, Pre-terminated version with 1x32 FPS splitter module and 300ft I/O OFNR cable stub

- Compact, wall mountable fiber enclosures for indoor and outdoor use
- Specifically designed for fast FTTH deployment and easy customer connection
- Available with splicing (FIST) and/or patching and/or splitter combinations
- Multiple and modular wrap around cable port sealing options

Product Classification

Regional Availability	North America
Portfolio	CommScope®
Product Type	Fiber wall box
Product Brand	BUDI™
Product Series	BUDI-M

General Specifications

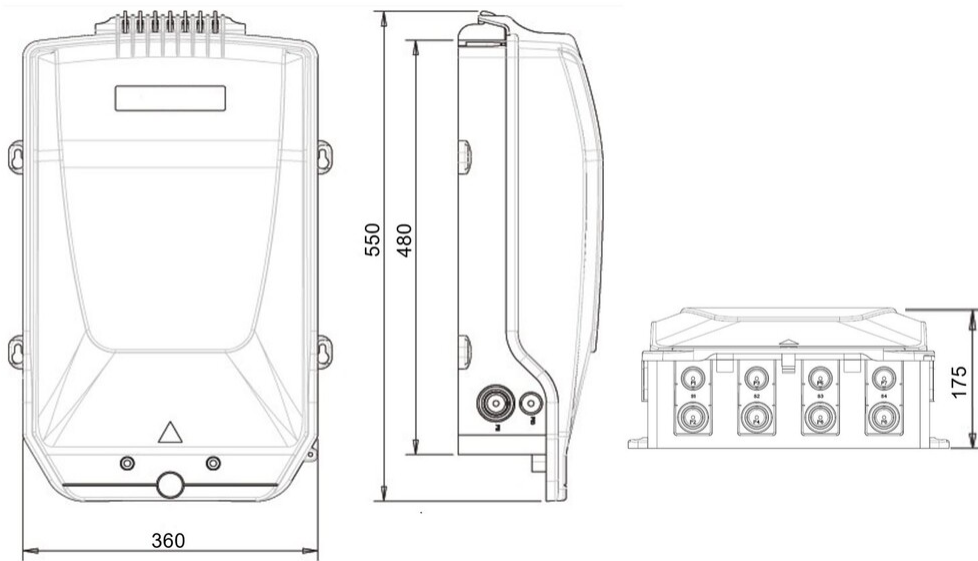
Functionality	Patching Splicing Splitting
Access	Front
Application	Splitting
Cable Entry Location	Bottom
Cable Type	Indoor - Ribbon
Distribution Type	1 x 32 splitter
Enclosure Color	Gray
Front Cover Type	Snap-on cover
Interface	SC/APC
Mounting	Wall
Port, quantity	90
Splicing Capacity, maximum	24
Splicing Type, Supported	Mass fusion
Split Ratio	Symmetrical
Splitter, quantity	1

Dimensions

760245059 | BUDI-M-TS2FPS32G-0300

Height	480 mm 18.898 in
Height, with cover	550 mm 21.654 in
Width	360 mm 14.173 in
Depth	175 mm 6.89 in
Cable Length	91.44 m 300 ft

Dimension Drawing



Material Specifications

Enclosure Material Type	LSZH thermoplastic
--------------------------------	--------------------

Optical Specifications

Fiber Mode	Singlemode
-------------------	------------

Environmental Specifications

Environmental Space	Indoor/Outdoor
Qualification Standards	IEC 60529, IP54 IEC 61753-1, category G Telcordia GR-2898-CORE

Packaging and Weights

Included	Cable seal Splice tray
Packaging quantity	1

Packaging Type

Box | Carton

Regulatory Compliance/Certifications

Agency

Classification

CHINA-ROHS

Above maximum concentration value

ROHS

Compliant/Exempted

UK-ROHS

Compliant/Exempted

