

# FL1-G677NNN2-1000N



FL1000 Fiber Wall Box, 2-door, singlemode SC/UPC, 12-ports, with softwall-bundled pigtails and splice tray, 1 cable clamp

- Ideal for small to medium fiber counts within communication rooms or closets at customer sites
- Provides demarcation access for the telecom carrier and the end-user by way of separate compartments
- Guarantees mechanical protection and fiber management for indoor and outdoor cable
- Fully customizable for patch-patch, splice-patch or for the storage of un-terminated (dark) fibers

## Product Classification

|                              |                |
|------------------------------|----------------|
| <b>Regional Availability</b> | North America  |
| <b>Product Type</b>          | Fiber wall box |
| <b>Product Series</b>        | FL1000         |

## General Specifications

|   |   |
|---|---|
| <b>Application</b>                      | Patching   Splicing                               |
| <b>Adapter Packs Included, quantity</b> | 2   |
| <b>Adapters, quantity</b>               | 12  |
| <b>Cable Clamps, quantity</b>           | 1   |
| <b>Cable Entry Location</b>             | Bottom left   Bottom right   Top left   Top right |
| <b>Cable Type</b>                       | Pigtails - Stranded                               |
| <b>Color</b>                            | Putty white                                       |
| <b>Door, quantity</b>                   | 2   |
| <b>Front Door Type</b>                  | Single hinged                                     |
| <b>Growth Configuration</b>             | Fully loaded                                      |
| <b>Interface</b>                        | SC/UPC  |
| <b>Mounting</b>                         | Wall  |
| <b>Splicing Type</b>                    | Heat shrink, mass fusion                          |
| <b>Total Fibers, quantity</b>           | 12  |
| <b>Total Ports, quantity</b>            | 12  |

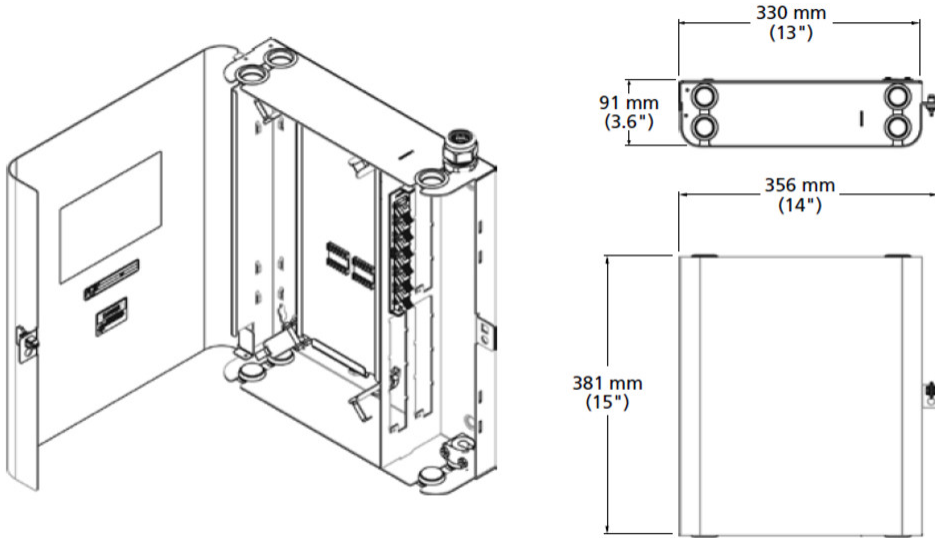
## Dimensions

|               |                    |
|---------------|--------------------|
| <b>Height</b> | 433 mm   17.047 in |
| <b>Width</b>  | 511 mm   20.118 in |

# FL1-G677NNN2-1000N

**Depth** 156.97 mm | 6.18 in

## Outline Drawing



## Material Specifications

**Finish** Powder coated  
**Material Type** Steel

## Optical Specifications

**Fiber Mode** Singlemode

## Environmental Specifications

**Environmental Space** Indoor  
**Qualification Standards** NEMA type 12

## Packaging and Weights

**Packaging quantity** 1  
**Packaging Type** Bag | Carton

## Regulatory Compliance/Certifications

| Agency     | Classification                    |
|------------|-----------------------------------|
| CHINA-ROHS | Below maximum concentration value |

# FL1-G677NNN2-1000N

---

|            |  |
|------------|--|
| REACH-SVHC | Compliant as per SVHC revision on <a href="http://www.commscope.com/ProductCompliance">www.commscope.com/ProductCompliance</a> |
| ROHS       | Compliant  |
| UK-ROHS    | Compliant  |

