

FL1-G6JNNNN2-1111N



FL1000 Fiber Wall Box, 2-door, singlemode SC/APC, 12-ports, with softwall-bundled pigtails and splice tray, 1 cable clamp, 1 compression fitting, 1 grounding kit, 1 strength member tie-off

- Ideal for small to medium fiber counts within communication rooms or closets at customer sites
- Provides demarcation access for the telecom carrier and the end-user by way of separate compartments
- Guarantees mechanical protection and fiber management for indoor and outdoor cable
- Fully customizable for patch-patch, splice-patch or for the storage of un-terminated (dark) fibers

Product Classification

Regional Availability	North America
Product Type	Fiber wall box
Product Series	FL1000

General Specifications

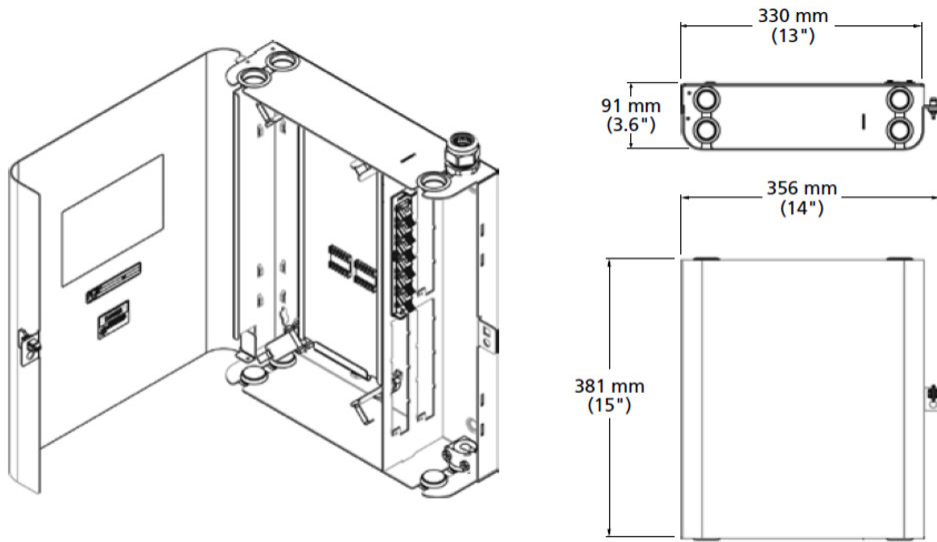
Functionality	Patching Splicing
Application	Patching Splicing
Adapter Packs Included, quantity	1
Adapters, quantity	6
Cable Clamps, quantity	1
Cable Compression Fittings, quantity	1
Cable Entry Location	Bottom left Bottom right Top left Top right
Cable Type	Pigtails - Stranded
Color	Putty white
Door, quantity	2
Front Door Type	Single hinged
Growth Configuration	Partially loaded
Interface	SC/APC
Mounting	Wall
Splicing Type	Heat shrink, mass fusion
Total Fibers, quantity	6
Total Ports, quantity	6

FL1-G6JNNNN2-1111N

Dimensions

Height	433 mm 17.047 in
Width	511 mm 20.118 in
Depth	156.97 mm 6.18 in

Outline Drawing



Material Specifications

Finish	Powder coated
Material Type	Steel

Optical Specifications

Fiber Mode	Singlemode
-------------------	------------

Environmental Specifications

Environmental Space	Indoor
Qualification Standards	NEMA type 12

Packaging and Weights

Included	One grounding kit One tie-off adapter
Packaging quantity	1

FL1-G6JNNNN2-1111N

Packaging Type

Bag | Carton

Regulatory Compliance/Certifications

Agency

Classification

CHINA-ROHS

Below maximum concentration value

REACH-SVHC

Compliant as per SVHC revision on www.commscope.com/ProductCompliance

ROHS

Compliant

UK-ROHS

Compliant

