



FACT® Fiber Optic Patch Chassis, gray, 3E high, 144-port, singlemode, holding 6 hinged trays loaded with LC/APC adapters

- Designed for use with the all-purpose all-front-access FACT frames and FIST-GR3 frames supporting up to 2,688 LC or 1,344 SC connections in a single frame (FACT-IC frame 2880 LC or 1440 SC)
- Reduced installation and maintenance time via the toolless snap-on design supporting both interconnect and cross-connect applications
- Flexible customization enabled by 4 chassis types (patch-only, patch-splice, pre-cabled and splice-only) to support all ODF applications
- High density through the single FACT element height (1E) being 30% less tall compared to the industry standard panel height (1HU)

## Product Classification

<b>Regional Availability</b>	Asia   Australia/New Zealand   EMEA   Latin America   North America
<b>Portfolio</b>	CommScope®
<b>Product Type</b>	Fiber patch chassis
<b>Product Brand</b>	FACT®
<b>Product Series</b>	FACT

## General Specifications

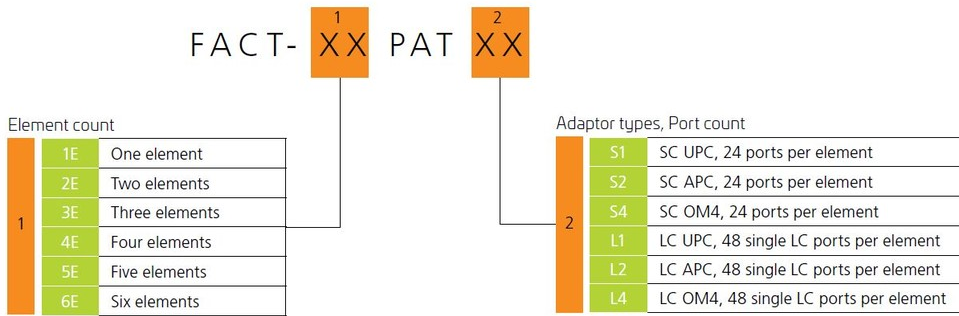
<b>Functionality</b>	Patching
<b>Application</b>	Compatible with FIST-GR3-style frames
<b>Body Style</b>	Symmetrical
<b>Color</b>	Gray
<b>Growth Configuration</b>	Fully loaded
<b>Interface, front</b>	LC/APC
<b>Patch Cord Routing</b>	Left sided   Right sided
<b>Rack Type</b>	EIA 19 in
<b>Rack Units</b>	2.1
<b>Shelf Movement</b>	Sliding
<b>Total Ports, quantity</b>	144
<b>Transmission Standards</b>	ETSI EN 300 019-1-3   IEC 61300-3-30

## Dimensions

# 760239989 | FACT-3EPATL2

<b>Height</b>	92.85 mm   3.656 in
<b>Width</b>	524 mm   20.63 in
<b>Depth</b>	283 mm   11.142 in

## Ordering Tree



## Environmental Specifications

<b>Operating Temperature</b>	-40 °C to +70 °C (-40 °F to +158 °F)
<b>Storage Temperature</b>	-20 °C to +85 °C (-4 °F to +176 °F)
<b>Flammability Rating</b>	UL 94 V-0

## Packaging and Weights

<b>Included</b>	Mounting hardware for FACT frame
<b>Packaging quantity</b>	1
<b>Weight, net</b>	5.5 kg   12.125 lb

## Regulatory Compliance/Certifications

<b>Agency</b>	<b>Classification</b>
CHINA-ROHS	Below maximum concentration value
ISO 9001:2015	Designed, manufactured and/or distributed under this quality management system
REACH-SVHC	Compliant as per SVHC revision on <a href="http://www.commscope.com/ProductCompliance">www.commscope.com/ProductCompliance</a>
ROHS	Compliant
UK-ROHS	Compliant



