



FOSC® 450 C6 Fiber Optic Splice Closure

- Single-ended, O-ring sealed dome closure for splicing feeder and distribution cables
- Gel cable sealing technology allows easy adding or removing of a wide size range of cables
- Compatible with most common cable types: e.g. loose tube, central core, ribbon fiber
- FOSC splice trays hinged for access to any splice without disturbing other trays
- Closure can be used in aerial, pedestal and underground (up to 5 meters) environments
- Compatible with CommScope's CWDM modules and optical splitter trays

Product Classification

| | |
|------------------------------|-----------------------------------|
| Regional Availability | Latin America North America |
| Product Type | Single-ended, round fiber closure |
| Product Brand | FOSC® |
| Product Series | FOSC 450 |

General Specifications

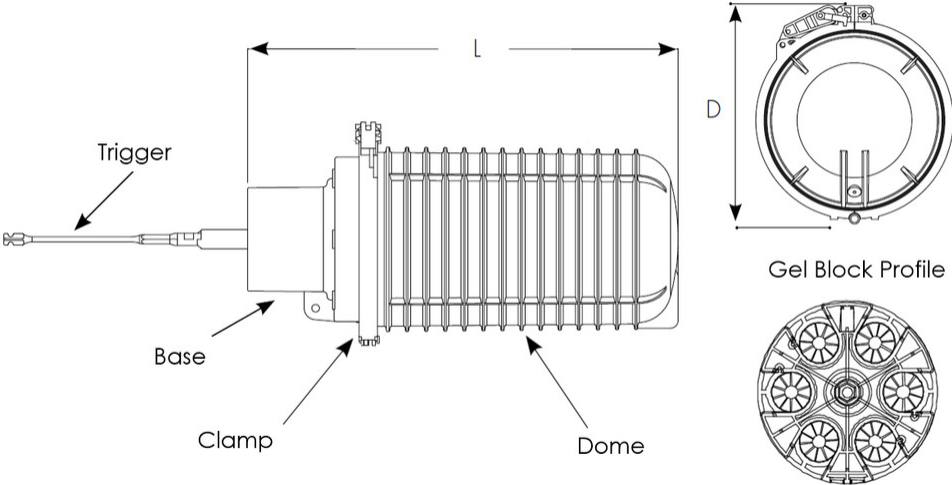
| | |
|---|--------------------------------|
| Cable Entry Drop Port Style | Round |
| Cable Entry Main Port Style | Round |
| Cable Ports Quantity, total | 6 round ports |
| Cable Sealing Type | Compressed gel |
| Closure Sealing Type | Dome-to-base clamp with O-ring |
| Closure Style | Single-ended |
| Color | Black |
| Flash Test Valve | None |
| Ground Feed-through | None |
| Mounting | Pole Strand Wall |
| Network Area Type | Feeder |
| Splice Tray Included, quantity | 6 |
| Splicing Capacity, Mass Fusion, maximum | 864 |
| Splicing Capacity, Single Fusion, maximum | 192 |
| Splicing Capacity, Single Splice, 12 fibers, maximum | 192 |
| Splicing Capacity, Single Splice, 6 fibers, maximum | 96 |
| Splicing Type, Supported | Mass fusion Single fusion |

2N2114-000 | FOSC450-C6-PATCH-24-R

Dimensions

| | |
|-------------------------------------|--------------------|
| Length | 584.2 mm 23 in |
| Diameter | 254 mm 10 in |
| Diameter, with clamp | 292 mm 11.496 in |
| Main Cable Diameter, maximum | 25 mm 0.984 in |

Dimension Drawing



Ordering Tree

2N2114-000 | FOSC450-C6-PATCH-24-R

FOSC 450 - XX - X - XX - X - X X X

Closure Size (inches)

| | |
|----|--|
| A4 | 4 cable entry ports; 8 dia. x 19 long |
| BS | 6 cable entry ports; 9 dia. x 19.5 long |
| B6 | 6 cable entry ports; 10 dia. x 24 long |
| C6 | 6 cable entry ports; 11.5 dia. x 23 long |
| D6 | 6 cable entry ports; 11.5 dia. x 30 long |

Termination Hardware Quantity for the Kit

| | |
|---|---|
| 2 | 2 cable attachments included |
| 4 | 4 cable attachments included |
| 6 | 6 cable attachments included (N/A for A size) |

Capacity and Type of Splice Tray

| | |
|-----|--|
| NT | No tray installed in factory |
| 12 | A, B, or C tray with two SM6 splice modules |
| 24* | A, B, or C tray with two SM12 splice modules |
| 36 | D tray with six SM6 splice modules |
| 72* | D tray with six SM12 splice modules |
| R1 | A, B size ribbon tray (accommodates 12 ribbons/144 fibers) |
| R2 | D size ribbon tray (24 ribbons/288 fibers) |
| R3 | C size ribbon tray (18 ribbons/216 fibers) |
| SF | Stackable single fusion trays (12 splices) |

*Note: SMOUV (1120-01) splice protection sleeves are highly recommended for use with SM12 splice modules.

Quantity of Splice Trays Factory Installed

| | |
|--------------------|---|
| 0 or 1 is standard | Choose either "0" trays (no trays installed) or "1" tray installed. Additional trays sold separately. |
|--------------------|---|

Valve for Flash Testing

| | |
|---|------------------|
| V | Valve (standard) |
| N | No Valve |

Note: We recommend flash test valves for FOSC closures. However, non-valved closures are available upon request.

Number of Ground Feed-through Lugs

| | |
|---|---|
| 0 | No grounding |
| 1 | 1 ground feed-through lug (A4 only, N/A for BS) |
| 3 | 3 ground feed-through lugs (B6, C6, and D6 closures only, N/A for BS) |
| 6 | 6 ground feed-through lugs (C6 and D6 closure only, N/A for BS) |

Note: FEG and MEG kits provide optional ground isolation for FOSC 450 closures.

Slack Basket Type

| | |
|---|---|
| N | No Basket |
| A | A4 Standard Size |
| B | B6, BS Standard Size |
| C | C6 Standard Size |
| D | D6 Standard Size |
| E | Special Bulkhead Basket arrangement for B, BS closures only |
| T | Tall Size |
| S | Stackable Trays in D Closure |

Note: D-size closures with "N" option include backbone used to route ribbons to ribbon trays. A and B-size closures include storage "socks".

Material Specifications

Material Type

Impact-resistant polymer

Environmental Specifications

Environmental Space

Below ground | Buried

Qualification Standards

IEC 61300, 5 m waterhead

Packaging and Weights

Packaging quantity

1

Packaging Type

Box | Carton

Weight, net

7.26 kg | 16.006 lb

Regulatory Compliance/Certifications

Agency

Classification

2N2114-000 | FOSC450-C6-PATCH-24-R

| | |
|---------------|--|
| CHINA-ROHS | Below maximum concentration value |
| ISO 9001:2015 | Designed, manufactured and/or distributed under this quality management system |
| REACH-SVHC | Compliant as per SVHC revision on www.commscope.com/ProductCompliance |
| ROHS | Compliant |
| UK-ROHS | Compliant |

