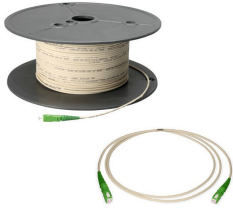


MDC-JJ1H



RealFlex® 3 Fiber Optic Drop Cable Assembly, SC/APC to SC/APC, Indoor /Outdoor Riser Cable, Ivory

- Allow for a fiber bend radius as small as 7.5 millimeters without changing attenuation characteristics, and improve the insertion loss (IL) performance for 90-degree bend locations
- Indoor/outdoor cable available in both riser and plenum cable types for use in residential, business or MDU (multiple dwelling unit) structures

Product Classification

Regional Availability	Latin America North America
Portfolio	CommScope®
Product Type	Fiber drop cable assembly
Product Brand	RealFlex®
Product Series	MDC
Ordering Note	Lengths 1-350 ft are coiled. Lengths 351 ft + are spooled. Lengths under 351' that require a spool will need to include a spool option J at the end of the MID. When "J" option is included in the MID then Connector A will deploy first.

General Specifications

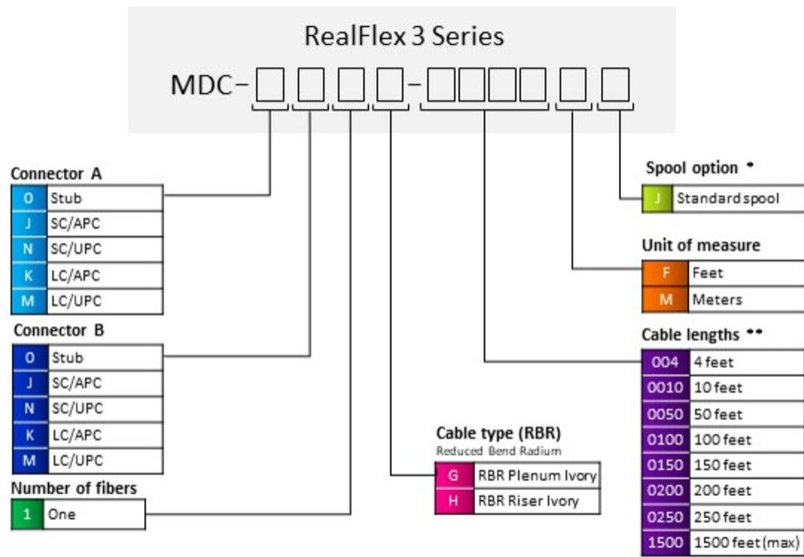
Cable Type	Stapleable - Round
Connector A, quantity	1
Color, boot A	Green
Color, connector A	Green
Connector B, quantity	1
Color, boot B	Green
Color, connector B	Green
Interface, Connector A	SC/APC
Interface Feature, connector A	Male
Interface, Connector B	SC/APC
Interface Feature, connector B	Male
Jacket Color	Ivory
Total Fibers, quantity	1
Transmission Standards	TIA/EIA-568-B.3

MDC-JJ1H

Dimensions

Cable Assembly Length Range (m)	1 – 1000
Cable Assembly Length Range (ft)	1 – 1000
Cable Outer Diameter	2.9 mm (0.11 in)

Ordering Tree



*Drops are automatically coiled 0-350 ft. Lengths 351+ are automatically spooled. Connector A deploys first. Add option J if spool is required for lengths 350ft or less.
**Cable length shown as an example; additional cable lengths available upon request up to 1500 ft

Mechanical Specifications

Minimum Bend Radius, loaded	50 mm 1.969 in
Minimum Bend Radius, unloaded	30 mm 1.181 in

Optical Specifications

Fiber Mode	Singlemode
Fiber Type	G.657.A2/B2
Insertion Loss, maximum, connector A	0.4 dB
Insertion Loss, maximum, connector B	0.4 dB
Return Loss, minimum, connector A	65 dB

MDC-JJ1H

Return Loss, minimum, connector B 65 dB

Environmental Specifications

Installation temperature -20 °C to +60 °C (-4 °F to +140 °F)
Operating Temperature -40 °C to +70 °C (-40 °F to +158 °F)
Storage Temperature -40 °C to +70 °C (-40 °F to +158 °F)
Environmental Space Riser
Jacket UV Resistance UV stabilized
Qualification Standards GR-409

Packaging and Weights

Cable weight 7.9 kg/km | 5.309 lb/kft
Packaging quantity 1

Regulatory Compliance/Certifications

Agency	Classification
CHINA-ROHS	Above maximum concentration value
REACH-SVHC	Compliant as per SVHC revision on www.commscope.com/ProductCompliance
ROHS	Compliant/Exempted
UK-ROHS	Compliant/Exempted

