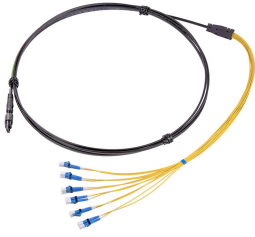


# MHBD-MOAI1A



Hardened Multifiber Optical Connector (HMFOC) cable assembly, HMFOC jack to 6 LC Duplex, 12-fiber

- \*Product complies with the Build America, Buy America Act (BABAA) requirements of the Infrastructure Investment and Jobs Act of 2021 (Pub. L. 117- 58, §§ 70901-70953), or is the subject of a waiver approved by the Secretary of Commerce or designee. Compliance requirements and waiver applicability vary based on government funding program. Check the laws and regulations for your specific program.

## Product Classification

<b>Regional Availability</b>	Asia   Latin America   North America
<b>Product Type</b>	Fiber drop cable assembly
<b>Product Series</b>	MHBD
<b>Government Requirements</b>	Build America Buy America (BABA) compliant*
<b>Ordering Note</b>	For custom cable assembly lengths, please contact your local CommScope representative

## General Specifications

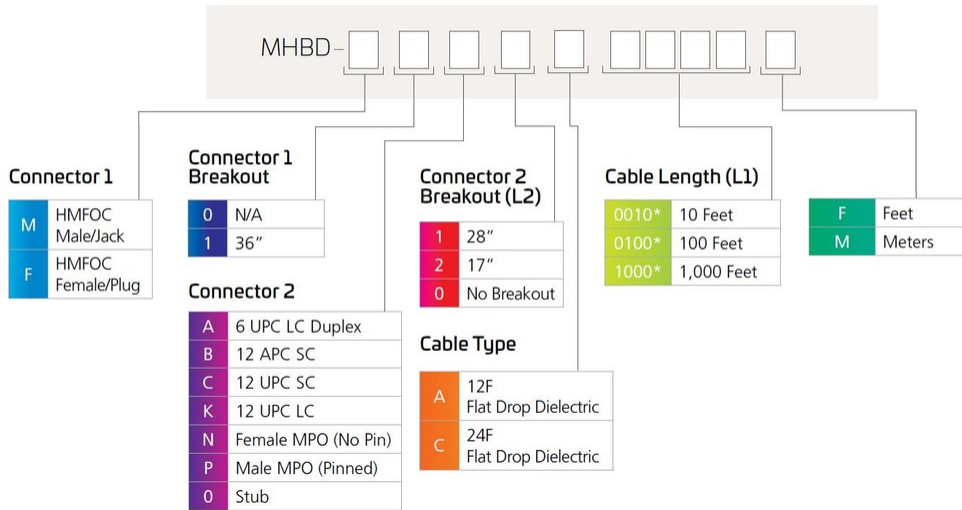
<b>Cable Type</b>	Dielectric - Flat
<b>Connector A, quantity</b>	1
<b>Color, boot A</b>	Black
<b>Color, connector A</b>	Black
<b>Connector B, quantity</b>	6
<b>Color, boot B</b>	Blue
<b>Color, connector B</b>	Blue
<b>Interface, Connector A</b>	Hardened multi-fiber (HMFOC) jack
<b>Interface Feature, connector A</b>	Male
<b>Interface, Connector B</b>	LC/UPC
<b>Interface Feature, connector B</b>	Duplex
<b>Jacket Color</b>	Black
<b>Location of Manufacturing</b>	Catawba, North Carolina
<b>Total Fibers, quantity</b>	12

## Dimensions

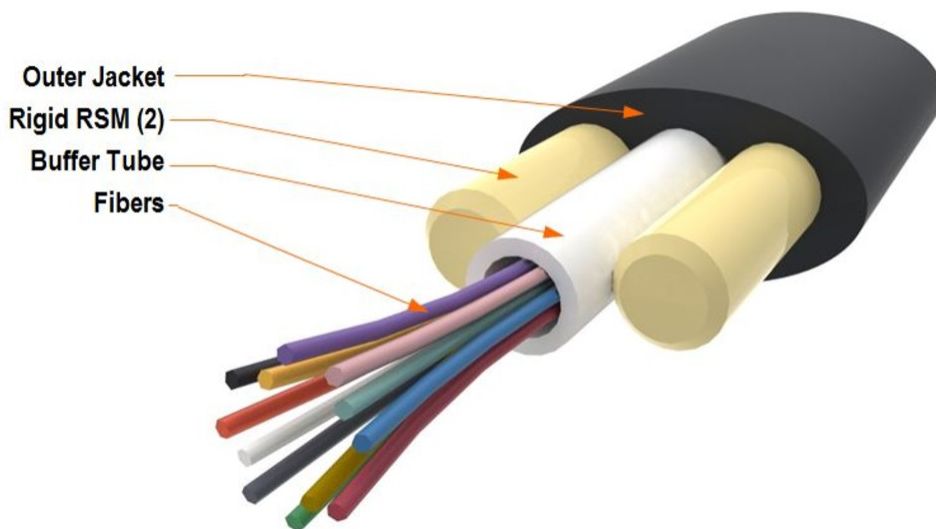
# MHBD-MO1A

<b>Breakout Length, connector B</b>	711.2 mm   28 in
<b>Cable Assembly Length Range (m)</b>	1 – 900
<b>Cable Assembly Length Range (ft)</b>	10 – 1000
<b>Cable Outer Diameter</b>	4.5 x 8.0 mm (0.18 x 0.31 in)

## Ordering Tree



## Representative Image



# MHBD-M0A1A

---

## Mechanical Specifications

**Minimum Bend Radius, loaded** 88.9 mm | 3.5 in

**Minimum Bend Radius, unloaded** 63.5 mm | 2.5 in

## Optical Specifications

**Fiber Mode** Singlemode

**Fiber Type** G.657.A2, TeraSPEED®

**Insertion Loss, maximum, connector A** 0.45 dB

**Insertion Loss, maximum, connector B** 0.4 dB

**Return Loss, minimum, connector A** 65 dB

**Return Loss, minimum, connector B** 55 dB

## Environmental Specifications

**Installation temperature** -30 °C to +70 °C (-22 °F to +158 °F)

**Operating Temperature** -40 °C to +70 °C (-40 °F to +158 °F)

**Storage Temperature** -40 °C to +75 °C (-40 °F to +167 °F)

**Environmental Space** Outdoor, buried

**Jacket UV Resistance** UV stabilized

## Packaging and Weights

**Packaging quantity** 1