

# HTT-B2AK000000N000



## NOVUX™ Prodigy™ Hardened Tap Terminal, 70/30, 10 dB, One Input port, 2 drop ports and one Through port, Stubless

- NOVUX™ Hardened Multi-fiber Terminals incorporate hardened connector technology that is designed to withstand the rugged outside plant environment
- Hardened connectors are factory-integrated and environmentally sealed for use in optical drop cable deployments
- Plug-and-play adapter ports ensure rapid cable installment in the outside plant access section of the network
- NOVUX™ Prodigy™ HTT Tap terminals are available in 2-port, 4-port and 8-port models, depending on the number of drop ports required. Each model is available with a range of tap values depending on how much optical power should be dropped off at each location
- HTT tap terminals are stubless with a Prodigy™ Input port and a Through Port for non-terminating taps
- NOVUX™ Prodigy™ smaller terminal size for aesthetics and allowing installation in constrained spaces
- NOVUX™ Prodigy™ terminals are available in Black (RAL# 9005) or Gray (RAL# 7035)
- CommScope Product ID plate with QR code link to product documents and C-Track

## Product Classification

|                               |   |
|-------------------------------|---|
| <b>Regional Availability</b>  | Asia   EMEA   Latin America   North America |
| <b>Product Type</b>           | Access terminal, with tap                   |
| <b>Product Brand</b>          | NOVUX™                                      |
| <b>Product Series</b>         | HTT   |
| <b>Minimum Order Quantity</b> | 1   |

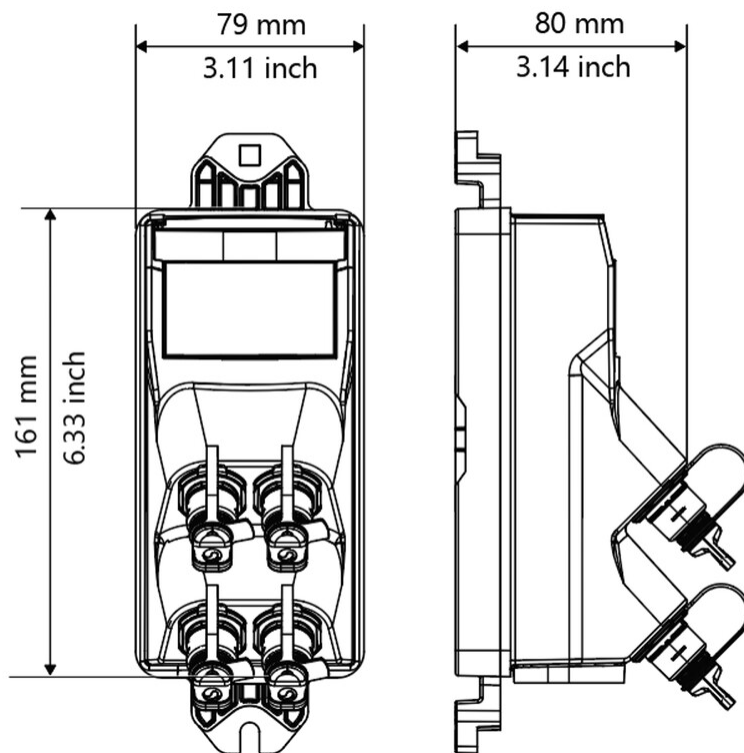
## General Specifications

|                               |                                     |
|-------------------------------|-------------------------------------|
| <b>Cable Type</b>             | No cable (stubless)                 |
| <b>Distribution Type</b>      | 2-port tap                          |
| <b>Drop Port Type</b>         | Hardened Prodigy SC/APC             |
| <b>Enclosure Color</b>        | Black (RAL 9005)                    |
| <b>Forward Port Type</b>      | Hardened Prodigy SC/APC             |
| <b>Forward Port, quantity</b> | 1                                   |
| <b>Input Tap, quantity</b>    | 1                                   |
| <b>Mounting</b>               | Handhole   Pedestal   Pole   Strand |
| <b>Port Type</b>              | Hardened Prodigy SC/APC             |
| <b>Split Ratio</b>            | 70/30                               |

# HTT-B2AK000000N000

|                            |                      |
|----------------------------|----------------------|
| <b>Stub Type</b>           | No tail              |
| <b>Tap Ports, quantity</b> | 2                    |
| <b>Thru Tap, quantity</b>  | 1                    |
| <b>Dimensions</b>          |                      |
| <b>Height</b>              | 80 mm   3.15 in      |
| <b>Width</b>               | 78.94 mm   3.108 in  |
| <b>Length</b>              | 161.42 mm   6.355 in |

## Dimension Drawing



## Ordering Tree



# HTT-B2AK000000N000

---

|   |                |
|---|----------------|
| <b>Operating Wavelength Range</b>               | 1260 – 1635 nm |
| <b>Attenuation Terminal Connectors, maximum</b> | 0.4 dB         |
| <b>Tap Drop Loss, maximum</b>                   | 10.6 dB        |
| <b>Tap Thru Loss, maximum</b>                   | 2.8 dB         |
| <b>Tap Value</b>                                | 10 dB          |

## Environmental Specifications

|                                |  |
|--------------------------------|--|
| <b>Operating Temperature</b>   | -40 °C to +65 °C (-40 °F to +149 °F)   |
| <b>Relative Humidity</b>       | 5%–100%, condensing  |
| <b>Environmental Space</b>     | Above ground   Below ground  |
| <b>Qualification Standards</b> | IEC 60529, IP68 + 2 m waterhead   IEC 61753-1, category G   Telcordia GR-771-CORE, Issue 2 |
| <b>UV Resistance</b>           | UV stabilized  |

## Packaging and Weights

|                           |     |
|---------------------------|-----|
| <b>Packaging quantity</b> | 1   |
| <b>Packaging Type</b>     | Box |

## Regulatory Compliance/Certifications

| <b>Agency</b> | <b>Classification</b>  |
|---------------|--|
| CHINA-ROHS    | Below maximum concentration value  |
| ISO 9001:2015 | Designed, manufactured and/or distributed under this quality management system   |
| REACH-SVHC    | Compliant as per SVHC revision on <a href="http://www.commscope.com/ProductCompliance">www.commscope.com/ProductCompliance</a> |
| ROHS          | Compliant  |
| UK-ROHS       | Compliant  |

