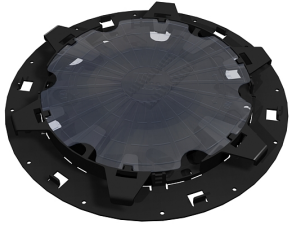


FST-SPLICE-WHEELS



FST Fiber Optic Splice Wheel

The round splice wheels offer great modularity and future growth planning capabilities for several productlines such as:

NGF
OMX
FL2000
FDH 3000

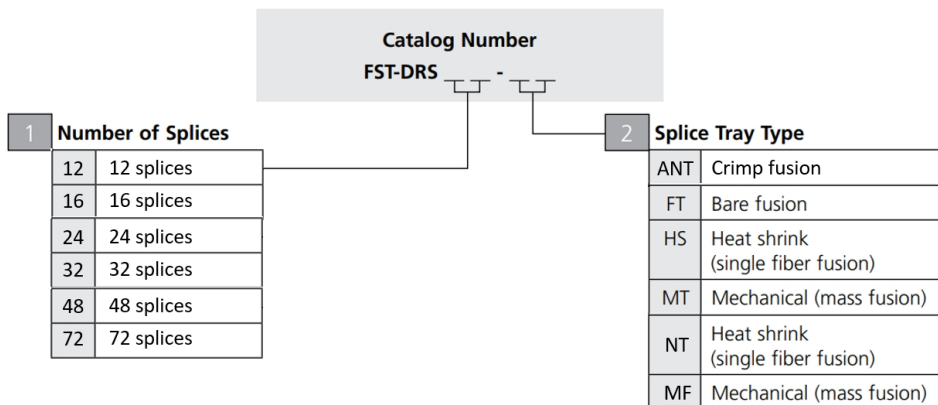
Product Classification

Regional Availability	EMEA Latin America North America
Portfolio	CommScope®
Product Type	Fiber splice tray
Product Series	FDH 3000 FL2000 NGF OMX

General Specifications

Application	For use with FDH 3000 cabinets For use with FL2000 panels For use with NGF combo blocks For use with OMX splicing blocks
Color	Black
Splicing Type	Heat shrink, single fiber fusion Mass fusion

Ordering Tree



FST-SPLICE-WHEELS

Environmental Specifications

Operating Temperature -40 °C to +85 °C (-40 °F to +185 °F)

Packaging and Weights

Packaging quantity 1