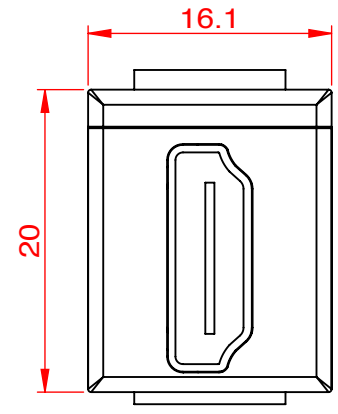
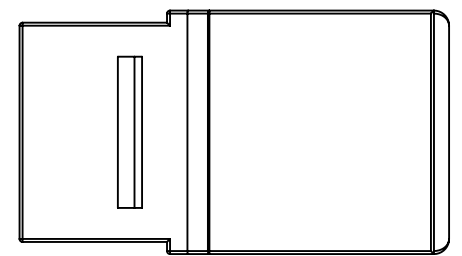
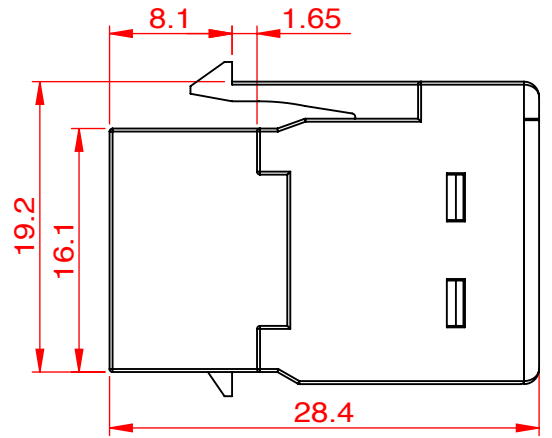
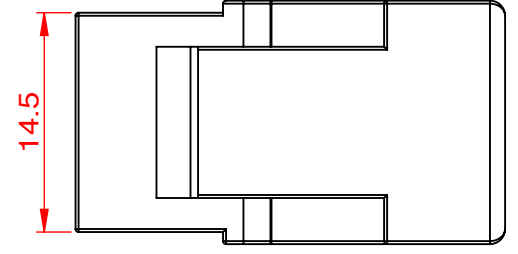
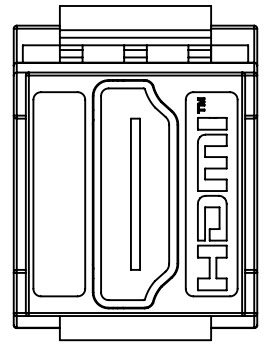
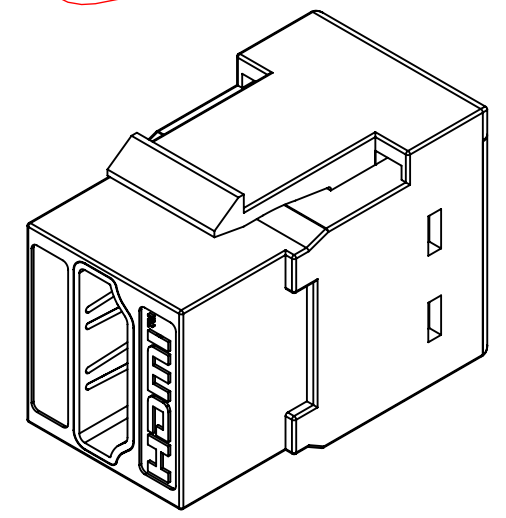
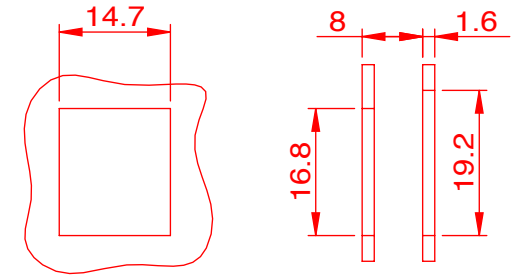


AA



SUGGESTED MOUNTING CUTOUT



56Y4
E145249



COMMUNICATION
CIRCUIT ACCESSORIES

MATERIAL

HDMI HOUSING : PC,UL94V-0.
CONNECTOR : HDMI 19PIN FEMALE SPINT TYPE,PIN GOLD PLATED 15u ON CONTACT
AREA SEE(AA),SHELL GOLD FLASH PLATED,BLACK INSULATION.

PHYSICAL CHARACTERISTICS

OPERATING TEMPERATURE RANGE : -10°C TO 60°C.
STORAGE TEMPERATURE RANGE : -40°C TO 68°C.
HUMIDITY : 10%~90%RH.

ELECTRICAL

VOLTAGE : 500V .
INSULATION : 10M .
CONDUCTION : 2 ohms.

Scale		2:1		All Copy Rights Reserved	
3rd Angle Projection				REV DATE 9/27/2013 JENNIFER	
Unit		mm		SCP PART #	
Date		2013/3/26		251-WT	
Tolerance					
~20	~50	~150	150~	ANGLE	
±0.2	±0.4	±0.5	±1.5	±2°	
Drawn by				Checked by	
BORUEI					