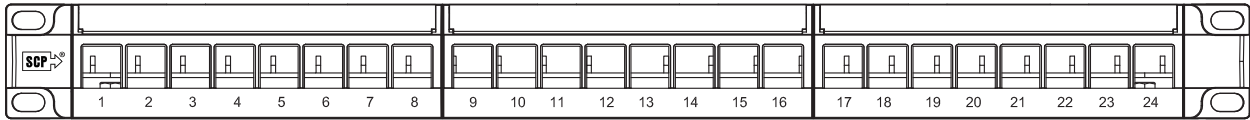




**SCP Part No. 324UM**

Premium Unloaded Modular 24 Port Unshielded Keystone Patch Panel, 1RU, (3) Front Loadable 8-Port Modular Bezels w/Nylon Clip Cable Mgt Bracket, Keystone Jacks Sold Separately- Black - 1 ea/Box

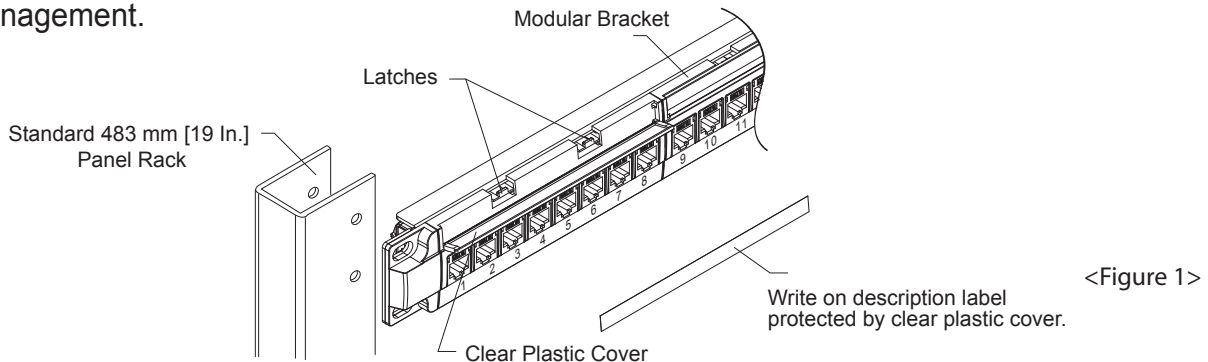
## MODULAR JACK PANEL CABLING INSTRUCTIONS



Front View

### 1. INTRODUCTION

This guide sheet contains all the installation procedures about UTP Empty Panel. Any 19" (483mm) wide equipment rack or standing/ wall mounting equipment cabinet as shown in Figure 1 can simply accommodate this optimum panel. High density designed panel accepts up to 24 unshielded single RJ45 connection modules and brings optimum use of a 1U Panel. Front loadable module bracket is ideal for installation as well as for maintenance. Port designation paper with clear cover provides clean and clear port identification. Panel supplied with back cable management for neat and easy cable routing management.



<Figure 1>

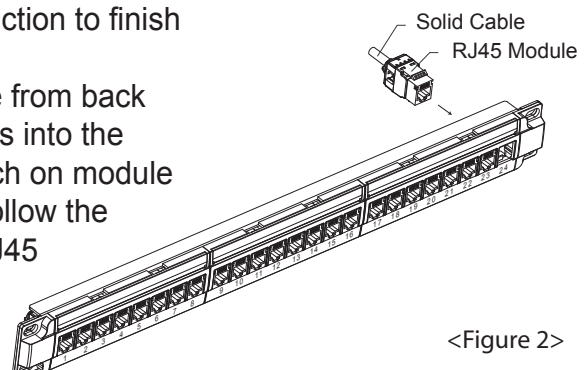
### 2. DESCRIPTION

This 19" 24-Port UTP empty panel provides 24-port openings for RJ45 modules or Multimedia Snap-In Modules.

Each panel includes labeling sheet, clear plastic covers, cable management bar with Nylon Clip.

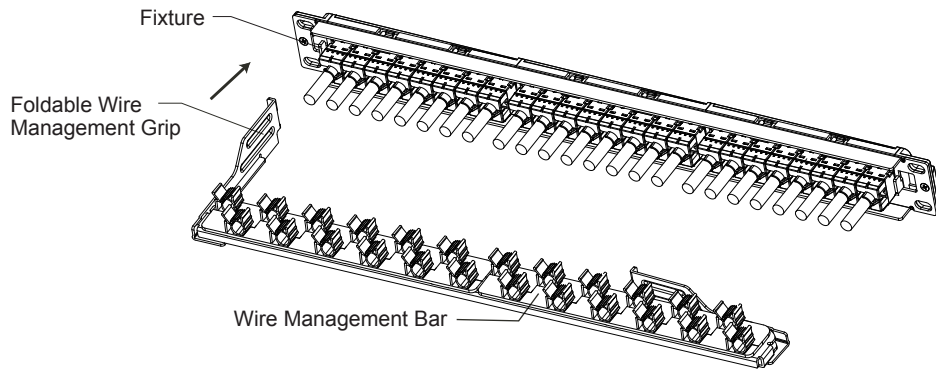
### 3. INSTALLATION

- 3.1 Mount the panel to the desired position on a 19" ready rack or equivalent as shown in Figure 1.
- 3.2 Follow the RJ45 module's installation instruction to finish cable termination on each RJ45 modules.
- 3.3. Position the cable assembled RJ45 module from back of panel and then snap in the RJ45 modules into the RJ45 window all the way down until the latch on module is locked to panel as shown in Figure 2. Follow the installation in sequence until all required RJ45 modules are installed.



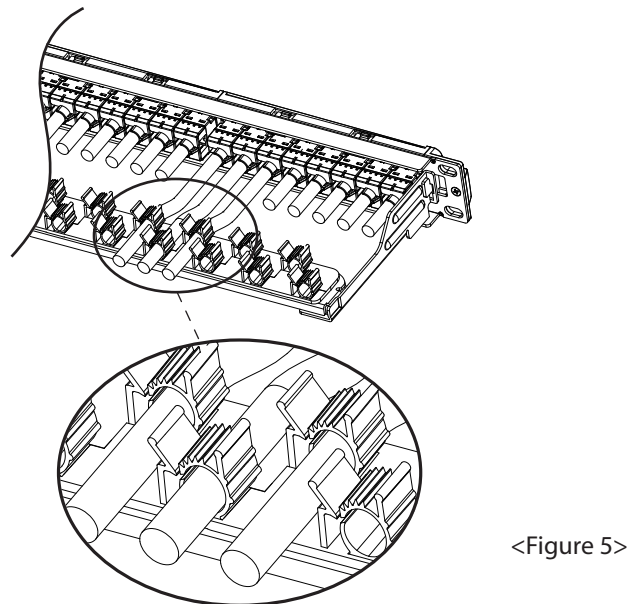
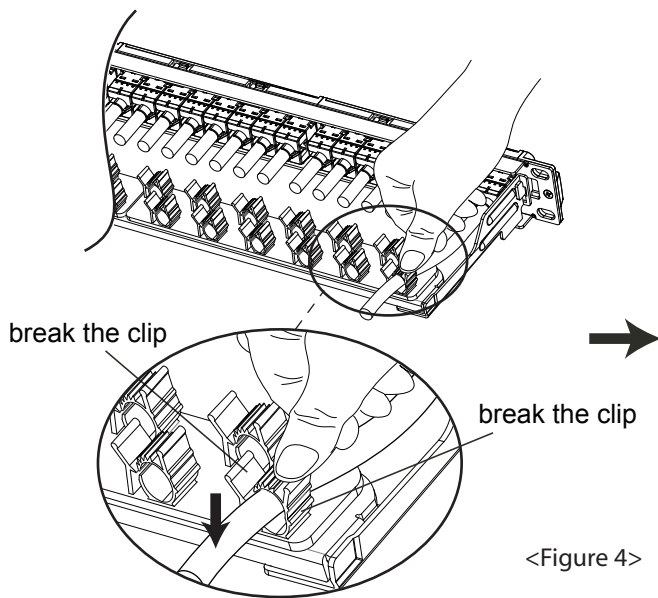
<Figure 2>

4. Expand the Foldable Wire Management Grip, hook the grips into fixture at both ends of the patch panel.



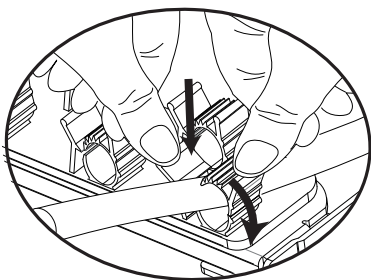
<Figure 3>

5. Break the clip, place the cable on desired Nylon clip position. <Figure 4>  
Push the clip to fasten cable. <Figure 5>



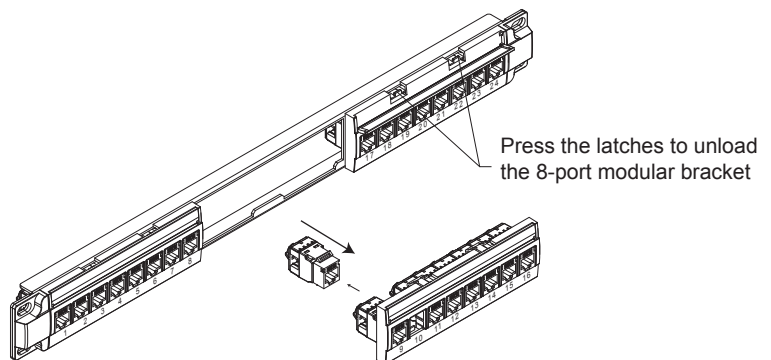
## 6. MAINTENANCE/ RJ45 MODULES UNLOADING

6.1 Break the clip to take off the cable from clip



<Figure 6>

6.2 Use flat screw driver to pry and take off RJ45 module from the bracket.



<Figure 7>