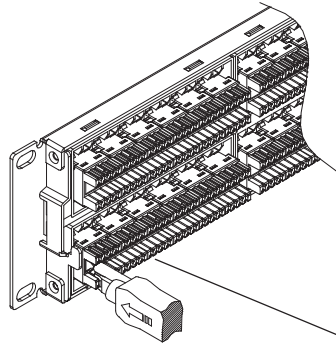




SCP Part No. 348U

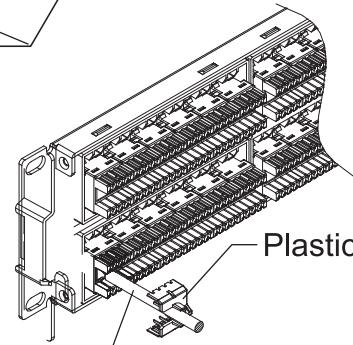
4UNLOADED 48 PORT UNSHIELDED PATCH PANEL w/CABLE MANAGEMENT- FOR UTP CABLES- USE WITH RJ45 KEYSTONE JACKS- BLACK - 1 EA/BOX

MODULAR JACK PANEL CABLING INSTRUCTIONS



5	4	A	6	3
5	4	B	6	3
8	7	B	1	2
8	7	A	1	2

1. Punch down cables to Krone/110 IDC Connector according to TIA568A/B wiring instruction label.

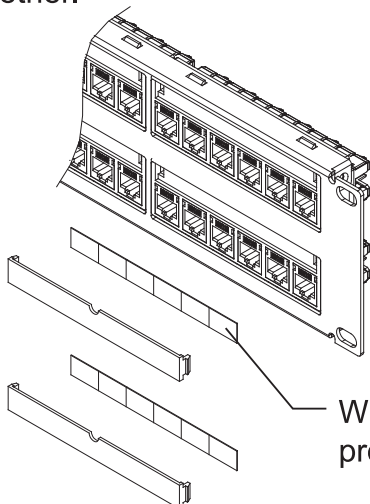


Plastic Cap

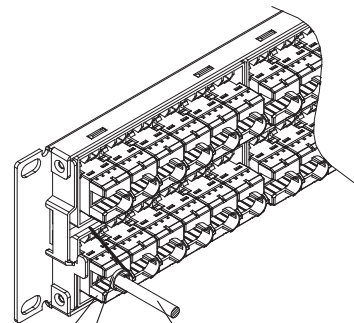
2. Take plastic cap through the solid cable to cover the keystone jack IDC.

Solid Cable

3. Insert the provided cable tie through the plastic cap and group this installed cable together.



Write on description label protected by clear plastic cover.

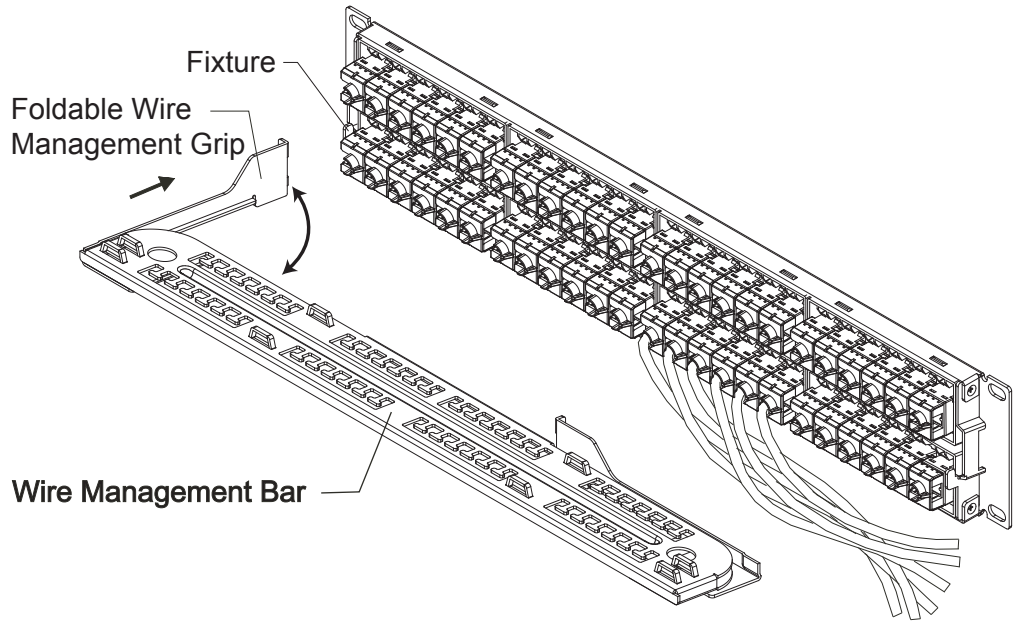


Plastic Cap

Solid Cable

Cable Tie

4. Expand the Foldable Wire Management Grip, slide the grips into fixture at both ends of the patch panel.



5. Fix the Solid Cables to the Cable Fixture Hole by Cable Ties

